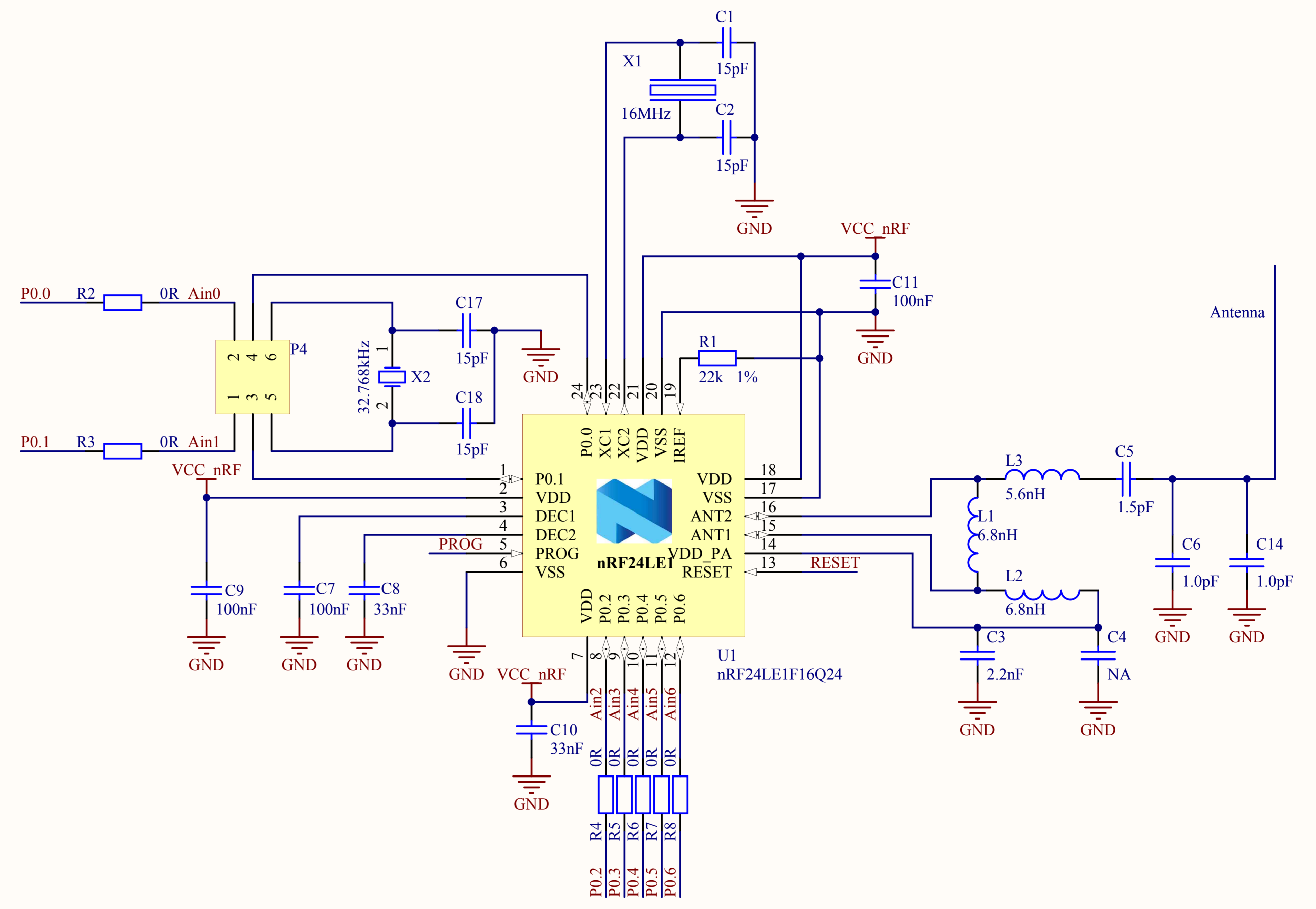
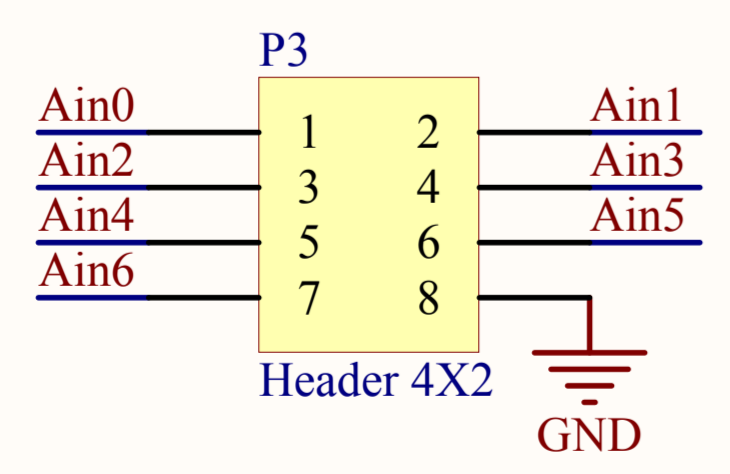
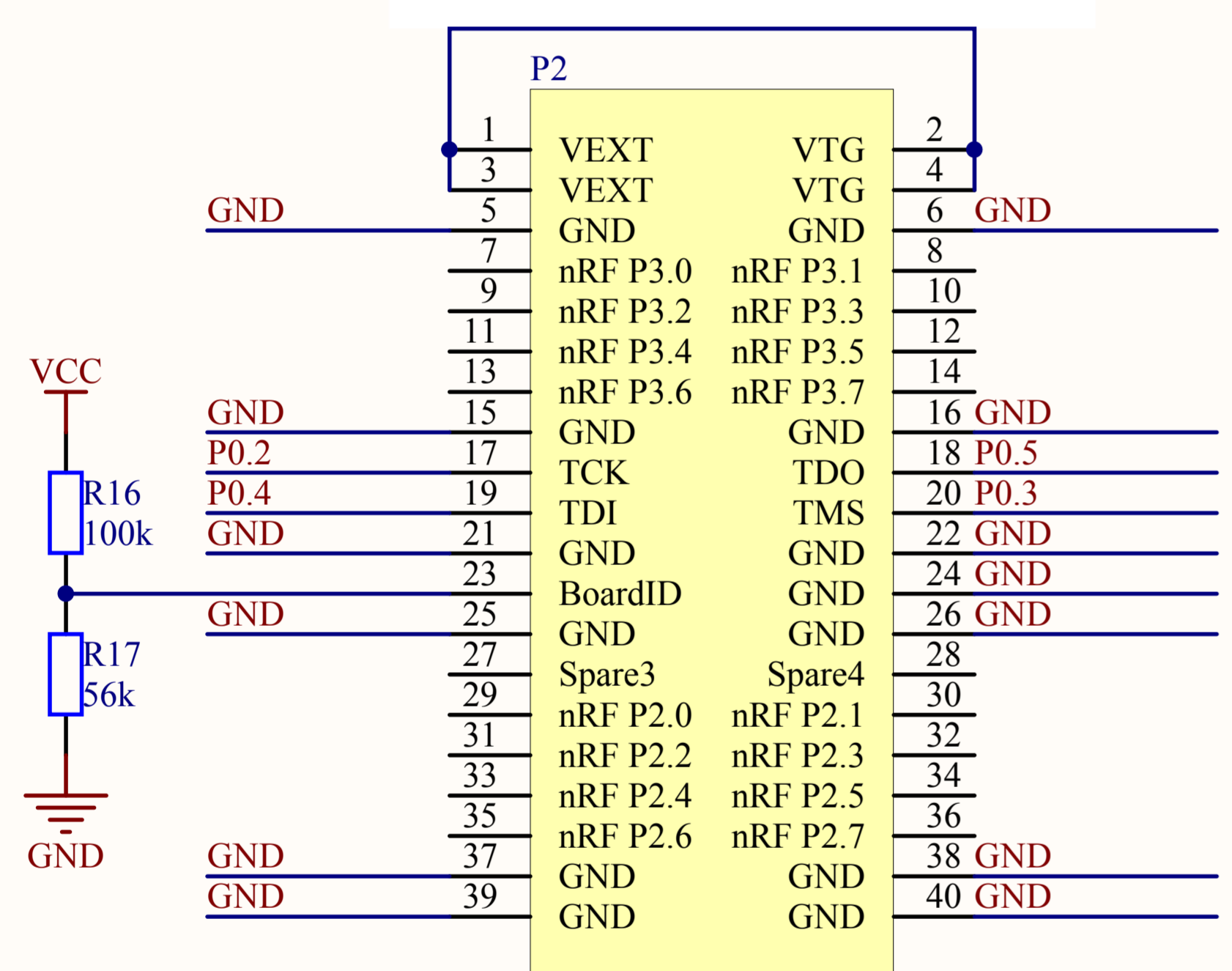
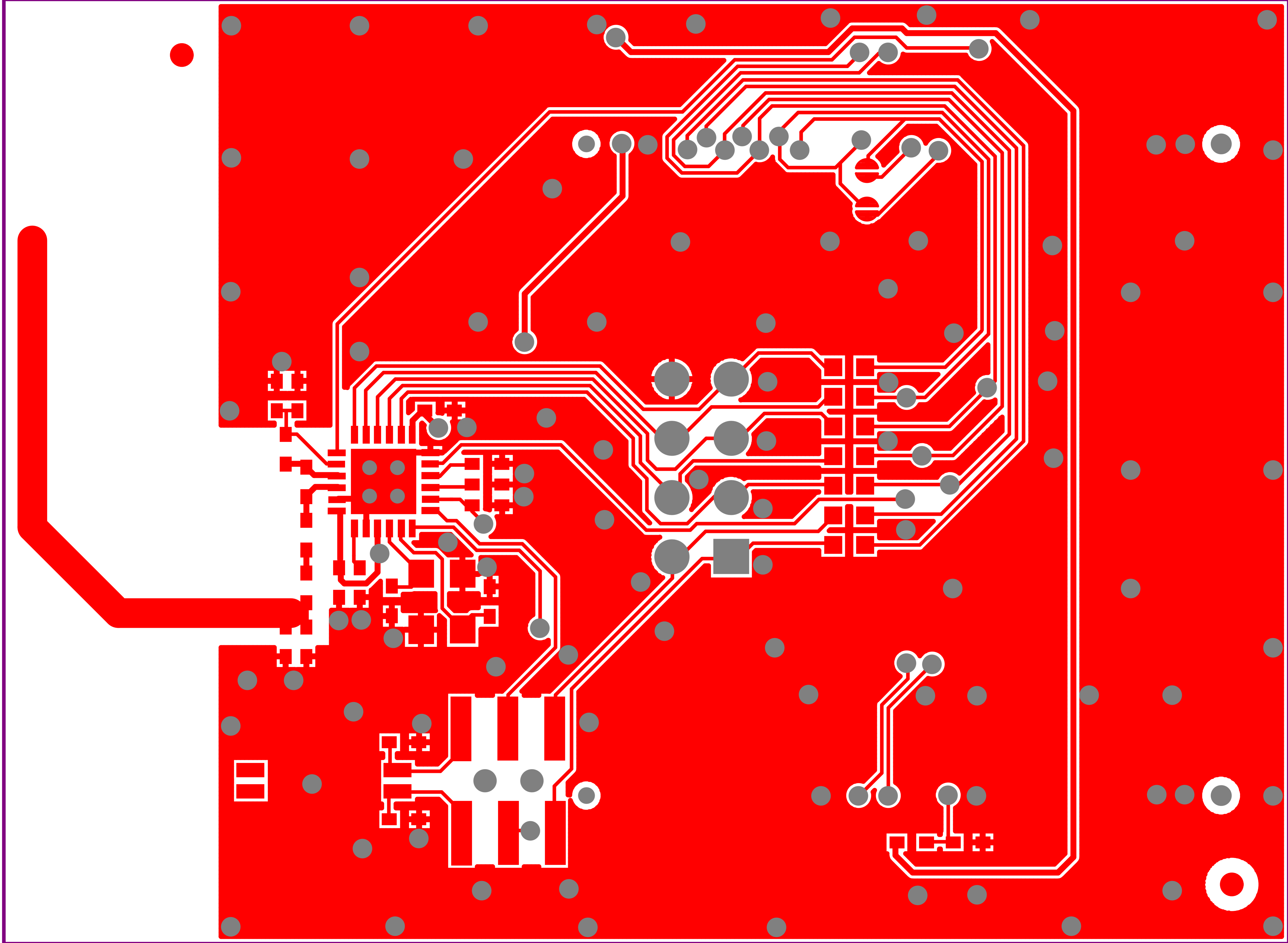
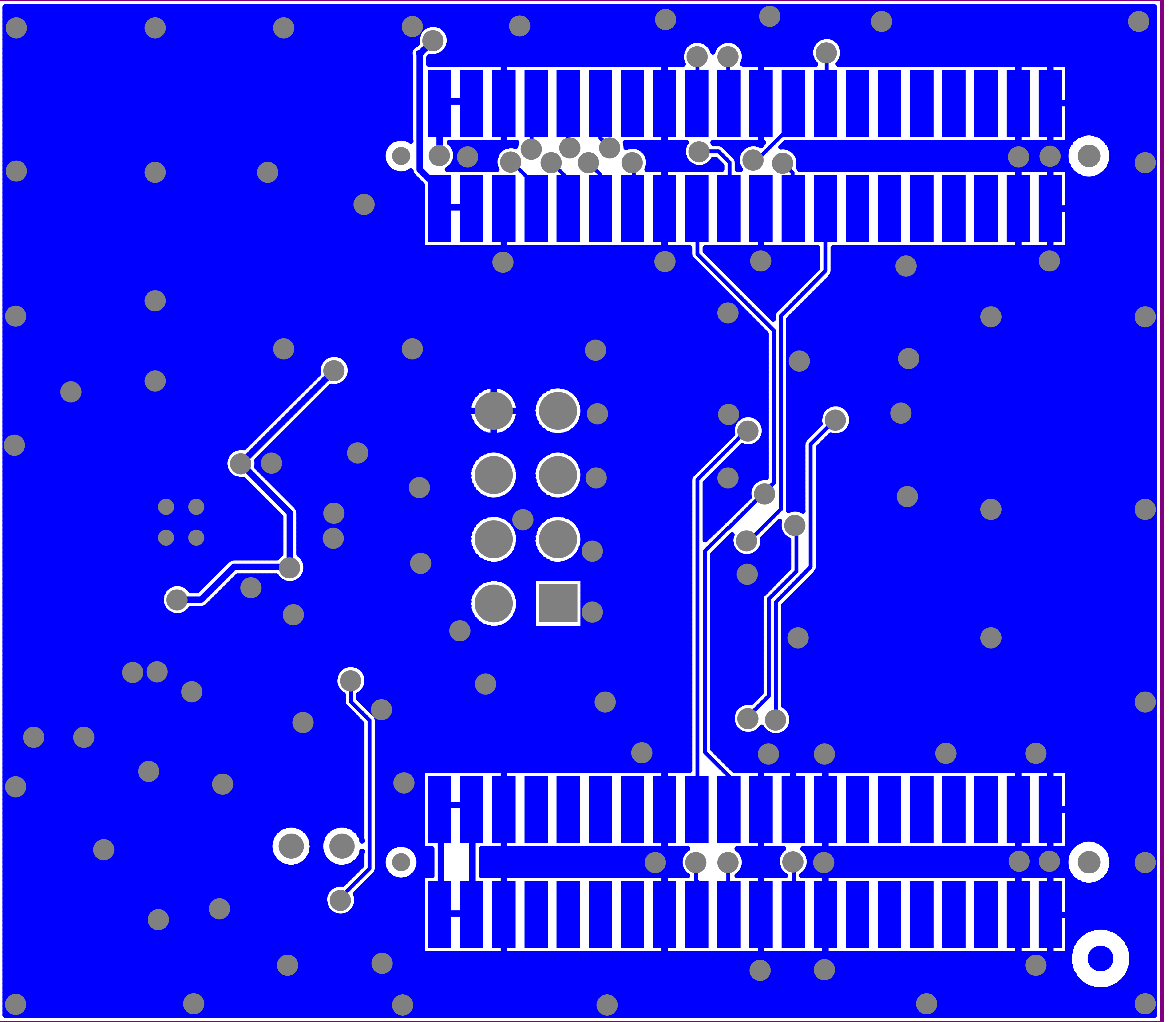
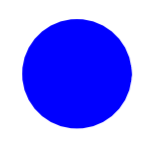


VTG is connected to VEXT to supply the nRF6310 level shifters with the correct voltage



Title nRF2724 - nRF24LE1 4x4mm PCB Antenna Radio Module			
Size	Project Number	Revision 2.0	
Date: 13.08.2009	Sheet 1 of 1		Drawn By: KJO/ER
File: nRF2724 rev2_0.SchDoc			

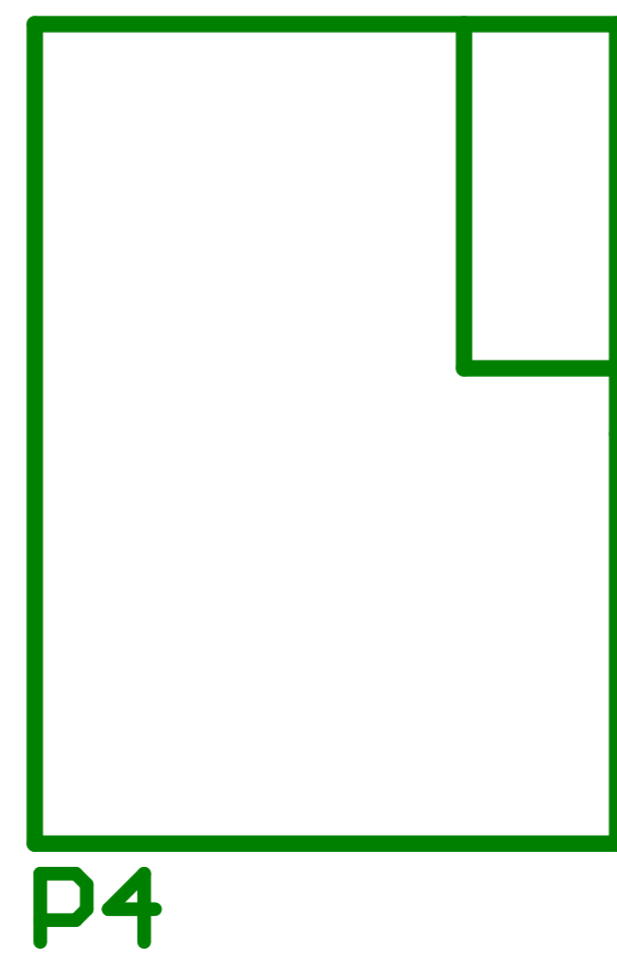
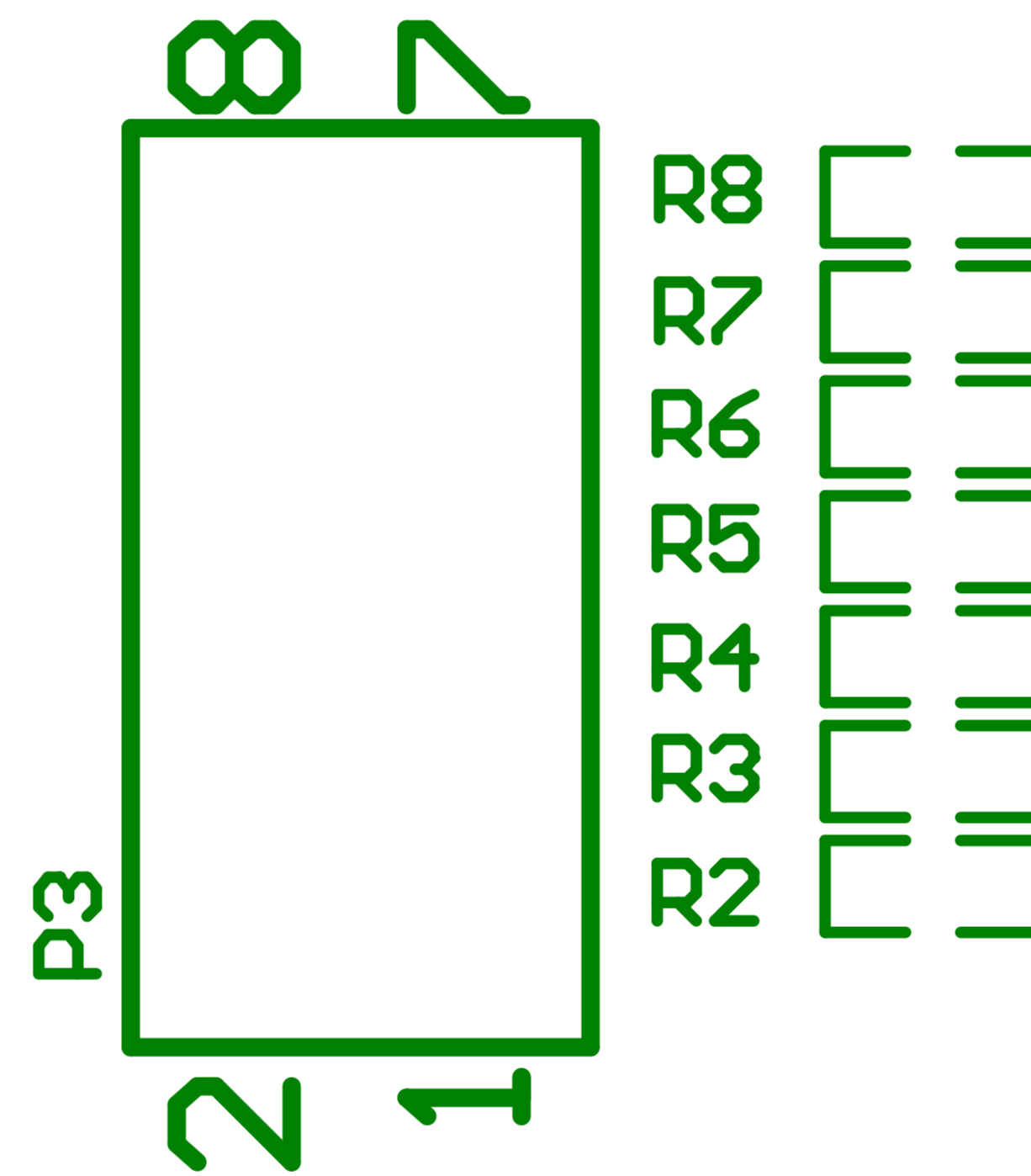
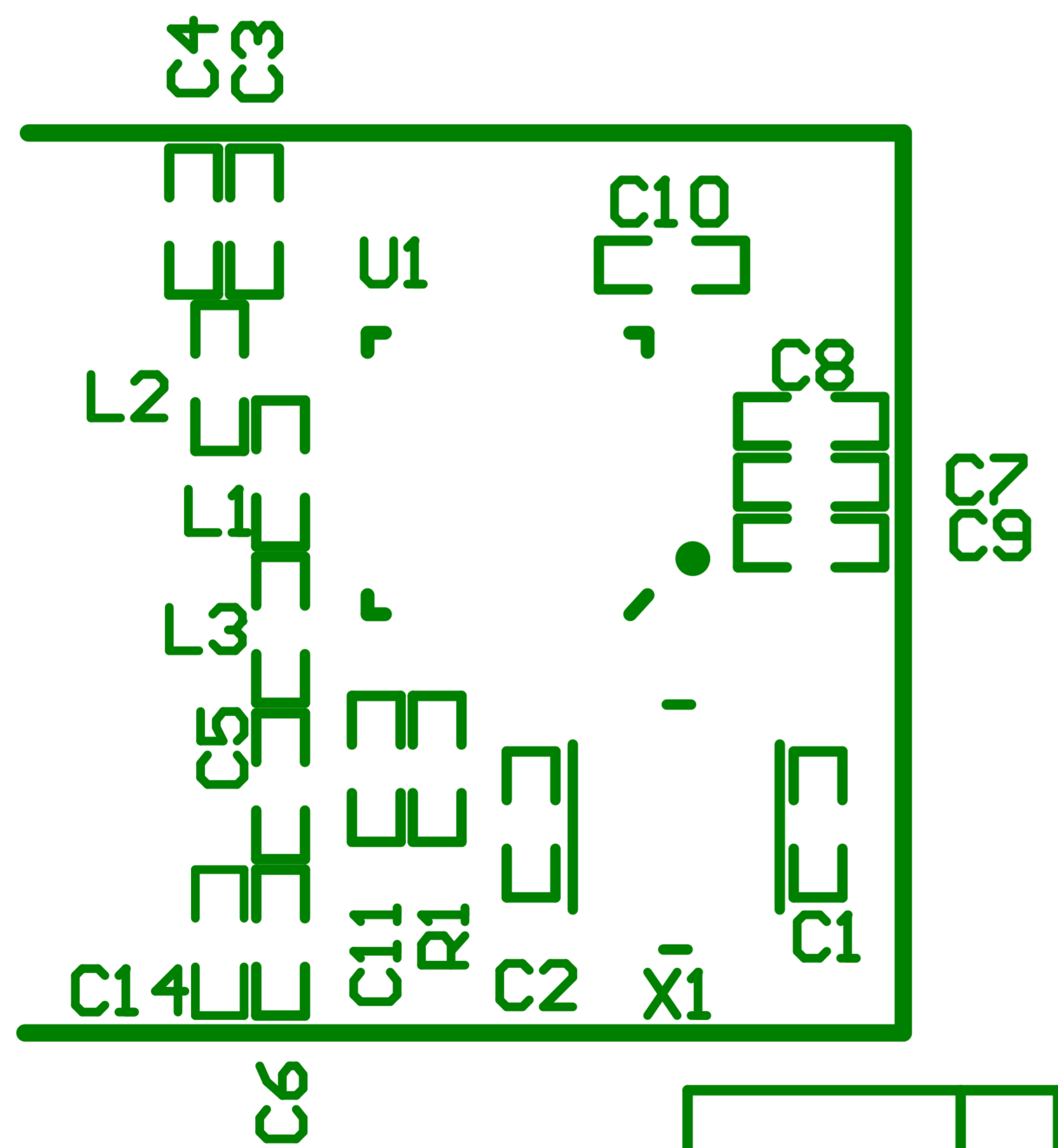




LABEL

nRF2724

SB2 SDA
SB1 SCL



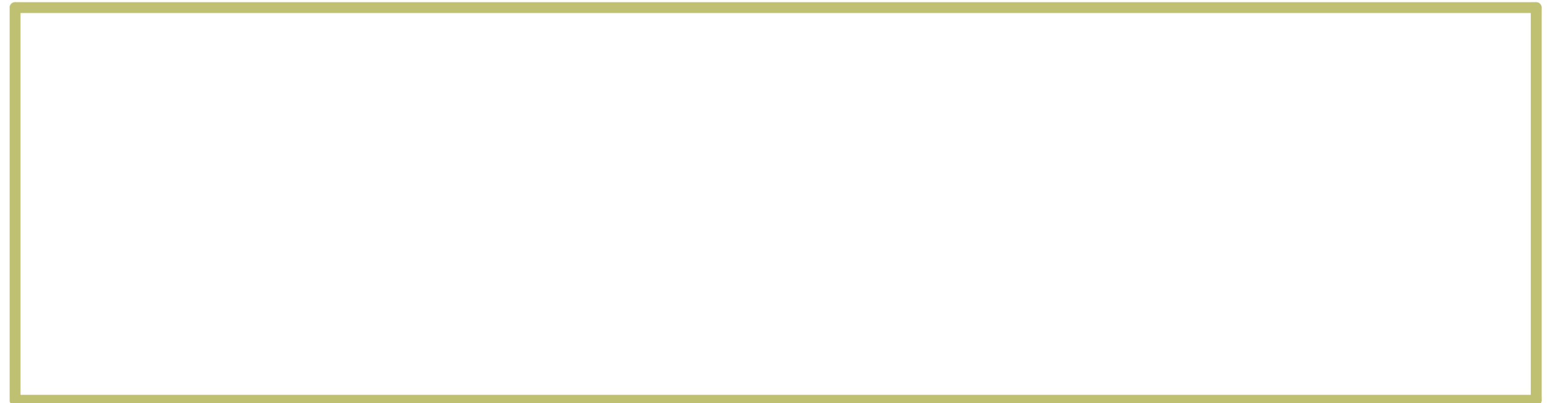
nRFGo



P1

An empty rectangular box with a thin black border, positioned to the right of the label 'P1'. It is intended for a drawing or diagram.

P2

An empty rectangular box with a thin black border, positioned to the right of the label 'P2'. It is intended for a drawing or diagram.

