

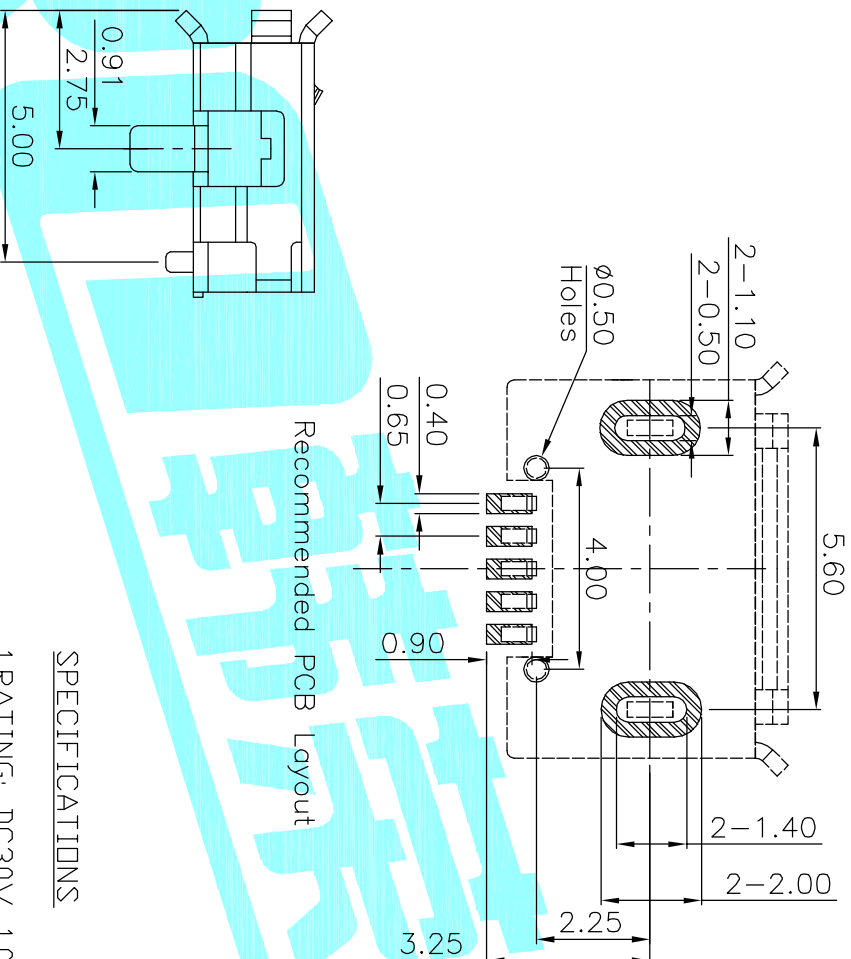
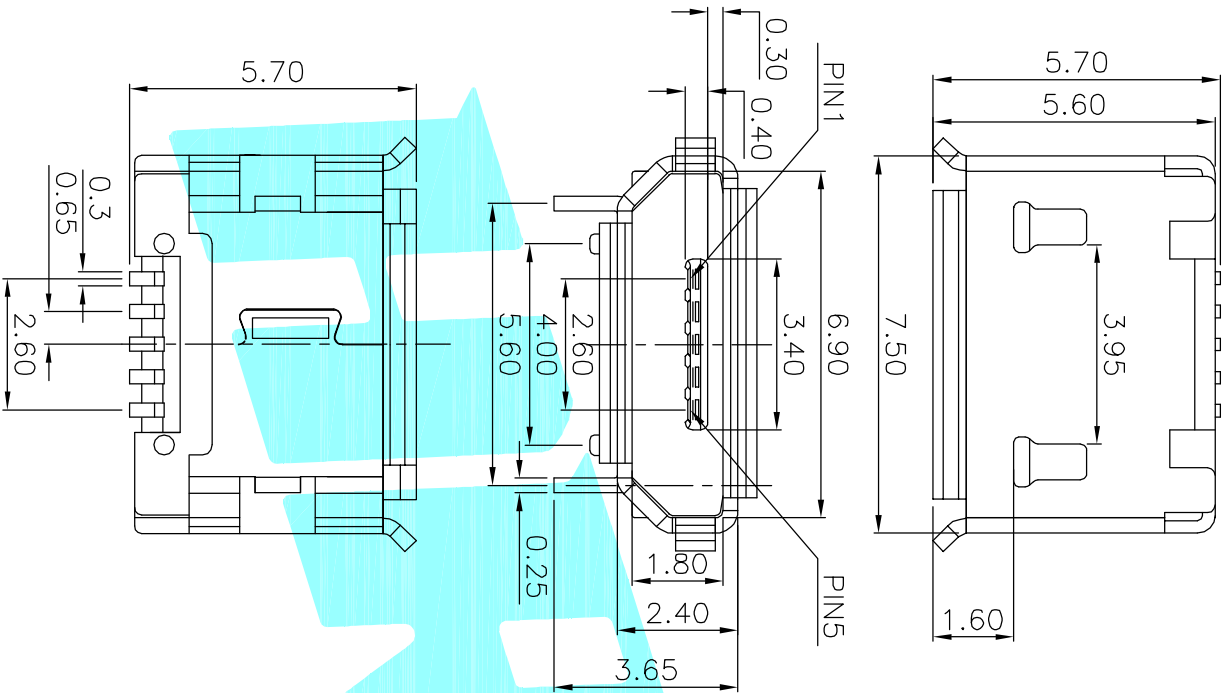
SPECIFICATIONS

- 1.RATING: DC30V 1.0A
- 2.MECHANICAL LIFE: 10,000 CYCLES.
- 3.PACKAGING: 1000PCS/REEL

ITEM	PART NAME	TER'NO.	QTY.	MATERIAL	FINISHING	REMARK
③	Shell	—	1	Phosphor Bronze	Sn Plated	
②	Contact	—	5	Phosphor Bronze	Au Plated	
①	Housing	—	1	LCP	Black	

APPROVALS		DATE	TITLE:	
DRAWN	JKUN.LU	2014/9/29	USB CONNECTOR	
CHECKED			ELECTRONICS CO.,LTD	

ECN NO.	REV.	DATE.	DESCRIPTION.	CHANGE.	CHECK.	APPRO.	TOLERANCES ARE	ANGLE	UNIT:	SCALE:	PROJ:	SHEET
	A		NEW				30~0.125 10~0.30 5~0.10 ~5	±0.30 ±0.25 ±0.20 ±0.15	mm	1:1	U-F-MSDW-Y-4	1 OF 1



SPECIFICATIONS

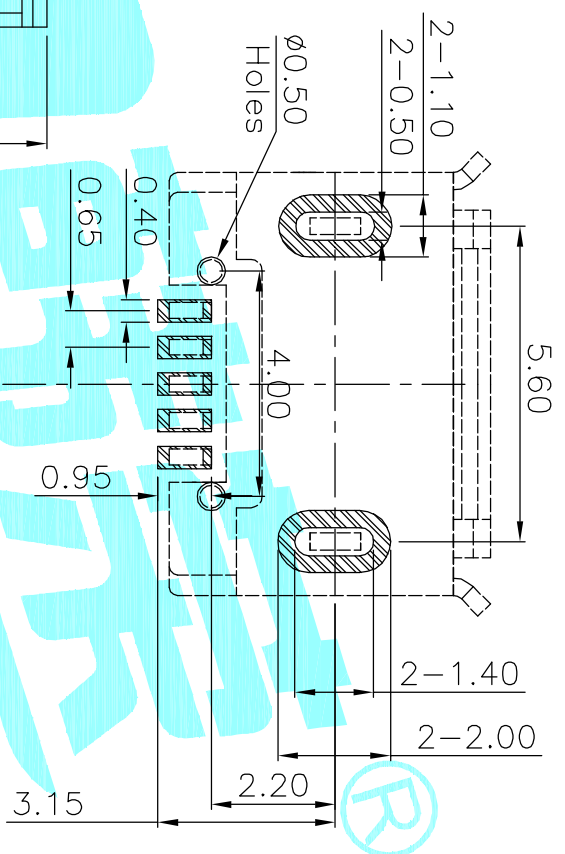
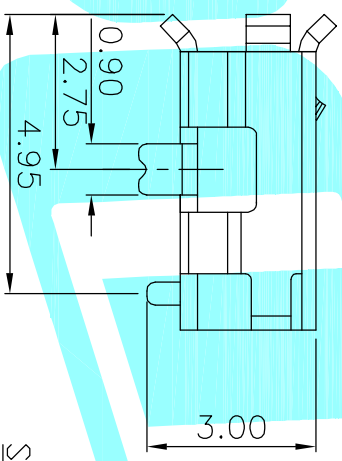
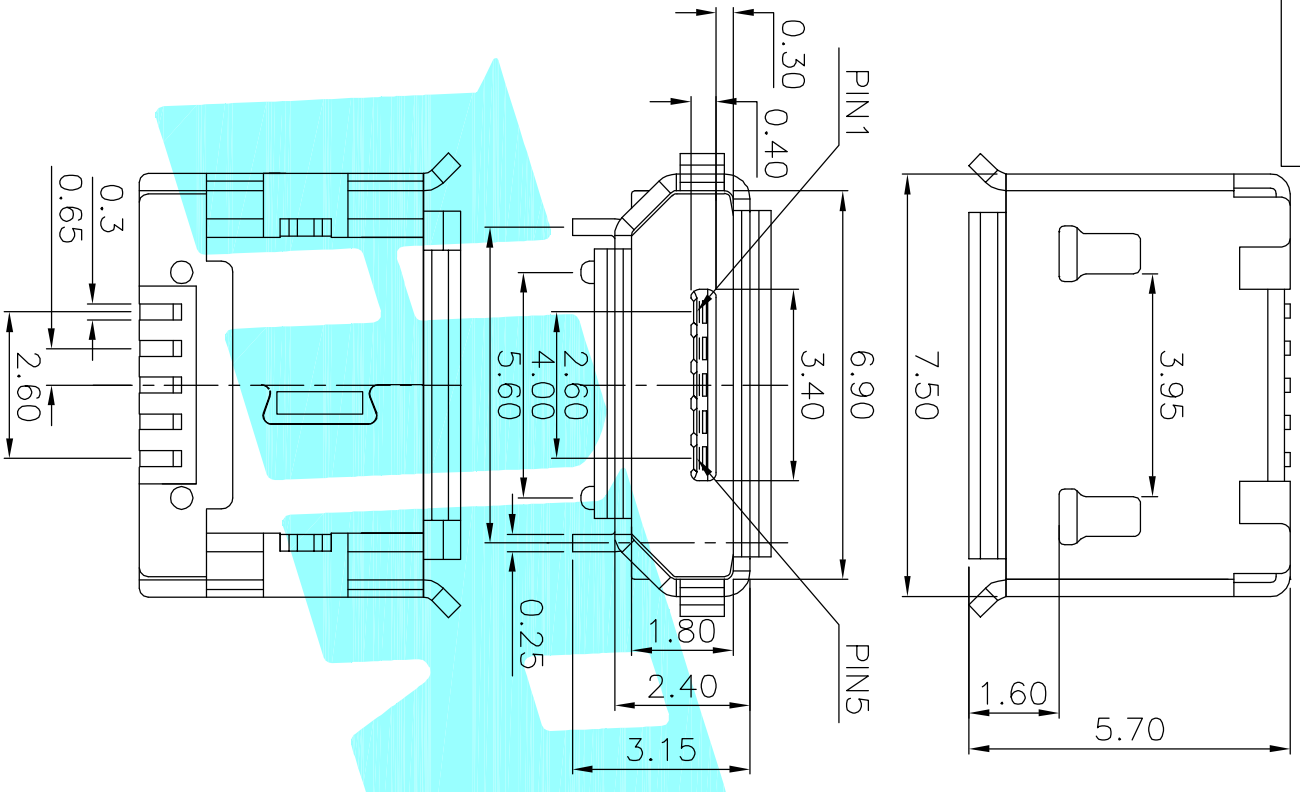
1.RATING: DC30V 1.0A
 2.MECHANICAL LIFE: 10,000 CYCLES,
 3.PACKAGING: 1000PCS/REEL

ITEM	PART NAME	TER'NO.	QTY.	MATERIAL	FINISHING	REMARK
③	Shell	—	1	Phosphor Bronze	Sn Plated	
②	Contact	—	5	Phosphor Bronze	Au Plated	
①	Housing	—	1	LCP	Black	

APPROVALS		DATE
DRAWN	JKUN.LU	2014/9/29

CHECKED		TITLE:
APPROVALS		USB CONNECTOR
TOLERANCES ARE	30~12.5 ±0.30 10~30 ±0.25 5~10 ±0.20 ~5 ±0.15	PART NO. U-F-M5DW-Y-3
	ANGLE ±2'	UNIT: mm
		SCALE: 1:1
		DRAWING NO.
		PROJ:
		SHEET 1 OF 1

ECN NO.	REV.	DATE.	DESCRIPTION.	CHANGE.	CHECK.	APPRO.
	A		NEW			



Recommended PCB Layout

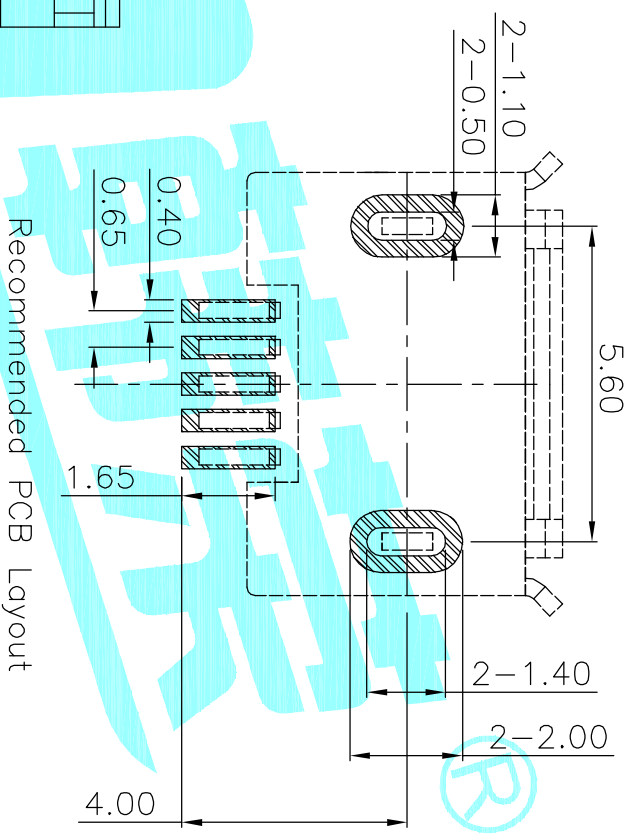
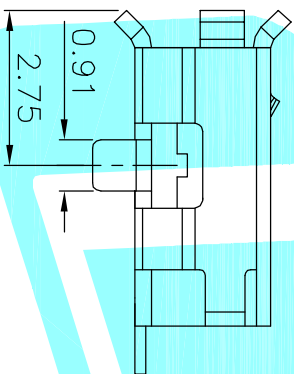
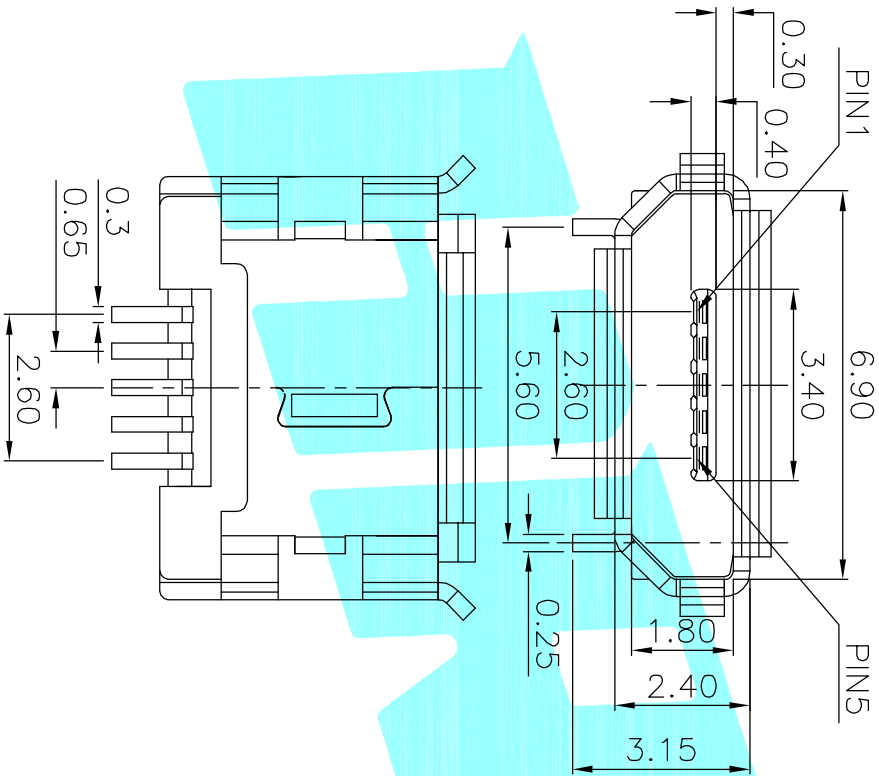
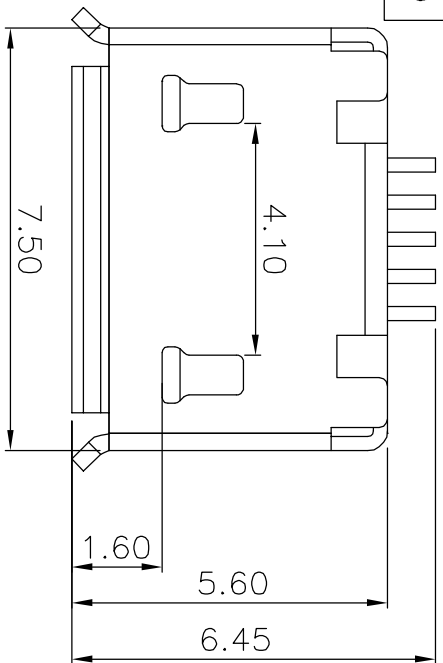
SPECIFICATIONS

- 1.RATING: DC30V 1.0A
- 2.MECHANICAL LIFE: 10,000 CYCLES.
- 3.PACKAGING: 1000PCS/REEL

③	Shell	—	1	Phosphor Bronze	Sn Plated	
②	Contact	—	5	Phosphor Bronze	Au Plated	
①	Housing	—	1	LCP	Black	
ITEM	PART NAME	TER'NO.	QTY.	MATERIAL	FINISHING	REMARK

APPROVALS		DATE	ELECTRONICS CO.,LTD			
DRAWN	JKUN.LU	2014/9/29	USB CONNECTOR			
CHECKED			TITLE:			
APPROVALS			PART NO. U-F-M5DW-Y-2			
TOLERANCES ARE		±0.30	ANGLE	UNIT: mm	SCALE: 1:1	PROJ:
	10~30	±0.25				
	5~10	±0.20	±2'	DRAWING NO.		SHEET 1 OF 1
	~5	±0.15				

ECN NO.	REV.	DATE.	DESCRIPTION.	CHANGE.	CHECK.	APPRO.
	A		NEW			



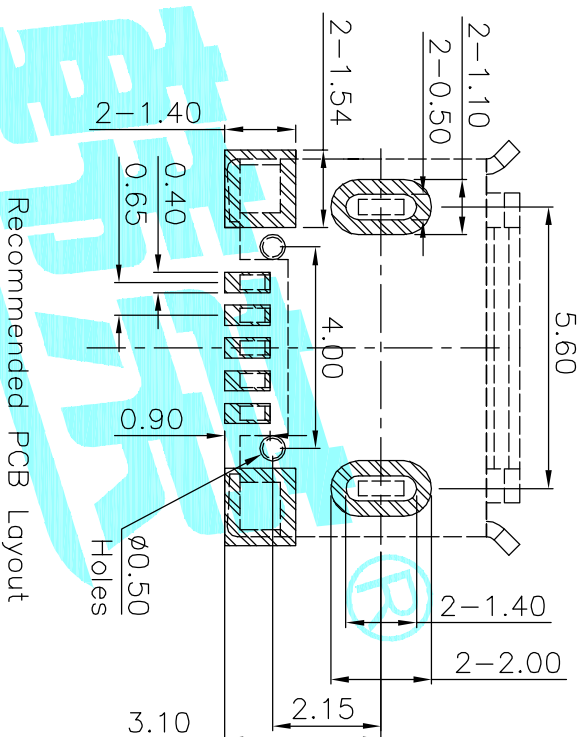
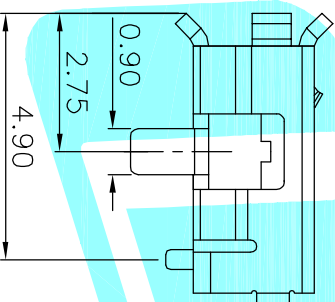
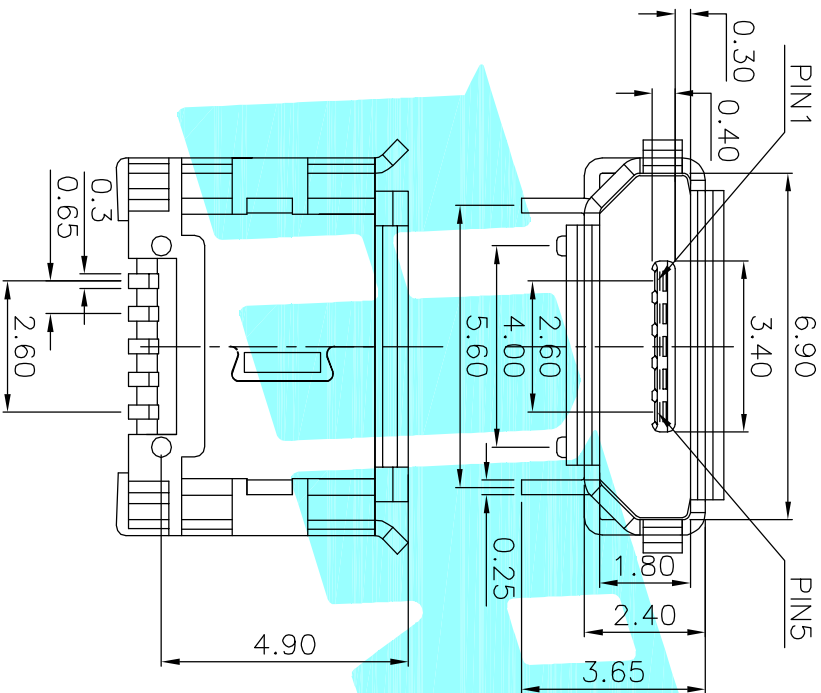
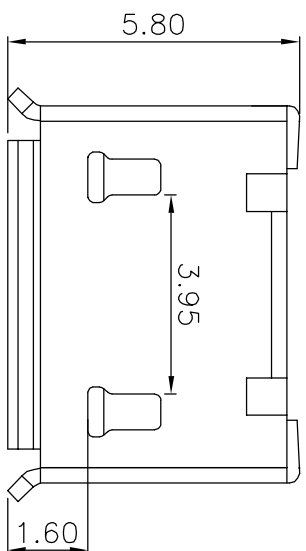
SPECIFICATIONS

- 1.RATING: DC30V 1.0A
- 2.MECHANICAL LIFE: 10,000 CYCLES.
- 3.PACKAGING: 1000PCS/REEL

③	Shell	—	1	Phosphor Bronze	Sn Plated	
②	Contact	—	5	Phosphor Bronze	Au Plated	
①	Housing	—	1	LCP	Black	
ITEM	PART NAME	TER'NO.	QTY.	MATERIAL	FINISHING	REMARK

APPROVALS		DATE	ELECTRONICS CO.,LTD			
DRAWN	JKUN.LU	2014/9/29				
CHECKED			USB CONNECTOR			
APPROVALS			PART NO.	U-F-M5DW-Y-1		
TOLERANCES ARE	30~0.125 10~0.30 5~0.10 ~5	±0.30 ±0.25 ±0.20 ±0.15	ANGLE	UNIT: mm	SCALE: 1:1	PROJ:
			±2'	DRAWING NO.		SHEET 1 OF 1

ECN NO.	REV.	DATE.	DESCRIPTION.	CHANGE.	CHECK.	APPRO.
	A		NEW			



Recommended PCB Layout

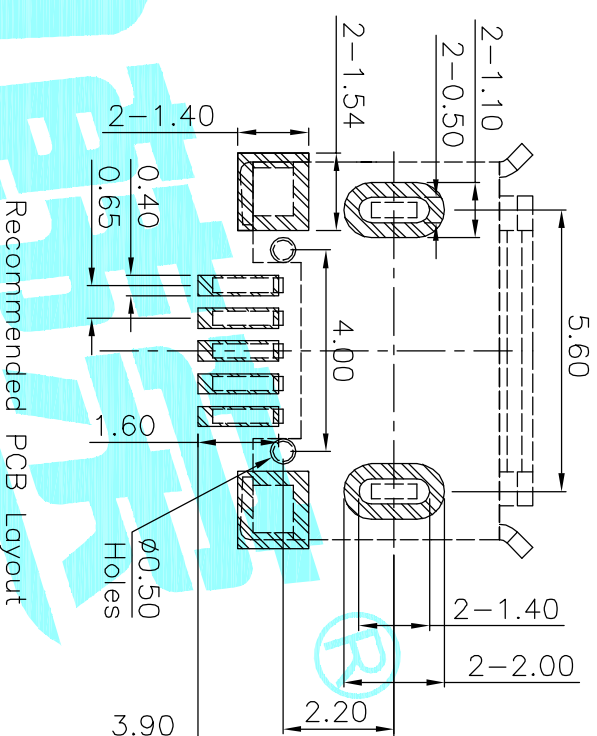
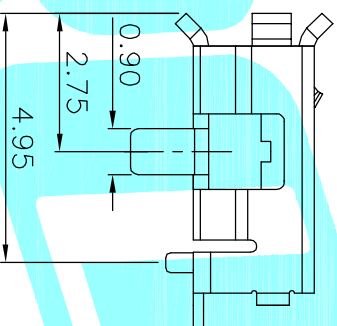
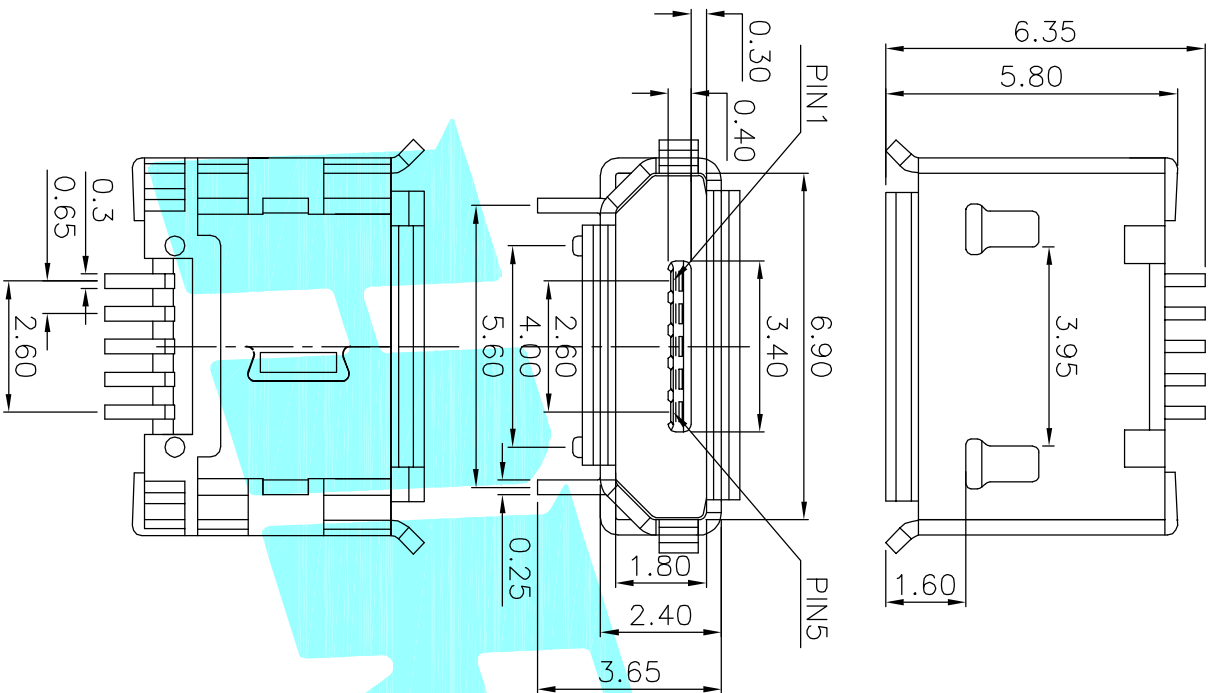
SPECIFICATIONS

- 1.RATING: DC30V 1.0A
- 2.MECHANICAL LIFE: 10,000 CYCLES.
- 3.PACKAGING: 1000PCS/REEL

ITEM	PART NAME	TER'NO.	QTY.	MATERIAL	FINISHING	REMARK
③	Shell	---	1	Phosphor Bronze	Sn Plated	
②	Contact	---	5	Phosphor Bronze	Au Plated	
①	Housing	---	1	LCP	Black	

APPROVALS		DATE	TITLE:	
DRAWN	JKUN.LU	2014/9/29	USB CONNECTOR	
CHECKED			ELECTRONICS CO.,LTD	

ECN NO.	REV.	DATE.	DESCRIPTION.	CHANGE.	CHECK.	APPRO.	TOLERANCES ARE	ANGLE	UNIT:	SCALE:	PROJ:	SHEET
	A		NEW				30~0.125 10~0.30 5~0.10 ~5	±0.30 ±0.25 ±0.20 ±0.15	mm	1:1	U-F-M5DS-Y-3	1 OF 1



Recommended PCB Layout

SPECIFICATIONS

- 1.RATING: DC30V 1.0A
- 2.MECHANICAL LIFE: 10,000 CYCLES.
- 3.PACKAGING: 1000PCS/REEL

ITEM	PART NAME	TER'NO.	QTY.	MATERIAL	FINISHING	REMARK
③	Shell	—	1	Phosphor Bronze	Sn Plated	
②	Contact	—	5	Phosphor Bronze	Au Plated	
①	Housing	—	1	LCP	Black	

APPROVALS		DATE	TITLE:	
DRAWN	JKUN.LU	2014/9/29	USB CONNECTOR	
CHECKED			ELECTRONICS CO.,LTD	

ECN NO.	REV.	DATE.	DESCRIPTION.	CHANGE.	CHECK.	APPRO.	TOLERANCES ARE	ANGLE	UNIT:	SCALE:	PROJ:	SHEET
	A		NEW				30~0.125 10~0.30 5~0.10 ~5	±0.30 ±0.25 ±0.20 ±0.15	mm	1:1	U-F-M5DS-Y-2	1 OF 1