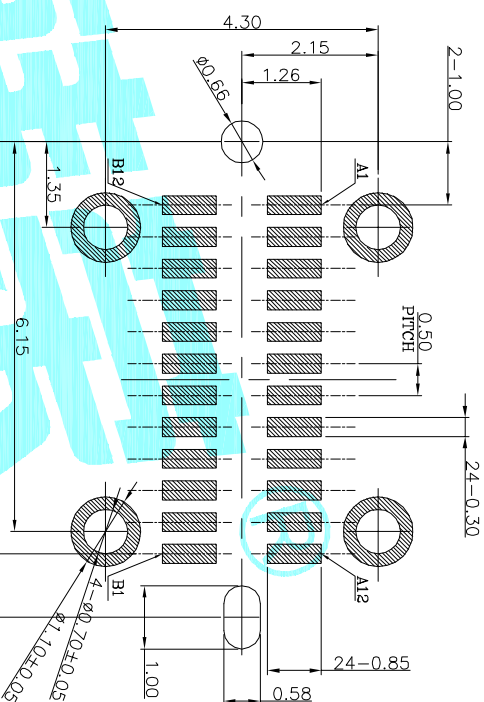


1. ELECTRICAL:  
 CURRENT: 5A MIN FOR VBUS,  
 0.25A MIN FOR OTHER.  
 VOLTAGE: 20 V MAX  
 WITHSTANDING VOLTAGE: 100V AC.  
 CONTACT RESISTANCE: 40mΩ MAX.  
 INSULATION RESISTANCE: 100MΩ MIN.
2. MECHANICAL:  
 INSERTION: 5~20N,  
 EXTRACTION: 8~20N,  
 DURABILITY: 10000 CYCLES

RECOMMENDED P.C.B. LAYOUT (T:1.00mm)  
 TOLERANCE UNSPECIFIED ±0.05mm  
 SCALE: 2:1



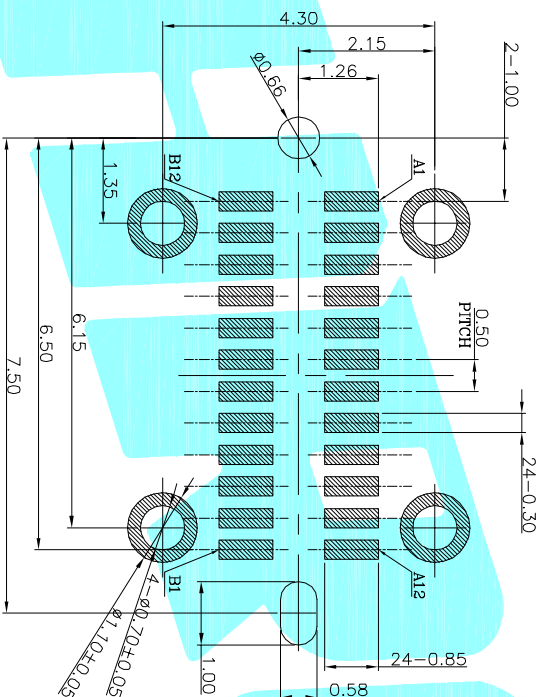
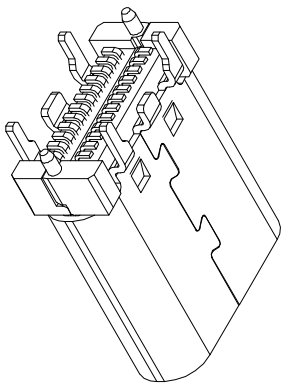
H	PART NO.
9.3	TYPE-C-31-M-06
10.5	TYPE-C-31-M-07

③	Shell	—	1	STAINLESS STEEL	Ni Plated	
②	Contact	—	24	COPPER ALLOY	Au/Ag Plated	
①	Housing	—	1	LCP	Black	
ITEM	PART NAME	TER'NO.	QTY.	MATERIAL	FINISHING	REMARK

DRAWN	JKUN,LU	DATE	2016.5.29	ELECTRONICS CO.,LTD		
CHECKED		TITLE:	USB CONNECTOR			
APPROVALS		PART NO.	TYPE-C-31-M-06			

ECN NO.	REV.	DATE.	DESCRIPTION.	CHANGE.	CHECK.	APPRO.	TOLERANCES ARE	30~12.5 ±0.30	±0.25	ANGLE	UNIT: mm	SCALE: 1:1	PROJ:	SHEET 1 OF 1
	A		NEW				10~30 ±0.20	5~10 ±0.15	±2°					

## USB TYPE-C FULL-FEATURED RECEPTACLE INTERFACE PIN ASSIGNMENTS

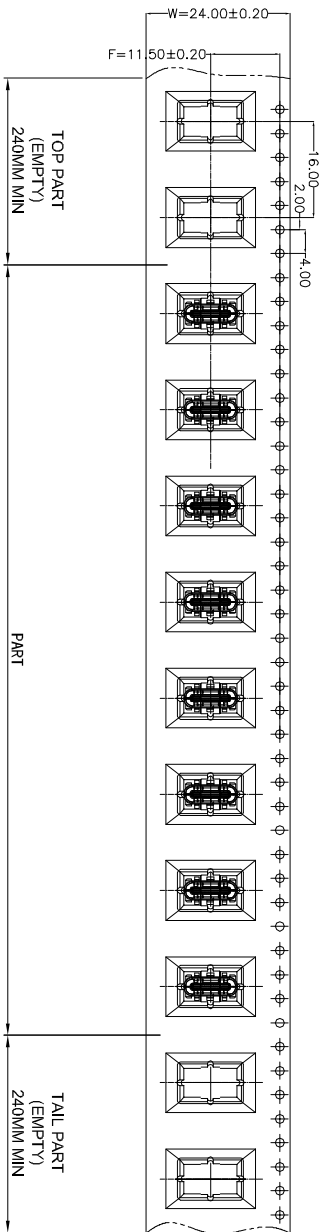


RECOMMENDED P.C.B. LAYOUT (T:1.00mm)  
TOLERANCE UNSPECIFIED ±0.05mm  
SCALE: 2:1

PIN	Signal Name	Description	PIN	Signal Name	Description
A1	GND	Ground return	B12	GND	Ground return
A2	SSTXp1	Positive half of first SuperSpeed TX differential pair	B11	SSRXp1	Positive half of first SuperSpeed RX differential pair
A3	SSTXn1	Negative half of first SuperSpeed TX differential pair	B10	SSRXn1	Negative half of first SuperSpeed RX differential pair
A4	Vbus	Bus Power	B9	Vbus	Bus Power
A5	CC1	Configuration Channel	B8	SMU2	Sideband Use (SBU)
A6	Dp1	Positive half of the USB 2.0 differential pair-Position 1	B7	Dn2	Negative half of the USB 2.0 differential pair-Position 2
A7	Dn1	Negative half of the USB 2.0 differential pair-Position 1	B6	Dp2	Positive half of the USB 2.0 differential pair-Position 2
A8	SBU1	Sideband Use (SBU)	B5	CC2	Configuration Channel
A9	Vbus	Bus Power	B4	Vbus	Bus Power
A10	SSRXn2	Negative half of second SuperSpeed RX differential pair	B3	SSTXn2	Negative half of second SuperSpeed TX differential pair
A11	SSRXp2	Positive half of second SuperSpeed RX differential pair	B2	SSTXp2	Positive half of second SuperSpeed TX differential pair
A12	GND	Ground return	B1	GND	Ground return

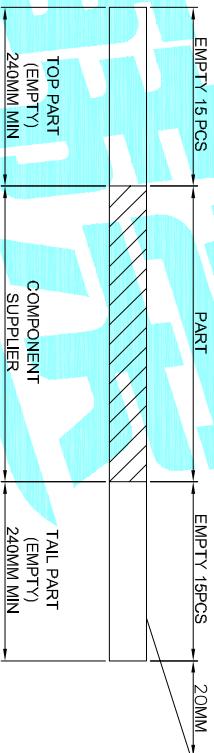
APPROVALS		DATE	TITLE:	
DRAWN	JKUN.LLU	2016.5.29	ELECTRONICS CO.,LTD	
CHECKED				
APPROVALS			PART NO.	
TOLERANCES ARE		30~12.7 ±0.30	ANGLE	
		10~30 ±0.25	UNIT: mm	SCALE: 1:1
		5~10 ±0.20	DRAWING NO.	PROJ.
		~5 ±0.15		SHEET 1 OF 1

ECN NO.	REV.	DATE.	DESCRIPTION.
	A		NEW

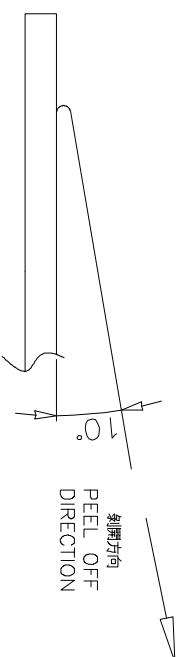
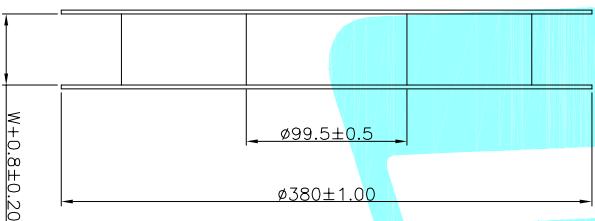
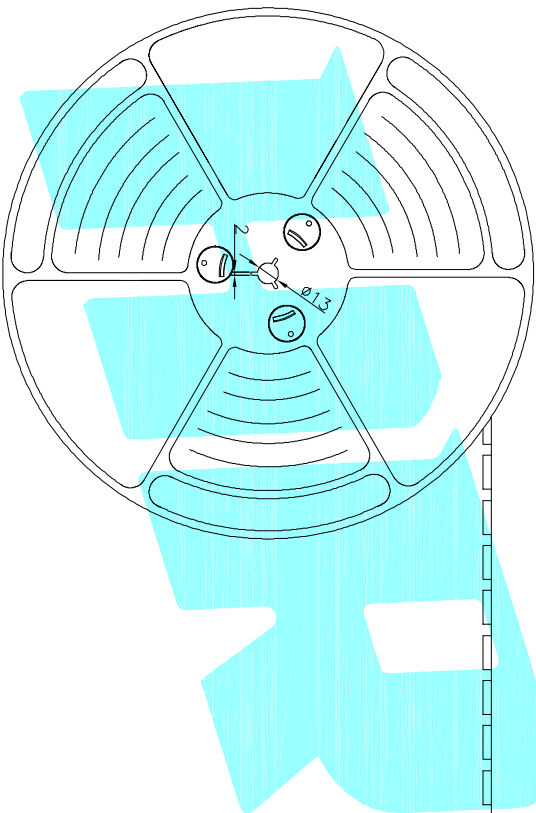


### NOTES

1. 帶子引導長度  
LEAD TAPE LENGTH  
出料方向  
PULL OUT DIRECTION



2. 上帶 剝力力為 : 0.1~1.3N(10.2gf~130gf)  
PEELING OFF FORCE OF TOP TAPE: 0.1~1.3N(10.2gf~130gf)  
出貨運輸過程中一定注意 :  
THIS REQUIREMENT SHOULD BE APPLIED AT SHIPMENT :  
卷帶在運輸過程中不能數開  
PEELING OFF SHOULD NOT BE ALLOWED DURING TRANSPORTATION



APPROVALS		DATE		TITLE:	
DRAWN JKUN.LLU		2016.5.29		ELECTRONICS CO.,LTD	
CHECKED				PART NO.	
APPROVALS				SCALE: 1:1	
TOLERANCES ARE		30~40以上	±0.30	ANGLE	UNIT: mm
		10~30	±0.25		SCALE: 1:1
		5~10	±0.20		PROJ:
		~5	±0.15		SHEET 1 OF 1
ECN NO.	REV.	DATE.	DESCRIPTION.	CHANGE.	CHECK.
	A		NEW		