



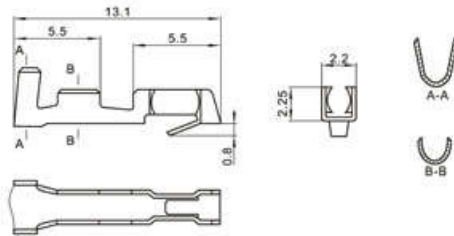
SPECIFICATIONS

Unit:mm

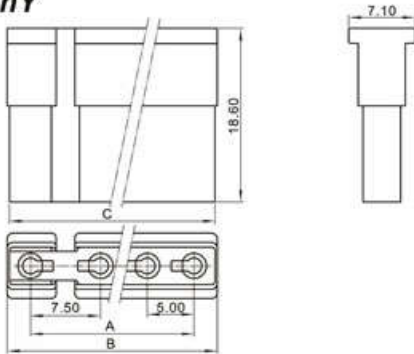
- ◇ Poles: 1-6
- ◇ Applicable wire: AWG#26-#20
- ◇ Voltage rating: 250V DC/AC
- ◇ Current rating: 4A
- ◇ Withstand voltage: 1500V AC
- ◇ Working Temperature: -25°C ~ +85°C
- ◇ Insulation resistance: ≥ 1000MΩ
- ◇ Contact resistance: ≤ 0.01Ω
- ◇ Applicable PC board thickness: 1.6mm

UL:Recognized No.E309635
RoHS-specification and Halogen-free products

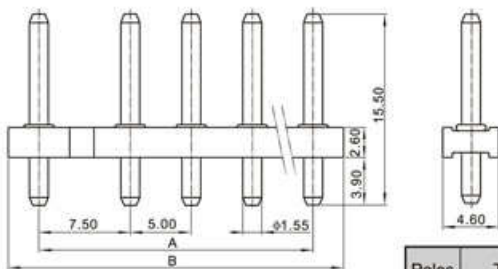
TJC2-PT



TJC2-nY



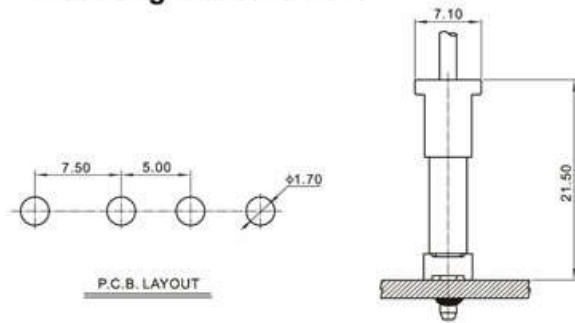
TJC2-nA



Terminal(TJC2)

Type	Applicable wires		O.D of wire ins mm	Material	Finish
	mm ²	AWG#			
BM-TJC2	0.13-0.5	26-20	1.3-2.7	Phos.bronze	Tin-plated

Mounting Measurement



Poles	Type	Size(mm)		
		A	B	C
1	TJC2-1Y	-	5.8	5.0
2	TJC2-2Y	7.5	12.5	11.5
3	TJC2-3Y	12.5	17.5	16.5
4	TJC2-4Y	17.5	22.5	21.5
5	TJC2-5Y	22.5	27.5	26.5
6	TJC2-6Y	27.5	32.5	31.5

Poles	Type	Size(mm)	
		A	B
1	TJC2-1A	-	6.0
2	TJC2-2A	7.5	12.6
3	TJC2-3A	12.5	17.6
4	TJC2-4A	17.5	22.6
5	TJC2-5A	22.5	27.6
6	TJC2-6A	27.5	32.6