

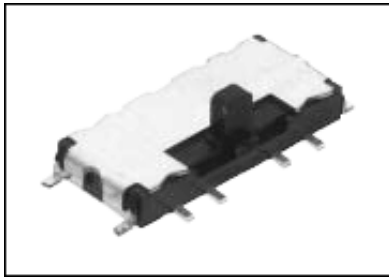


## 1.4(H)mm, 1.5/2.0mm-travel Surface Mount Type SSSS8 Series

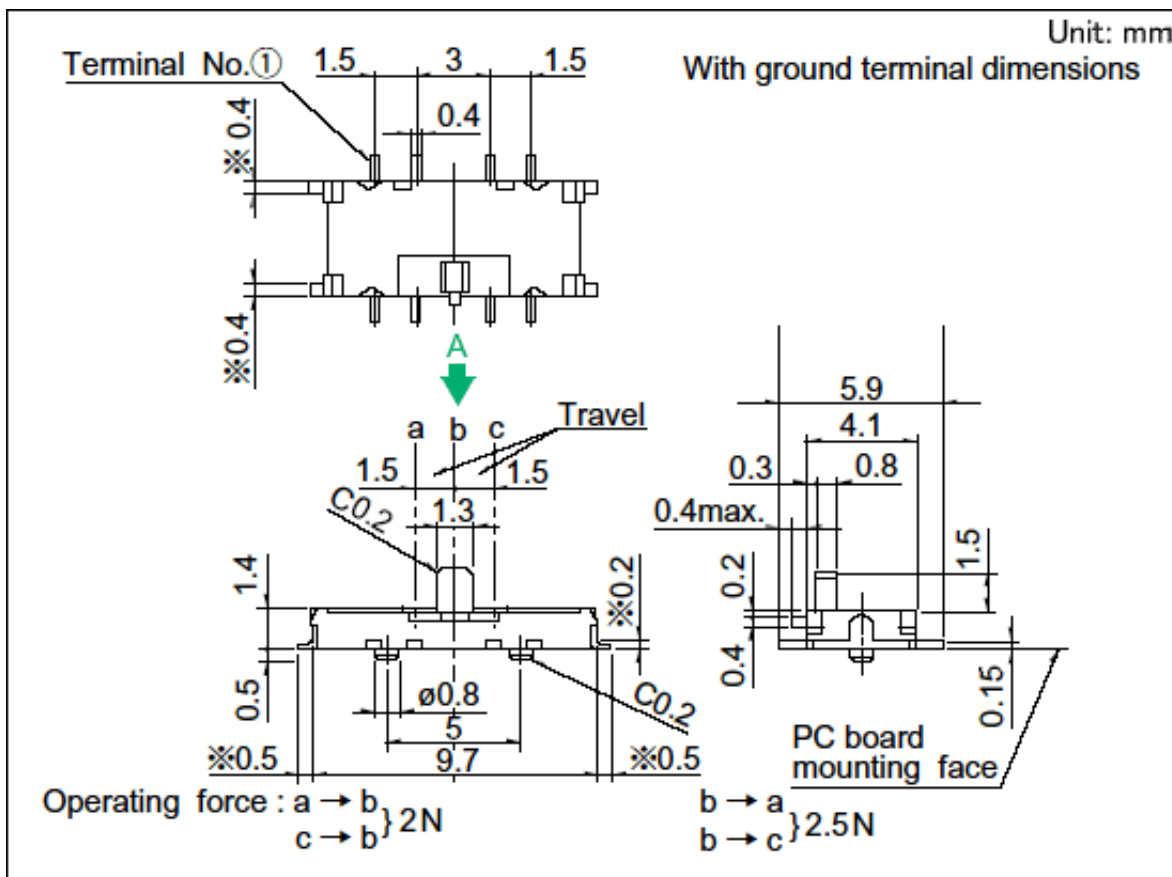
Part number	<b>SSSS820501</b>		
Travel	1.5mm		
Actuator directions	Vertical		
Actuator thickness	0.8mm		
Poles	2		
Positions	3		
Operating force	Refer to the dimensions		
Changeover timing	Not specified		
Ground terminal	With		
Soldering	Reflow		
Operating temperature range	-40°C to +85°C		
Rating (max.)/(min.) (Resistive load)	0.3A 5V DC/50μA 3V DC		
Electrical performance	Contact resistance (Initial performance/After lifetime)	70mΩ max./130mΩ max.	
	Insulation resistance	100MΩ min. 100V DC	
	Voltage proof	100V AC for 1 minute	
Mechanical performance	Terminal strength	3N for 1 minute	
	Actuator strength	Operating direction	10N
		Pulling direction	10N
Durability	Operating life without load	10,000 cycles 100mΩ max.	
	Operating life with load (at max. rated load)	10,000 cycles 130mΩ max.	

Environmental performance	Cold	-40°C 500h
	Dry heat	85°C 500h
	Damp heat	60°C, 90 to 95%RH 500h
Minimum order unit (pcs.)	Japan	1,800
	Export	7,200

Photo

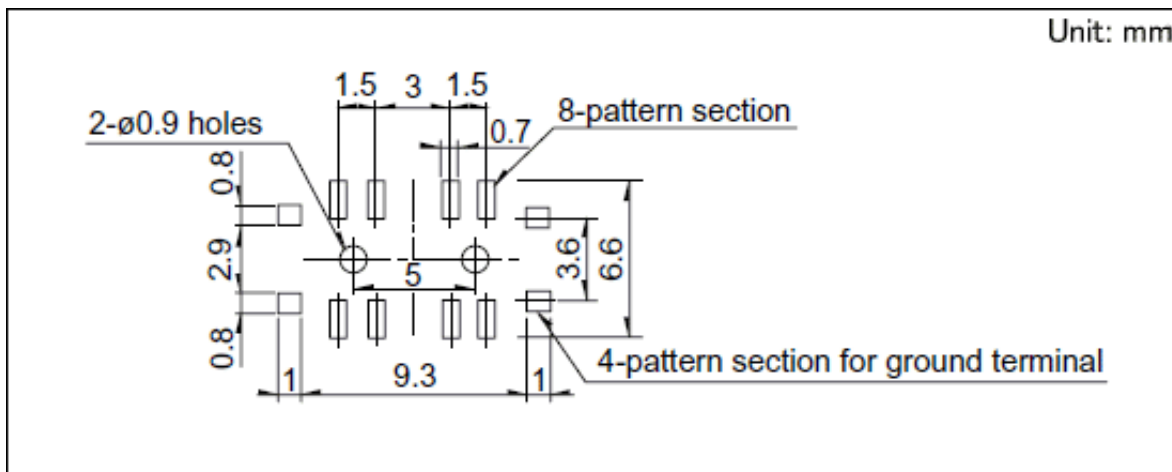


Dimensions



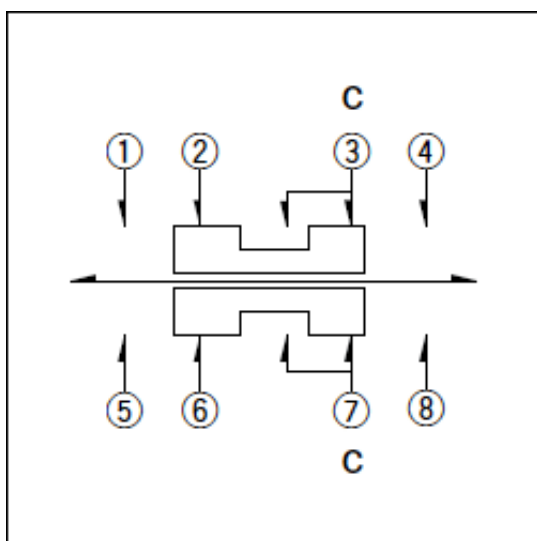
Land Dimensions

Unit: mm



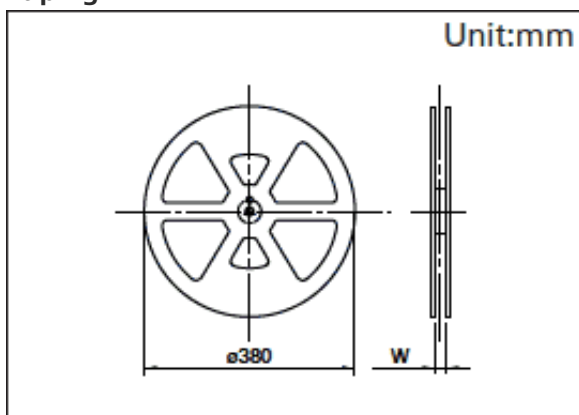
Viewed from direction A in the dimensions.

### Circuit Diagram



### Packing Specifications

#### Taping



Number of packages (pcs.)	1 reel	1,800
	1 case / Japan	3,600
	1 case / export packing	7,200

Reel width W(mm)	25.4
Tape width (mm)	24
Export package measurements (mm)	406×406×190

## Soldering Conditions

### Example of Reflow Soldering Condition

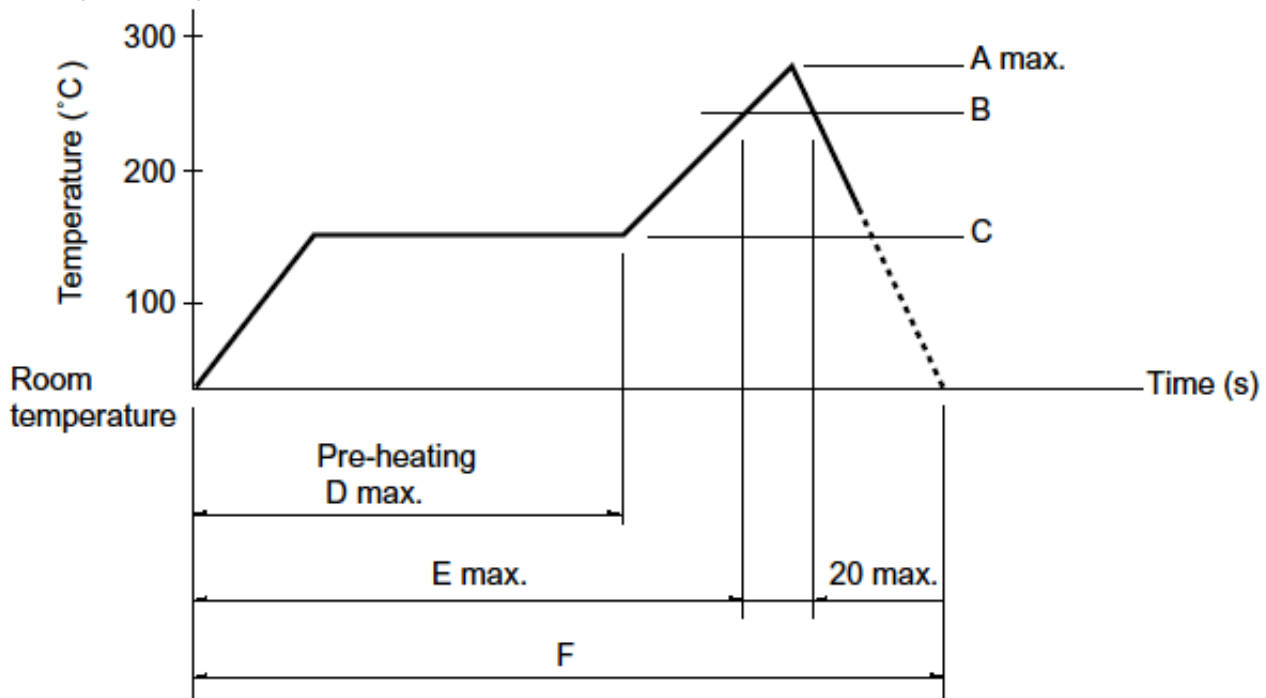
#### 1. Heating method

Double heating method with infrared heater.

#### 2. Temperature measurement

Thermocouple 0.1 to 0.2  $\Phi$  CA (K) or CC (T) at soldering portion (copper foil surface). A heat resisting tape should be used for fixed measurement.

#### 3. Temperature profile



A(°C)	B(°C)	C(s)	D(°C)	E(°C)	F(s)
3s max.					
260	230	40	180	150	120

(1) The condition mentioned above is the temperature on the mounting surface of a PC board. There are cases where the PC board's temperature greatly differs from that of the switch, depending on the PC board's material, size, thickness, etc. The above-stated conditions shall also apply to switch surface temperatures.

(2) Soldering conditions differ depending on reflow soldering machines. Prior verification of soldering condition is highly recommended.

### Reference for Hand Soldering

Soldering temperature	330±5°C
Soldering time	3s max.

## Notes are common to this series/models.

1. This site catalog shows only outline specifications. When using the products, please obtain formal specifications for supply.
2. Please place purchase orders per minimum order unit (integer).
3. Products other than those listed in the above chart are also available. Please contact us for details.
4. Please contact us for automotive use products.