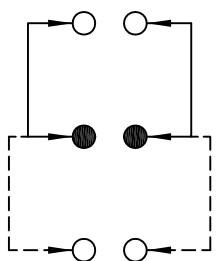
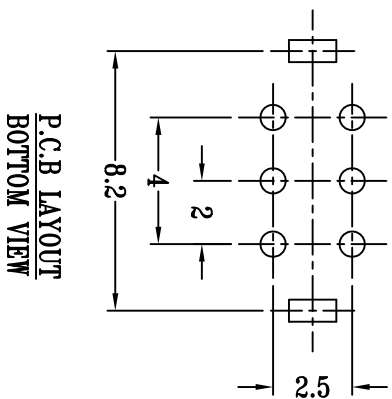
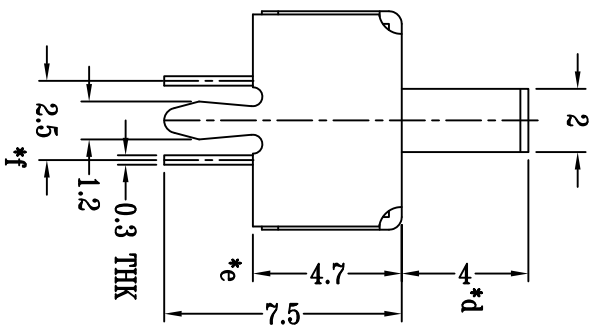
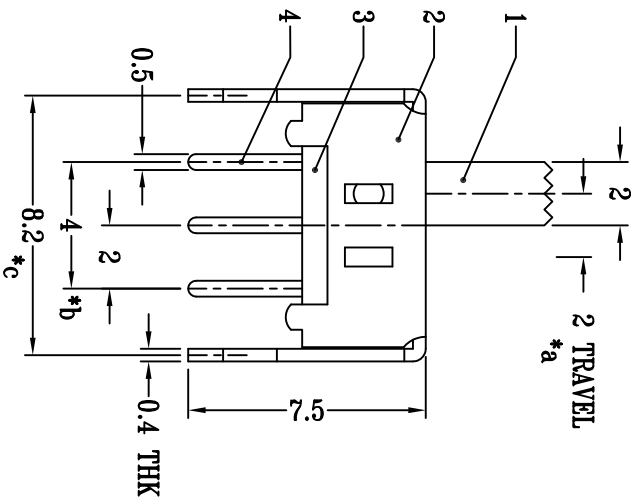
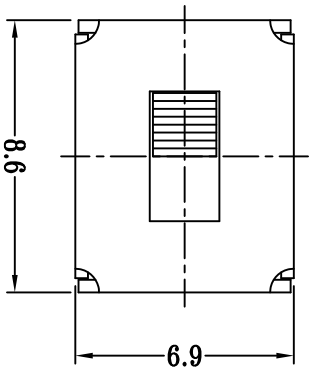




CAD FILE:



SCHEMATIC (NON-SHORTING)

注：“\*”表示关键尺寸(6个)。

8				TOLERANCE							
7				UNLESS SPECIFIED							
6	SPRING PLATE	PBS STRIP	1	NATURAL					初版		
5	CONTACT CLIP	PBS STRIP	2	Ag PLATED	WITHIN 1.5mm : ±0.1mm	A	2012-8-13		DESCRIPTIONS OF REVISION		
4	TERMINAL	BRASS STRIP	6	Ag PLATED	OVER 1.5mm : ±0.2mm						
3	BASE	PHENOLIC RESIN	1	NATURAL	TITLE : VERTICAL SLIDE SWITCH			UNT : mm			
2	FRAME	STEEL STRIP	1	NI PLATED	MODEL: SS22D03G4			SCALE: 4:1	DRWG NO.: LT-DR-SS22D03G4-00		
1	KNOB	POM	1	BLACK	初版					DWN. 余丽珍	2012-8-13
NO.	PARTS	MATERIALS	Q'TY	FINISH						APPD. 卢业创	