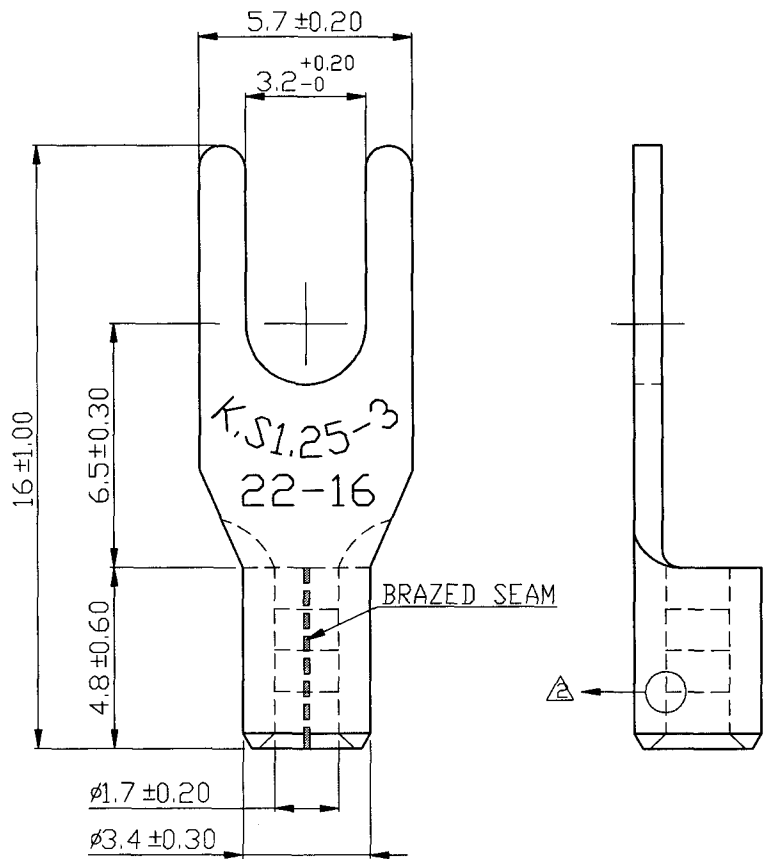


A B C D E F G H

REV	DESCRIPTION	DATE
-----	-------------	------

△		2005/08/18
△	RDK-96036	張馨尹 2007/08/15



- NOTE :
1. MAXIMUM ELECTRIC CURRENT :

A.W.G.	22	20	18	16
AMP.	9	12	17	18
 2. WIRE RANGE : 22-16 A.W.G. (0.5-1.5 mm²)
 3. SURFACE TREATMENT : TIN PLATED
 4. THICKNESS : 0.75 mm

Tolerance Unless Otherwise Specified	
0 > 6 mm ± 0.20	ANGLE
6 > 18 mm ± 0.30	0° > ° REF ±
18 > 30 mm ± 0.40	° > ° ±
30 > 75 mm ± 0.50	° > ° ±

NAME	NON-INSULATED SPADE TERMINALS				UNIT	mm
PART NO.	SNB1-3.2	MATERIAL	COPPER	APPROVE	[Signature]	
NUMBER	KT-94431-C	SCALE	SHEET	PAGE	CHECKED	[Signature]
DATE	2007/08/16	5/1	1-2	10F2	DRAWN	張馨尹

KST. K.S. TERMINALS INC.

A B C D E F G H