

# MINIATURE SMD CHIP CHOKE COILS

闭 / 非 磁 路 贴 片 电 感

Shielded / Unshielded SMD Power Inductors

Operating Temp: -20 °C ~ 85 °C



**特征:**

- 具有高功率，强力高饱和和低阻力。
- 感应器是一个直流电的转换。
- 可利用的磁带和自动卷轴表面的设置。

**FEATURES:**

- High power, High saturation, Low resistance.
- Ideal inductors for DC-DC conversion i
- The others used LCP plastic base.

**用途:**

- 便携式电脑。
- 个人电脑。
- DC/DC 变压器等产品。
- 其它各种电子电器。

**APPLICATIONS**

- Portable computers.
- Personable computers.
- DC/DC converters, etc.
- Other various electronic appliances.

**产品型号:**

**PRODUCT IDENTIFICATION**

**SMSD**

**0804**

**470**

**M**

**T**

①

②

③

④

⑤

①

②

③

类型 Type	
SMSD	闭磁路贴片电感 Unshielded SMT Power Inductors

外形尺寸(L×H) (mm) External Dimensions (L×W×H) (mm)	
0804	12.9X9.4×5.21

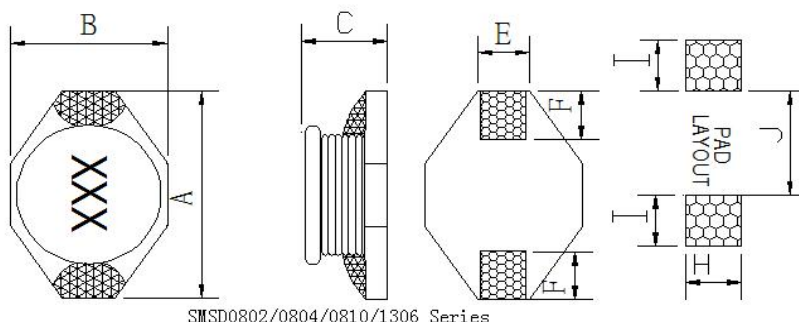
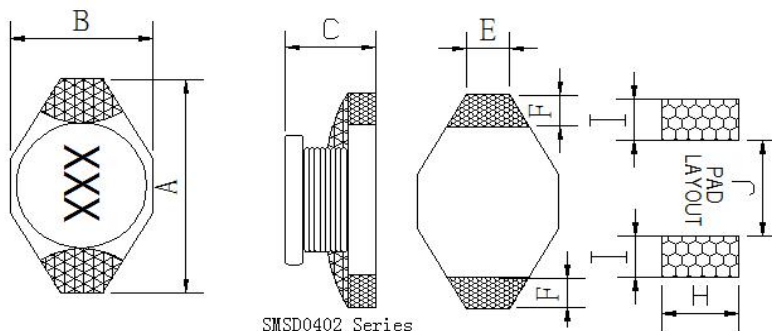
Inductance
47 uH

④

⑤

Tolerance
J: ±5%, K: ±10%, L: ±15% M: ±20%, P: ±25%, N: ±30%

包装 Packing	
B	散装 Bulk Package
T	编带 Tape & Reel



# MINIATURE SMD CHIP CHOKE COILS

Part No	A (max)	B(max)	C(max)	D	E	F	H	I	J
SMSD0402	6.6	4.45	2.92	4.32	1.27	1.02	3.56	1.4	4.06
SMSD0802	12.95	9.4	3.5	7.62	2.54	2.54	279	2.92	7.37
SMSD0804	12.95	9.8	5.21	7.62	2.54	2.54	2.79	2.92	7.37
SMSD0810	12.95	9.4	11.43	7.62	2.54	2.54	2.79	2.92	7.37
SMSD1306	18.54	15.24	7.11	7.11	2.54	2.54	2.79	2.92	12.45

## SMSD0402 Series

Part No.	Inductance (uH)			Quality Factor		DCR (OHM) Max	Rated DC Current (Amp)Max
	Nominal Value	Tole.	Test Freq.	Spec. Min	Test Freq.		
SMSD0402-1R0M	1.0	M	100KHz	20	1MHz	0.05	2.9
SMSD0402-1R5M	1.5	M	100KHz	20	1MHz	0.05	2.6
SMSD0402-2R2M	2.2	M	100KHz	20	1MHz	0.07	2.3
SMSD0402-3R3M	3.3	M	100KHz	20	1MHz	0.08	2.0
SMSD0402-4R7M	4.7	M	100KHz	30	1MHz	0.09	1.5
SMSD0402-6R8M	6.8	M	100KHz	30	1MHz	0.13	1.2
SMSD0402-100M	10	M	100KHz	35	1MHz	0.16	1.1
SMSD0402-150M	15	M	100KHz	35	1MHz	0.23	0.90
SMSD0402-220K	22	M	100KHz	35	1MHz	0.37	0.70
SMSD0402-330K	33	M	100KHz	35	1MHz	0.51	0.58
SMSD0402-470K	47	M	100KHz	35	1MHz	0.64	0.50
SMSD0402-680K	68	M	100KHz	35	1MHz	0.86	0.40
SMSD0402-101K	100	M	100KHz	40	0.796MHz	1.27	0.31
SMSD0402-151K	150	K	100KHz	40	0.796MHz	2.00	0.27
SMSD0402-221K	220	K	100KHz	40	0.796MHz	3.11	0.22
SMSD0402-331K	330	K	100KHz	40	0.796MHz	3.80	0.18
SMSD0402-471K	470	K	100KHz	40	0.796MHz	6.20	0.16
SMSD0402-681K	680	K	100KHz	40	0.796MHz	9.20	0.14

## SMSD0802 Series

Part No.	Inductance (uH)			Quality Factor		DCR (OHM) Max	Rated DC Current (Amp)Max
	Nominal Value	Tole.	Test Freq.	Spec. Min	Test Freq.		
SMSD0802-100M	10	M	100KHz	35	1MHz	0.11	2.0
SMSD0802-150M	15	M	100KHz	35	1MHz	0.15	1.5
SMSD0802-220M	22	M	100KHz	35	1MHz	0.23	1.3
SMSD0802-330M	33	M	100KHz	35	1MHz	0.30	1.1
SMSD0802-470M	47	M	100KHz	35	1MHz	0.39	0.80
SMSD0802-680M	68	M	100KHz	35	1MHz	0.66	0.70
SMSD0802-101M	100	M	100KHz	40	0.796MHz	0.84	0.60
SMSD0802-151K	150	K	100KHz	40	0.796MHz	1.2	0.50
SMSD0802-221K	220	K	100KHz	40	0.796MHz	1.9	0.40
SMSD0802-331K	330	K	100KHz	40	0.796MHz	2.7	0.30
SMSD0802-471K	470	K	100KHz	40	0.796MHz	4.0	0.20

# MINIATURE SMD CHIP CHOKE COILS

## SMSD0804 Series

Part No.	Inductance (uH)			Quality Factor		DCR (OHM) Max	Rated DC Current (Amp)Max
	Nominal Value	Tole.	Test Freq.	Spec. Min	Test Freq.		
SMSD0804-1R0M	1.0	M	100KHz	20	1MHz	0.009	6.8
SMSD0804-1R5M	1.5	M	100KHz	20	1MHz	0.010	6.4
SMSD0804-2R2M	2.2	M	100KHz	20	1MHz	0.012	6.1
SMSD0804-3R3M	3.3	M	100KHz	20	1MHz	0.015	5.4
SMSD0804-4R7M	4.7	M	100KHz	30	1MHz	0.018	4.8
SMSD0804-6R8M	6.8	M	100KHz	30	1MHz	0.027	4.4
SMSD0804-100M	10	M	100KHz	35	1MHz	0.038	3.9
SMSD0804-150M	15	M	100KHz	35	1MHz	0.046	3.1
SMSD0804-220M	22	M	100KHz	35	1MHz	0.085	2.7
SMSD0804-330M	33	M	100KHz	35	1MHz	0.100	2.1
SMSD0804-470M	47	M	100KHz	35	1MHz	0.14	1.6
SMSD0804-680M	68	M	100KHz	35	1MHz	0.20	1.4
SMSD0804-101M	100	M	100KHz	40	0.796MHz	0.28	1.2
SMSD0804-151K	150	K	100KHz	40	0.796MHz	0.40	1.0
SMSD0804-221K	220	K	100KHz	40	0.796MHz	0.61	0.08
SMSD0804-331K	330	K	100KHz	40	0.796MHz	1.02	0.60
SMSD0804-471K	470	K	100KHz	40	0.796MHz	1.27	0.50
SMSD0804-681K	680	K	100KHz	40	0.796MHz	2.02	0.40
SMSD0804-102K	1000	K	100KHz	40	0.796MHz	3.00	0.30

## SMSD0810 Series

Part No.	Inductance (uH)			Quality Factor		DCR (OHM) Max	Rated DC Current (Amp)Max
	Nominal Value	Tole.	Test Freq.	Spec. Min	Test Freq.		
SMSD0810-100M	10	M	100KHz	35	1MHz	0.04	8.0
SMSD0810-150M	15	M	100KHz	35	1MHz	0.05	7.0
SMSD0810-220M	22	M	100KHz	35	1MHz	0.066	5.5
SMSD0810-330M	33	M	100KHz	35	1MHz	0.08	4.0
SMSD0810-470M	47	M	100KHz	35	1MHz	0.11	3.8
SMSD0810-680M	68	M	100KHz	35	1MHz	0.17	3.0
SMSD0810-101M	100	M	100KHz	40	0.796MHz	0.22	2.5
SMSD0810-151K	150	K	100KHz	40	0.796MHz	0.34	2.0
SMSD0810-221K	220	K	100KHz	40	0.796MHz	0.44	1.6
SMSD0810-331K	330	K	100KHz	40	0.796MHz	0.70	1.2
SMSD0810-471K	470	K	100KHz	40	0.796MHz	0.95	1.0
SMSD0810-681K	680	K	100KHz	40	0.796MHz	1.2	1.0
SMSD0810-102K	1000	K	100KHz	40	0.796MHz	2.0	0.80

# MINIATURE SMD CHIP CHOKE COILS

## SMSD1306 Series

Part No.	Inductance (uH)			Quality Factor		DCR (OHM) Max	Rated DC Current (Amp)Max
	Nominal Value	Tole.	Test Freq.	Spec. Min	Test Freq.		
SMSD1306-1R0M	1.0	M	100KHz	20	1MHz	0.009	8.6
SMSD1306-2R2M	2.2	M	100KHz	20	1MHz	0.014	7.1
SMSD1306-3R3M	3.3	M	100KHz	20	1MHz	0.018	6.2
SMSD1306-5R6M	5.6	M	100KHz	30	1MHz	0.020	5.3
SMSD1306-100M	10	M	100KHz	35	1MHz	0.031	4.3
SMSD1306-150M	15	M	100KHz	35	1MHz	0.036	4.0
SMSD1306-220M	22	M	100KHz	35	1MHz	0.047	3.5
SMSD1306-330M	33	M	100KHz	35	1MHz	0.066	3.0
SMSD1306-470M	47	M	100KHz	35	1MHz	0.086	2.6
SMSD1306-680M	68	M	100KHz	35	1MHz	0.13	2.3
SMSD1306-101M	100	M	100KHz	40	0.796MHz	0.19	1.8
SMSD1306-151K	150	K	100KHz	40	0.796MHz	0.25	1.5
SMSD1306-221K	220	K	100KHz	40	0.796MHz	0.38	1.2
SMSD1306-331K	330	K	100KHz	40	0.796MHz	0.56	1.0
SMSD1306-471K	470	K	100KHz	40	0.796MHz	0.85	0.82
SMSD1306-681K	680	K	100KHz	40	0.796MHz	1.1	0.72
SMSD1306-102K	1000	K	100KHz	40	0.796MHz	1.8	0.56