

MINIATURE SMD CHIP CHOKE COILS

闭磁路贴片电感

Shielded SMD Power Inductors

Operating Temp: -30 °C ~ 100 °C



特征:

- 小尺寸与电极连接到铁芯直接。
- 利于磁屏蔽。
- 低直流电阻。
- 适合大电流。
- 可利用的磁带和自动卷轴表面的设置。

FEATURES:

- Small size with the electrode attached to the ferrite core directly.
- Available in magnetically shielded.
- Low DC resistance.
- Suitable for large currents.
- Available on tape and reel for auto surface mounting.

用途:

- 录像机。
- OA 仪器。
- 液晶电视。
- 笔记本计算机。
- 小型通信机器。
- DC/DC 变压器 DSC, DVC, MP3, PDA 等产。

APPLICATIONS:

- Power supply for VTRs.
- OA equipment
- LCD televisions.
- Notebook PCs.
- Portable communication equipment.
- DC/DC converters, DSC, DVC, MP3, PDA, products.

产品型号:

PRODUCT IDENTIFICATION:

SMRH

5D28

220

N

I

①

②

③

④

⑤

①

类型 Type	
SMRH	闭磁路贴片电感 Shielded SMT Power Inductors

②

外形尺寸(L×H) (mm) External Dimensions (L×W×H) (mm)	
5D28	5.7×5.7×3.0

③

Inductance
22 uH

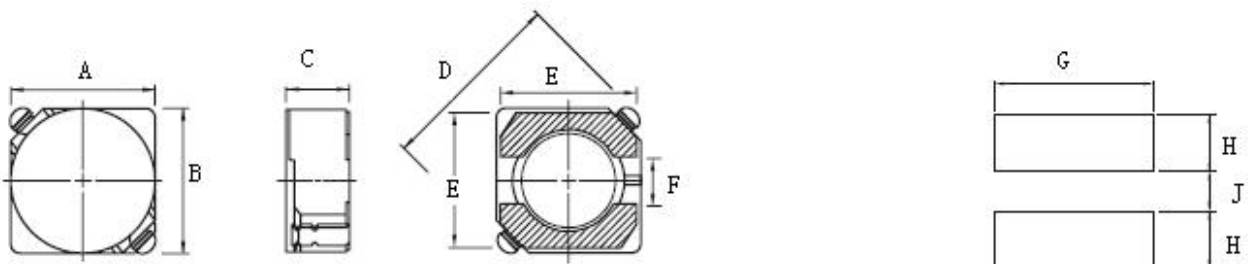
④

Tolerance
J: ±5%, K: ±10%, L: ±15% M: ±20%, P: ±25%, N: ±30%

⑤

包装 Packing	
B	散装 Bulk Package
T	编带 Tape & Reel

Shape and Size(Dimension are in mm):



MINIATURE SMD CHIP CHOKE COILS

Part No	A (max)	B(max)	C(max)	D(max)	E(max)	F	G	H	J
SMRH2D09	3.2	3.2	1.1	4.2	3.3	2.1	1.3	1.3	1.7
SMRH2D11	3.2	3.2	1.3	4.2	3.3	2.1	1.3	1.3	1.7
SMRH2D14	3.2	3.2	1.6	4.2	3.3	2.1	1.3	1.3	1.7
SMRH2D18	3.2	3.2	2.0	4.2	3.3	2.1	1.3	1.3	1.7
SMRH3D11	4.0	4.0	1.4	5.5	3.7	1.2	4.5	1.5	1.2
SMRH3D14	4.0	4.0	1.7	5.5	3.7	1.2	4.5	1.5	1.2
SMRH3D16	4.0	4.0	2.0	5.5	3.7	1.2	4.5	1.5	1.2
SMRH3D28	4.0	4.0	3.1	5.5	3.7	1.2	4.5	1.5	1.2
SMRH4D18	5.0	5.0	2.0	6.9	4.5	1.5	5.3	1.9	1.5
SMRH4D28	5.0	5.0	3.0	6.9	4.5	1.5	5.3	1.9	1.5
SMRH5D18	6.0	6.0	2.0	8.2	5.5	2.0	6.3	2.15	2.0
SMRH5D28	6.0	6.0	3.0	8.2	5.5	2.0	6.3	2.15	2.0
SMRH6D28	7.0	7.0	3.0	9.5	6.5	2.0	7.3	2.65	2.0
SMRH6D38	7.0	7.0	4.0	9.5	6.5	2.0	7.3	2.65	2.0

SMRH2D09 Series

Part No.	Inductance (uH)			Quality Factor		DCR (OHM) Max	Rated DC Current (Amp)Max
	Nominal Value	Tole.	Test Freq.	Spec. Min	Test Freq.		
SMRH2D09-1R2N	1.2	N	100KHz	20	1MHz	0.097	0.80
SMRH2D09-1R5N	1.5	N	100KHz	20	1MHz	0.110	0.73
SMRH2D09-1R8N	1.8	N	100KHz	20	1MHz	0.131	0.65
SMRH2D09-2R2N	2.2	N	100KHz	20	1MHz	0.143	0.60
SMRH2D09-2R7N	2.7	N	100KHz	20	1MHz	0.150	0.53
SMRH2D09-3R3N	3.3	N	100KHz	20	1MHz	0.193	0.47
SMRH2D09-3R9N	3.9	N	100KHz	20	1MHz	0.225	0.45
SMRH2D09-4R7N	4.7	N	100KHz	30	1MHz	0.287	0.41
SMRH2D09-5R6N	5.6	N	100KHz	30	1MHz	0.325	0.37
SMRH2D09-6R8N	6.8	N	100KHz	30	1MHz	0.425	0.33
SMRH2D09-8R2N	8.2	N	100KHz	30	1MHz	0.475	0.30
SMRH2D09-100N	10	M	100KHz	35	1MHz	0.537	0.28

SMRH2D11 Series

Part No.	Inductance (uH)			Quality Factor		DCR (OHM) Max	Rated DC Current (Amp)Max
	Nominal Value	Tole.	Test Freq.	Spec. Min	Test Freq.		
SMRH2D11-1R2N	1.2	N	100KHz	20	1MHz	0.068	0.90
SMRH2D11-2R2N	2.2	N	100KHz	20	1MHz	0.098	0.78
SMRH2D11-3R3N	3.3	N	100KHz	20	1MHz	0.132	0.60
SMRH2D11-4R7N	4.7	N	100KHz	30	1MHz	0.240	0.50
SMRH2D11-6R8N	6.8	N	100KHz	30	1MHz	0.360	0.44
SMRH2D11-100N	10	N	100KHz	35	1MHz	0.400	0.35

MINIATURE SMD CHIP CHOKE COILS

SMRH2D14 Series

Part No.	Inductance (uH)			Quality Factor		DCR (OHM) Max	Rated DC Current (Amp)Max
	Nominal Value	Tole.	Test Freq.	Spec. Min	Test Freq.		
SMRH2D14-1R5N	1.5	N	100KHz	20	1MHz	0.063	1.80
SMRH2D14-1R8N	1.8	N	100KHz	20	1MHz	0.075	1.65
SMRH2D14-2R2N	2.2	N	100KHz	20	1MHz	0.094	1.50
SMRH2D14-2R7N	2.7	N	100KHz	20	1MHz	0.106	1.35
SMRH2D14-3R3N	3.3	N	100KHz	20	1MHz	0.125	1.20
SMRH2D14-3R9N	3.9	N	100KHz	20	1MHz	0.138	1.10
SMRH2D14-4R7N	4.7	N	100KHz	30	1MHz	0.185	1.00
SMRH2D14-5R6N	5.6	N	100KHz	30	1MHz	0.220	0.95
SMRH2D14-6R8N	6.8	N	100KHz	30	1MHz	0.250	0.85
SMRH2D14-8R2N	8.2	N	100KHz	30	1MHz	0.281	0.80
SMRH2D14-100N	10	N	100KHz	35	1MHz	0.318	0.65
SMRH2D14-120 M	12	M	100KHz	35	1MHz	0.438	0.62

SMRH2D18Series

Part No.	Inductance (uH)			Quality Factor		DCR (OHM) Max	Rated DC Current (Amp)Max
	Nominal Value	Tole.	Test Freq.	Spec. Min	Test Freq.		
SMRH2D18-2R2N	2.2	N	100KHz	20	1MHz	0.041	0.85
SMRH2D18-3R3N	3.3	N	100KHz	20	1MHz	0.054	0.75
SMRH2D18-4R7N	4.7	N	100KHz	30	1MHz	0.078	0.63
SMRH2D18-6R8N	6.8	N	100KHz	30	1MHz	0.115	0.52
SMRH2D18-100N	10	N	100KHz	35	1MHz	0.180	0.43
SMRH2D18-150 M	15	M	100KHz	35	1MHz	0.220	0.35
SMRH2D18-220 M	22	M	100KHz	35	1MHz	0.363	0.30
SMRH2D18-330 M	33	M	100KHz	35	1MHz	0.516	0.24
SMRH2D18-470 M	47	M	100KHz	35	1MHz	0.750	0.20

MINIATURE SMD CHIP CHOKE COILS

SMRH3D11 Series

Part No.	Inductance (uH)			Quality Factor		DCR (OHM) Max	Rated DC Current (Amp)Max
	Nominal Value	Tole.	Test Freq.	Spec. Min	Test Freq.		
SMRH3D11-2R7N	2.7	N	100KHz	20	1MHz	0.105	0.53
SMRH3D11-4R7N	4.7	N	100KHz	30	1MHz	0.156	0.4
SMRH3D11-6R8N	6.8	N	100KHz	30	1MHz	0.225	0.34
SMRH3D11-8R2N	8.2	N	100KHz	30	1MHz	0.294	0.32
SMRH3D11-100N	10	N	100KHz	30	1MHz	0.338	0.28
SMRH3D11-120 M	12	M	100KHz	35	1MHz	0.418	0.25
SMRH3D11-150 M	15	M	100KHz	35	1MHz	0.550	0.23
SMRH3D11-180 M	18	M	100KHz	35	1MHz	0.626	0.21
SMRH3D11-220 M	22	M	100KHz	35	1MHz	0.731	0.19
SMRH3D11-330 M	33	M	100KHz	35	1MHz	1.108	0.17
SMRH3D11-390 M	39	M	100KHz	35	1MHz	1.390	0.15
SMRH3D11-470 M	47	M	100KHz	35	1MHz	1.770	0.14

SMRH3D14 Series

Part No.	Inductance (uH)			Quality Factor		DCR (OHM) Max	Rated DC Current (Amp)Max
	Nominal Value	Tole.	Test Freq.	Spec. Min	Test Freq.		
SMRH3D14-1R5N	1.5	N	100KHz	20	1MHz	0.076	2.6
SMRH3D14-2R2N	2.2	N	100KHz	20	1MHz	0.088	1.6
SMRH3D14-2R4N	2.4	N	100KHz	20	1MHz	0.094	1.5
SMRH3D14-2R7N	2.7	N	100KHz	20	1MHz	0.102	1.45
SMRH3D14-3R3N	3.3	N	100KHz	20	1MHz	0.139	1.35
SMRH3D14-3R9N	3.9	N	100KHz	20	1MHz	0.150	1.15
SMRH3D14-4R7N	4.7	N	100KHz	30	1MHz	0.180	1.10
SMRH3D14-6R8N	6.8	N	100KHz	30	1MHz	0.220	1.00
SMRH3D14-8R2N	8.2	N	100KHz	30	1MHz	0.266	0.82
SMRH3D14-100N	10	N	100KHz	30	1MHz	0.287	0.75
SMRH3D14-120 M	12	M	100KHz	35	1MHz	0.370	0.67
SMRH3D14-150 M	15	M	100KHz	35	1MHz	0.65	0.80
SMRH3D14-220 M	22	M	100KHz	35	1MHz	0.83	0.65

MINIATURE SMD CHIP CHOKE COILS

SMRH3D16 Series

Part No.	Inductance (uH)			Quality Factor		DCR (OHM) Max	Rated DC Current (Amp)Max
	Nominal Value	Tole.	Test Freq.	Spec. Min	Test Freq.		
SMRH3D16-1R5N	1.5	N	100KHz	20	1MHz	0.052	1.55
SMRH3D16-2R2N	2.2	N	100KHz	20	1MHz	0.072	1.20
SMRH3D16-3R3N	3.3	N	100KHz	20	1MHz	0.085	1.10
SMRH3D16-4R7N	4.7	N	100KHz	30	1MHz	0.105	0.90
SMRH3D16-6R8N	6.8	N	100KHz	30	1MHz	0.170	0.73
SMRH3D16-100N	10	N	100KHz	30	1MHz	0.210	0.55
SMRH3D16-150 M	15	M	100KHz	35	1MHz	0.295	0.45
SMRH3D16-220 M	22	M	100KHz	35	1MHz	0.430	0.40
SMRH3D16-330 M	33	M	100KHz	35	1MHz	0.675	0.32

SMRH3D28 Series

Part No.	Inductance (uH)			Quality Factor		DCR (OHM) Max	Rated DC Current (Amp)Max
	Nominal Value	Tole.	Test Freq.	Spec. Min	Test Freq.		
SMRH3D28-3R3N	3.3	N	100KHz	20	1MHz	0.072	2.0
SMRH3D28-4R7N	4.7	N	100KHz	30	1MHz	0.088	1.65
SMRH3D28-6R8N	6.8	N	100KHz	30	1MHz	0.119	1.24
SMRH3D28-8R2N	8.2	N	100KHz	30	1MHz	0.132	1.15
SMRH3D28-100N	10	N	100KHz	30	1MHz	0.145	1.05
SMRH3D28-150 M	15	M	100KHz	35	1MHz	0.213	0.90
SMRH3D28-220 M	22	M	100KHz	35	1MHz	0.335	0.76
SMRH3D28-330 M	33	M	100KHz	35	1MHz	0.481	0.58
SMRH3D28-470 M	47	M	100KHz	35	1MHz	0.599	0.48

SMRH4D18 Series

Part No.	Inductance (uH)			Quality Factor		DCR (OHM) Max	Rated DC Current (Amp)Max
	Nominal Value	Tole.	Test Freq.	Spec. Min	Test Freq.		
SMRH4D18-1R0N	1.0	N	100KHz	20	1MHz	0.045	1.72
SMRH4D18-2R2N	2.2	N	100KHz	20	1MHz	0.075	1.32
SMRH4D18-2R7N	2.7	N	100KHz	20	1MHz	0.105	1.28
SMRH4D18-3R3N	3.3	N	100KHz	20	1MHz	0.110	1.04
SMRH4D18-3R9N	3.9	N	100KHz	20	1MHz	0.155	0.88
SMRH4D18-4R7N	4.7	N	100KHz	30	1MHz	0.162	0.84
SMRH4D18-5R6N	5.6	N	100KHz	30	1MHz	0.170	0.80
SMRH4D18-6R8N	6.8	N	100KHz	30	1MHz	0.190	0.76
SMRH4D18-8R2N	8.2	N	100KHz	30	1MHz	0.195	0.68
SMRH4D18-100N	10	N	100KHz	35	0.796MHz	0.200	0.61
SMRH4D18-120 M	12	M	100KHz	35	0.796MHz	0.210	0.56
SMRH4D18-150 M	15	M	100KHz	35	0.796MHz	0.240	0.50
SMRH4D18-180 M	18	M	100KHz	35	0.796MHz	0.338	0.48

MINIATURE SMD CHIP CHOKE COILS

SMRH4D18-220 M	22	M	100KHz	35	0.796MHz	0.397	0.41
SMRH4D18-270 M	27	M	100KHz	35	0.796MHz	0.441	0.35
SMRH4D18-330 M	33	M	100KHz	35	0.796MHz	0.694	0.32
SMRH4D18-390 M	39	M	100KHz	35	0.796MHz	0.709	0.30
SMRH4D18-470 M	47	M	100KHz	35	0.796MHz	0.922	0.28
SMRH4D18-560 M	56	M	100KHz	35	0.796MHz	1.080	0.26
SMRH4D18-680 M	68	M	100KHz	35	0.796MHz	1.300	0.24

SMRH4D28 Series

Part No.	Inductance (uH)			Quality Factor		DCR (OHM) Max	Rated DC Current (Amp)Max
	Nominal Value	Tole.	Test Freq.	Spec. Min	Test Freq.		
SMRH4D28-1R2N	1.2	N	100KHz	20	1MHz	0.023	2.56
SMRH4D28-1R8N	1.8	N	100KHz	20	1MHz	0.027	2.20
SMRH4D28-2R2N	2.2	N	100KHz	20	1MHz	0.031	2.04
SMRH4D28-2R7N	2.7	N	100KHz	20	1MHz	0.043	1.60
SMRH4D28-3R3N	3.3	N	100KHz	20	1MHz	0.049	1.57
SMRH4D28-3R9N	3.9	N	100KHz	20	1MHz	0.064	1.44
SMRH4D28-4R7N	4.7	N	100KHz	30	1MHz	0.072	1.32
SMRH4D28-5R6N	5.6	N	100KHz	30	1MHz	0.100	1.17
SMRH4D28-6R8N	6.8	N	100KHz	30	1MHz	0.108	1.12
SMRH4D28-8R2N	8.2	N	100KHz	30	1MHz	0.117	1.04
SMRH4D28-100N	10	N	100KHz	35	1MHz	0.128	1.00
SMRH4D28-120 M	12	M	100KHz	35	1MHz	0.131	0.84
SMRH4D28-150 M	15	M	100KHz	35	1MHz	0.149	0.76
SMRH4D28-180 M	18	M	100KHz	35	1MHz	0.166	0.72
SMRH4D28-220 M	22	M	100KHz	35	1MHz	0.235	0.70
SMRH4D28-270 M	27	M	100KHz	35	1MHz	0.261	0.58
SMRH4D28-330 M	33	M	100KHz	35	1MHz	0.378	0.56
SMRH4D28-390 M	39	M	100KHz	35	1MHz	0.383	0.50
SMRH4D28-470 M	47	M	100KHz	35	1MHz	0.587	0.48
SMRH4D28-560 M	56	M	100KHz	35	1MHz	0.624	0.41
SMRH4D28-680 M	68	M	100KHz	35	1MHz	0.699	0.35
SMRH4D28-820 M	82	M	100KHz	35	1MHz	0.914	0.32
SMRH4D28-101 M	100	M	100KHz	40	0.796MHz	1.102	0.29
SMRH4D28-121 M	120	M	100KHz	40	0.796MHz	1.127	0.27
SMRH4D28-151 M	150	M	100KHz	40	0.796MHz	1.135	0.24
SMRH4D28-181M	180	M	100KHz	40	0.796MHz	1.154	0.22

MINIATURE SMD CHIP CHOKE COILS

SMRH5D18 Series

Part No.	Inductance (uH)			Quality Factor		DCR (OHM) Max	Rated DC Current (Amp)Max
	Nominal Value	Tole.	Test Freq.	Spec. Min	Test Freq.		
SMRH5D18-3R3N	3.3	N	100KHz	20	1MHz	0.053	2.00
SMRH5D18-4R7N	4.7	N	100KHz	30	1MHz	0.060	1.90
SMRH5D18-5R6N	5.6	N	100KHz	30	1MHz	0.076	1.60
SMRH5D18-6R8N	6.8	N	100KHz	30	1MHz	0.105	1.40
SMRH5D18-8R9N	8.9	N	100KHz	30	1MHz	0.116	1.25
SMRH5D18-100N	10	N	100KHz	35	1MHz	0.124	1.20
SMRH5D18-120 M	12	M	100KHz	35	1MHz	0.153	1.10
SMRH5D18-150 M	15	M	100KHz	35	1MHz	0.196	0.97
SMRH5D18-180 M	18	M	100KHz	35	1MHz	0.210	0.85
SMRH5D18-220 M	22	M	100KHz	35	1MHz	0.290	0.80
SMRH5D18-270 M	27	M	100KHz	35	1MHz	0.330	0.75
SMRH5D18-330 M	33	M	100KHz	35	1MHz	0.386	0.65
SMRH5D18-390 M	39	M	100KHz	35	1MHz	0.520	0.57
SMRH5D18-470 M	47	M	100KHz	35	1MHz	0.595	0.54
SMRH5D18-560 M	56	M	100KHz	35	1MHz	0.665	0.50
SMRH5D18-680 M	68	M	100KHz	35	1MHz	0.840	0.43
SMRH5D18-820 M	82	M	100KHz	35	1MHz	0.978	0.41
SMRH5D18-101 M	100	M	100KHz	40	0.796MHz	1.200	0.36
SMRH5D18-121 M	120	M	100KHz	40	0.796MHz	1.500	0.33
SMRH5D18-151 M	150	M	100KHz	40	0.796MHz	1.710	0.31
SMRH5D18-181 M	180	M	100KHz	40	0.796MHz	3.380	0.21

SMRH5D28 Series

Part No.	Inductance (uH)			Quality Factor		DCR (OHM) Max	Rated DC Current (Amp)Max
	Nominal Value	Tole.	Test Freq.	Spec. Min	Test Freq.		
SMRH5D28-2R2N	2.2	N	100KHz	20	1MHz	0.017	2.50
SMRH5D28-3R3N	3.3	N	100KHz	20	1MHz	0.029	2.40
SMRH5D28-4R7N	4.7	N	100KHz	30	1MHz	0.039	2.10
SMRH5D28-6R8N	6.8	N	100KHz	30	1MHz	0.048	1.84
SMRH5D28-8R2N	8.2	N	100KHz	30	1MHz	0.053	1.60
SMRH5D28-100N	10	N	100KHz	35	1MHz	0.065	1.30
SMRH5D28-120 M	12	M	100KHz	35	1MHz	0.076	1.20
SMRH5D28-150 M	15	M	100KHz	35	1MHz	0.403	1.10
SMRH5D28-180 M	18	M	100KHz	35	1MHz	0.110	1.00
SMRH5D28-220 M	22	M	100KHz	35	1MHz	0.122	0.90
SMRH5D28-270 M	27	M	100KHz	35	1MHz	0.175	0.85
SMRH5D28-330 M	33	M	100KHz	35	1MHz	0.189	0.75
SMRH5D28-390 M	39	M	100KHz	35	1MHz	0.212	0.70
SMRH5D28-470 M	47	M	100KHz	35	1MHz	0.260	0.62

MINIATURE SMD CHIP CHOKE COILS

SMRH5D28-560 M	56	M	100KHz	35	1MHz	0.305	0.58
SMRH5D28-680 M	68	M	100KHz	35	1MHz	0.355	0.52
SMRH5D28-820 M	82	M	100KHz	35	1MHz	0.463	0.46
SMRH5D28-101 M	100	M	100KHz	40	0.796MHz	0.520	0.42
SMRH5D28-121 M	120	M	100KHz	40	0.796MHz	0.560	0.40
SMRH5D28-151 M	150	M	100KHz	40	0.796MHz	0.680	0.35
SMRH5D28-181 M	180	M	100KHz	40	0.796MHz	0.930	0.32

SMRH6D28 Series

Part No.	Inductance (uH)			Quality Factor		DCR (OHM) Max	Rated DC Current (Amp)Max
	Nominal Value	Tole.	Test Freq.	Spec. Min	Test Freq.		
SMRH6D28-3R3N	3.3	N	100KHz	20	1MHz	0.026	2.80
SMRH6D28-4R7N	4.7	N	100KHz	30	1MHz	0.031	2.40
SMRH6D28-6R8N	6.8	N	100KHz	30	1MHz	0.042	2.20
SMRH6D28-8R2N	8.2	N	100KHz	30	1MHz	0.055	1.95
SMRH6D28-8R6N	8.6	N	100KHz	30	1MHz	0.058	1.85
SMRH6D28-100N	10	N	100KHz	35	1MHz	0.065	1.70
SMRH6D28-120 M	12	M	100KHz	35	1MHz	0.07	1.55
SMRH6D28-150 M	15	M	100KHz	35	1MHz	0.084	1.40
SMRH6D28-180 M	18	M	100KHz	35	1MHz	0.095	1.32
SMRH6D28-220 M	22	M	100KHz	35	1MHz	0.128	1.20
SMRH6D28-270 M	27	M	100KHz	35	1MHz	0.142	1.05
SMRH6D28-330 M	33	M	100KHz	35	1MHz	0.165	0.97
SMRH6D28-390 M	39	M	100KHz	35	1MHz	0.210	0.86
SMRH6D28-470 M	47	M	100KHz	35	1MHz	0.238	0.80
SMRH6D28-560M	56	M	100KHz	35	1MHz	0.277	0.73
SMRH6D28-680 M	68	M	100KHz	35	1MHz	0.304	0.65
SMRH6D28-820 M	82	M	100KHz	35	1MHz	0.390	0.60
SMRH6D28-101 M	100	M	100KHz	40	0.796MHz	0.535	0.54
SMRH6D28-121 M	120	M	100KHz	40	0.796MHz	0.750	0.51
SMRH6D28-151 M	150	M	100KHz	40	0.796MHz	0.950	0.47
SMRH6D28-181 M	180	M	100KHz	40	0.796MHz	1.200	0.41

MINIATURE SMD CHIP CHOKE COILS

SMRH6D38 Series

Part No.	Inductance (uH)			Quality Factor		DCR (OHM) Max	Rated DC Current (Amp)Max
	Nominal Value	Tole.	Test Freq.	Spec. Min	Test Freq.		
SMRH6D38-1R5N	1.5	N	100KHz	20	1MHz	0.015	5.20
SMRH6D38-2R2N	2.2	N	100KHz	20	1MHz	0.018	4.50
SMRH6D38-3R3N	3.3	N	100KHz	20	1MHz	0.020	3.50
SMRH6D38-4R7N	4.7	N	100KHz	30	1MHz	0.025	2.80
SMRH6D38-6R8N	6.8	N	100KHz	30	1MHz	0.029	2.40
SMRH6D38-8R2N	8.2	N	100KHz	30	1MHz	0.034	2.20
SMRH6D38-100N	10	N	100KHz	35	1MHz	0.038	2.00
SMRH6D38-120 M	12	M	100KHz	35	1MHz	0.053	1.70
SMRH6D38-150 M	15	M	100KHz	35	1MHz	0.057	1.60
SMRH6D38-180 M	18	M	100KHz	35	1MHz	0.092	1.50
SMRH6D38-220 M	22	M	100KHz	35	1MHz	0.096	1.30
SMRH6D38-270 M	27	M	100KHz	35	1MHz	0.109	1.20
SMRH6D38-330 M	33	M	100KHz	35	1MHz	0.124	1.10
SMRH6D38-390 M	39	M	100KHz	35	1MHz	0.138	1.00
SMRH6D38-470 M	47	M	100KHz	35	1MHz	0.155	0.95
SMRH6D38-560 M	56	M	100KHz	35	1MHz	0.202	0.85
SMRH6D38-680 M	68	M	100KHz	35	1MHz	0.234	0.75
SMRH6D38-820 M	82	M	100KHz	35	1MHz	0.324	0.70
SMRH6D38-101 M	100	M	100KHz	40	0.796MHz	0.358	0.62
SMRH6D38-121 M	120	M	100KHz	40	0.796MHz	0.470	0.59
SMRH6D38-151M	150	M	100KHz	40	0.796MHz	0.580	0.54
SMRH6D38-181 M	180	M	100KHz	40	0.796MHz	0.690	0.49
SMRH6D38-221 M	220	M	100KHz	40	0.796MHz	0.890	0.43
SMRH6D38-271 M	270	M	100KHz	40	0.796MHz	1.290	0.40
SMRH6D38-331 M	330	M	100KHz	40	0.796MHz	1.700	0.37
SMRH6D38-471 M	470	M	100KHz	40	0.796MHz	2.200	0.32
SMRH6D38-561M	560	M	100KHz	40	0.796MHz	2.850	0.29
SMRH6D38-821 M	820	M	100KHz	40	0.796MHz	4.050	0.22
SMRH6D38-102 M	1000	M	100KHz	40	0.796MHz	5.700	0.20

MINIATURE SMD CHIP CHOKE COILS

闭磁路贴片电感

Shielded SMD Power Inductors

Operating Temp: -40 °C ~ 125 °C



特征:

- 轻便薄小
- 大电流低直流阻抗
- 直接在磁芯上金属化电极，抗跌落冲击强，经久耐用
- 闭合磁路结构设计，漏磁少，抗 EMI 能力强

FEATURES:

- Compact and thin.
- Large Current and Low DCR.
- Metallization on Ferrite Core results in excellent shock resistance and damage-free durability
- Closed magnetic circuit design reduces leakage flux and Electro Magnetic Interference (EMI)

用途:

- LED 照明、平板电视、蓝光 DVD 机顶盒、笔记本电脑、台式计算机、服务器、显卡、便携式游戏机、个人导航系统、多媒体、汽车产品、通信设备

APPLICATIONS:

- LED Lighting、Flat-screen TVs, blue-ray disc recorders, set top box、Notebooks, desktop computers, servers, graphic cards、Portable gaming devices, personal navigation systems, personal multimedia devices, Automotive systems Telecom base stations

产品型号:

PRODUCT IDENTIFICATION:

SMRH

7D15

100

N

I

①

②

③

④

⑤

①

类型 Type	
SMRH	闭磁路贴片电感 Shielded SMT Power Inductors

②

外形尺寸(L×H) (mm) External Dimensions (L×W×H) (mm)	
7D15	7.8×7.8×1.8

③

Inductance
10 uH

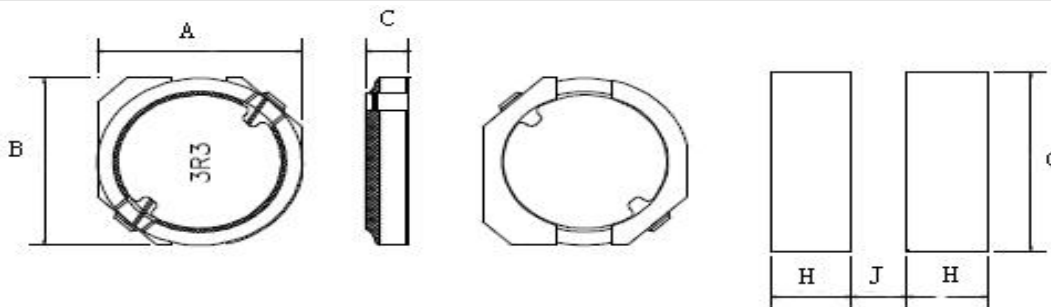
④

Tolerance	
J: ±5%, K: ±10%, L: ±15%	
M: ±20%, P: ±25%, N: ±30%	

⑤

包装 Packing	
B	散装 Bulk Package
T	编带 Tape & Reel

Shape and Size(Dimension are in mm):



Part No	A (max)	B(max)	C(max)	D(max)	E(max)	F	G	H	J
SMRH 7D15	7.8	7.8	1.8				7.5	3.85	1.9
SMRH 7D25	7.8	7.8	2.8				7.5	3.85	1.9
SMRH 10D15	11.0	11.0	1.8				10.7	3.85	3.0
SMRH 10D25	11.0	11.0	2.8				10.7	3.85	3.0

MINIATURE SMD CHIP CHOKE COILS

SMRH7D15 Series

Part No.	Inductance (uH)			Quality Factor		DCR (OHM) Max	Rated DC Current (Amp)Max
	Nominal Value	Tole.	Test Freq.	Spec. Min	Test Freq.		
SMRH7D15-3R3N	3.3	N	100KHz	20	1MHz	0.05	3.0
SMRH7D15-4R7N	4.7	N	100KHz	30	1MHz	0.08	2.5
SMRH7D15-6R8N	6.8	N	100KHz	30	1MHz	0.11	2.2
SMRH7D15-8R2N	8.2	N	100KHz	30	1MHz	0.12	2.0
SMRH7D15-100N	10	N	100KHz	35	1MHz	0.17	1.5

SMRH7D25 Series

Part No.	Inductance (uH)			Quality Factor		DCR (OHM) Max	Rated DC Current (Amp)Max
	Nominal Value	Tole.	Test Freq.	Spec. Min	Test Freq.		
SMRH7D25-3R3N	3.3	N	100KHz	20	1MHz	0.045	3.2
SMRH7D25-4R7N	4.7	N	100KHz	30	1MHz	0.076	2.7
SMRH7D25-6R8N	6.8	N	100KHz	30	1MHz	0.10	2.5
SMRH7D15-8R2N	8.2	N	100KHz	30	1MHz	0.115	2.2
SMRH7D25-100N	10	N	100KHz	35	1MHz	0.16	1.7

SMRH10D15 Series

Part No.	Inductance (uH)			Quality Factor		DCR (OHM) Max	Rated DC Current (Amp)Max
	Nominal Value	Tole.	Test Freq.	Spec. Min	Test Freq.		
SMRH10D15-3R3N	3.3	N	100KHz	20	1MHz	0.055	4.0
SMRH10D15-4R7N	4.7	N	100KHz	30	1MHz	0.07	3.5
SMRH10D15-6R8N	6.8	N	100KHz	30	1MHz	0.11	3.0
SMRH10D15-8R2N	8.2	N	100KHz	30	1MHz	0.13	2.5
SMRH10D15-100N	10	N	100KHz	35	1MHz	0.143	2.2

SMRH10D25 Series

Part No.	Inductance (uH)			Quality Factor		DCR (OHM) Max	Rated DC Current (Amp)Max
	Nominal Value	Tole.	Test Freq.	Spec. Min	Test Freq.		
SMRH10D25-3R3N	3.3	N	100KHz	20	1MHz	0.04	4.3
SMRH10D25-4R7N	4.7	N	100KHz	30	1MHz	0.06	3.7
SMRH10D25-6R8N	6.8	N	100KHz	30	1MHz	0.1	3.3
SMRH10D25-8R2N	8.2	N	100KHz	30	1MHz	0.11	2.8
SMRH10D25-100N	10	N	100KHz	35	1MHz	0.132	2.5

MINIATURE SMD CHIP CHOKE COILS

闭磁路贴片电感

Shielded SMD Power Inductors

Operating Temp: -40 °C ~ 125 °C



特征:

- 低直流电阻。
- 适合大电流。
- 可利用的磁带和自动卷轴表面的设置。
- 适用于回流焊 SMT 工艺。

FEATURES:

- Low DC resistance.
- Suitable for large currents .
- Available on tape and reel for auto surface mounting.
- Suitable for reflow soldering.

用途:

- 广泛应用于升降压转换器、液晶显示、笔记本电脑、个人掌上记事本、MP3/MP4 播放器、数码相机、便携式光碟机等。

APPLICATIONS:

- Widely use in DC-DC converter /LCD TV/ Notebook/PDA/MP3-MP4player/Digitalcamera /Portable CDR-W etc.

产品型号:

PRODUCT IDENTIFICATION:

SMRH

8D43

100

N

I

①

②

③

④

⑤

①

②

③

类型 Type	
SMRH	闭磁路贴片电感 Shielded SMT Power Inductors

外形尺寸(L×H) (mm) External Dimensions (L×W×H) (mm)	
8D43	8.3×8.3×4.5

Inductance
10 uH

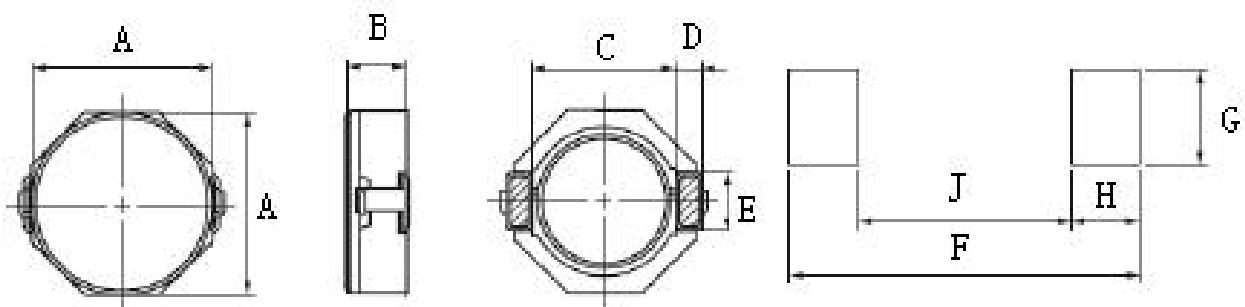
④

⑤

Tolerance
J:±5%,K: ±10%, L: ±15% M: ±20%,P: ±25%, N: ±30%

包装 Packing	
B	散装 Bulk Package
T	编带 Tape & Reel

Shape and Size(Dimension are in mm):



Part No	A (max)	B(max)	C(max)	D(max)	E(max)	F	G	H	J
SMRH 8D28	8.3	3.0	6.3	1.2	2.5	10.1	2.8	2.0	6.1
SMRH 8D38	8.3	4.0	6.3	1.2	2.5	10.1	2.8	2.0	6.1
SMRH 8D43	8.3	4.5	6.3	1.2	2.5	10.1	2.8	2.0	6.1
SMRH 8D58	8.3	6.0	6.3	1.2	2.5	10.1	2.8	2.0	6.1

SMRH8D28 Series

MINIATURE SMD CHIP CHOKE COILS

Part No.	Inductance (uH)			DCR (OHM) Max	Rated DC Current (Amp)Max
	Nominal Value	Tole.	Test Freq.		
SMRH8D28-2R5N	2.5	N	100KHz	0.0156	4.5
SMRH8D28-3R3N	3.3	N	100KHz	0.0182	4.0
SMRH8D28-4R7N	4.7	N	100KHz	0.0247	3.4
SMRH8D28-7R3N	7.3	N	100KHz	0.039	2.8
SMRH8D28-100N	10	N	100KHz	0.047	2.5
SMRH8D28-150N	15	N	100KHz	0.069	1.9
SMRH8D28-220N	22	N	100KHz	0.099	1.6
SMRH8D28-330N	33	N	100KHz	0.156	1.3
SMRH8D28-470N	47	N	100KHz	0.195	1.15
SMRH8D28-680N	68	N	100KHz	0.286	0.92
SMRH8D28-101N	100	N	100KHz	0.43	0.75

SMRH8D38 Series

Part No.	Inductance (uH)			DCR (OHM) Max	Rated DC Current (Amp)Max
	Nominal Value	Tole.	Test Freq.		
SMRH8D38-1R8N	1.8	N	100KHz	0.0156	6.2
SMRH8D38-2R5N	2.5	N	100KHz	0.0175	5.5
SMRH8D38-3R5N	3.5	N	100KHz	0.024	4.4
SMRH8D38-4R7N	4.7	N	100KHz	0.029	4.0
SMRH8D38-6R0N	6.0	N	100KHz	0.032	3.5
SMRH8D38-100N	10	N	100KHz	0.048	2.6
SMRH8D38-150N	15	N	100KHz	0.067	2.3
SMRH8D38-220N	22	N	100KHz	0.105	1.88
SMRH8D38-330N	33	N	100KHz	0.157	1.52
SMRH8D38-470N	47	N	100KHz	0.189	1.28
SMRH8D38-680N	68	N	100KHz	0.290	1.1
SMRH8D38-101N	100	N	100KHz	0.41	0.88

MINIATURE SMD CHIP CHOKE COILS

SMRH8D43Series

Part No.	Inductance (uH)			DCR (OHM) Max	Rated DC Current (Amp)Max
	Nominal Value	Tole.	Test Freq.		
SMRH8D43-2R0N	2.0	N	100KHz	0.014	5.5
SMRH8D43-3R9N	3.9	N	100KHz	0.019	4.5
SMRH8D43-4R7N	4.7	N	100KHz	0.022	4.1
SMRH8D43-6R8N	6.8	N	100KHz	0.025	3.9
SMRH8D43-100N	10	N	100KHz	0.036	3.2
SMRH8D43-150N	15	N	100KHz	0.053	2.3
SMRH8D43-220N	22	N	100KHz	0.075	1.8
SMRH8D43-330N	33	N	100KHz	0.125	1.4
SMRH8D43-470N	47	N	100KHz	0.15	1.3
SMRH8D43-680N	68	N	100KHz	0.24	1.0
SMRH8D43-101N	100	N	100KHz	0.36	0.8

SMRH8D58Series

Part No.	Inductance (uH)			DCR (OHM) Max	Rated DC Current (Amp)Max
	Nominal Value	Tole.	Test Freq.		
SMRH8D58-2R8N	2.8	N	100KHz	0.015	4.0
SMRH8D58-3R9N	3.9	N	100KHz	0.0163	3.5
SMRH8D58-5R0N	5.0	N	100KHz	0.0175	3.1
SMRH8D58-6R2N	6.2	N	100KHz	0.02	2.7
SMRH8D58-100N	10	N	100KHz	0.0256	2.2
SMRH8D58-150N	15	N	100KHz	0.0363	1.9
SMRH8D58-220N	22	N	100KHz	0.0453	1.4
SMRH8D58-330N	33	N	100KHz	0.0653	1.3
SMRH8D58-470N	47	N	100KHz	0.0905	1.0
SMRH8D58-680N	68	N	100KHz	0.13	0.9
SMRH8D58-101N	100	N	100KHz	0.175	0.7