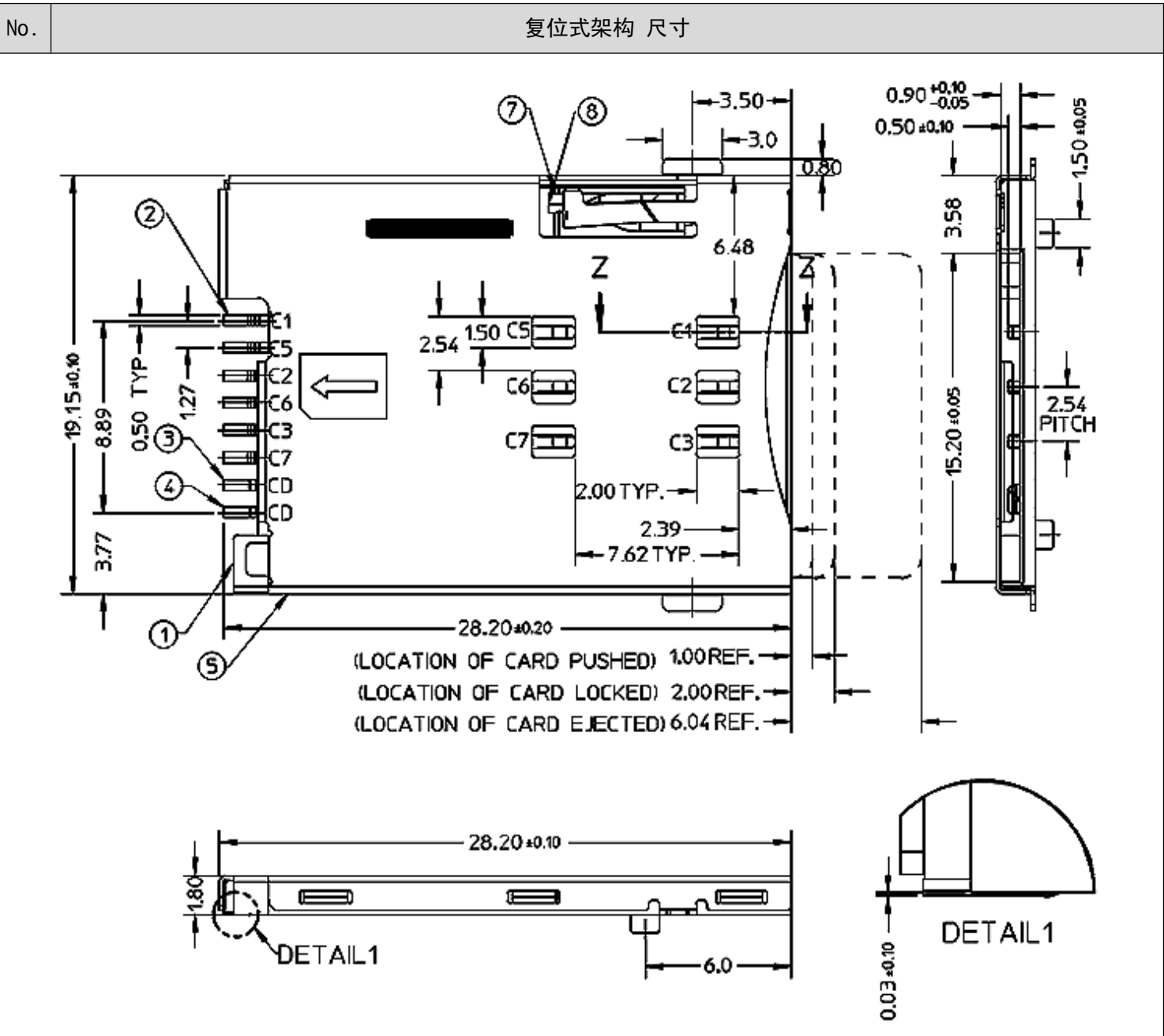
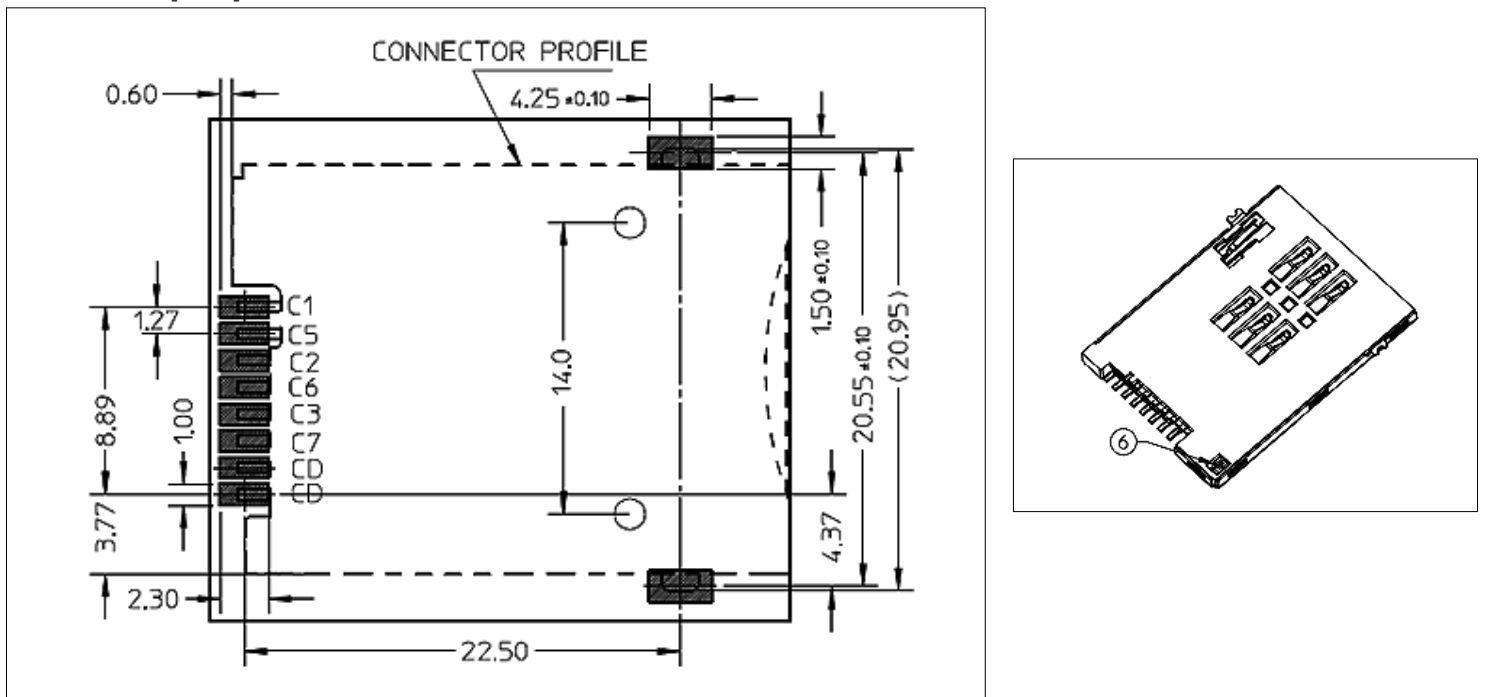


■ 外形图



■ PCB 电路图[A 向]



NOTES

1. FINISH

1-1 TERMINAL :

- 50~200 μ m NICKEL UNDER PLATED
- 15 μ m MIN GOLD PLATING ON CONTACT AREA
- 3 μ m MIN GOLD FLASH ON SOLDERING AREA

1-2 SHELL :

- 50~200 μ m NICKEL UNDER PLATED
- 3 μ m MIN GOLD FLASH ON SOLDERING AREA

1-3 DETECT PIN :

- 50~200 μ m NICKEL UNDER PLATED
- 3 μ m MIN GOLD PLATING ON CONTACT AREA
- 3 μ m MIN GOLD FLASH ON SOLDERING AREA

2. DETECT SWITCH: INSERT CARD=ON (NORMAL=OPEN)

3. I.E., TERMINAL TIP WILL SINK INTO HOUSING.

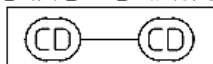
4. SPRING RISE UP DURING PUSH-PUSH PERIOD

5. PRODUCT COMPLIANT TO ROHS DIRECTIVE

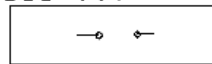
2002/95/EC AND ELV DIRECTIVE 2000/53/EC

6. PRODUCT SPECIFICATION: PS-47553-201

7. PACKAGE DRAWING: PK-47553-001



CARD INSERTED



WITHOUT CARD

No.	APPLICABLE SIM CARD 尺寸																																						
			<table border="1"> <thead> <tr> <th>NO.</th> <th>DESCRIPTION</th> <th>Q'TY</th> <th>MATERIAL</th> </tr> </thead> <tbody> <tr> <td>1</td> <td>HOUSING</td> <td>1</td> <td>HIGH TEMPERATURE THERMOPLASTIC</td> </tr> <tr> <td>2</td> <td>TERMINAL</td> <td>6</td> <td>COPPER ALLOY</td> </tr> <tr> <td>3</td> <td>DETECT PIN LOWER</td> <td>1</td> <td>COPPER ALLOY</td> </tr> <tr> <td>4</td> <td>DETECT PIN UPPER</td> <td>1</td> <td>COPPER ALLOY</td> </tr> <tr> <td>5</td> <td>SHELLL</td> <td>1</td> <td>STAINLESS STEEL</td> </tr> <tr> <td>6</td> <td>COIL SPRING</td> <td>1</td> <td>PIANO WIRE</td> </tr> <tr> <td>7</td> <td>HEART CAM</td> <td>1</td> <td>HIGH TEMPERATURE THERMOPLASTIC</td> </tr> <tr> <td>8</td> <td>CAM PIN</td> <td>1</td> <td>STAINLESS STEEL</td> </tr> </tbody> </table>	NO.	DESCRIPTION	Q'TY	MATERIAL	1	HOUSING	1	HIGH TEMPERATURE THERMOPLASTIC	2	TERMINAL	6	COPPER ALLOY	3	DETECT PIN LOWER	1	COPPER ALLOY	4	DETECT PIN UPPER	1	COPPER ALLOY	5	SHELLL	1	STAINLESS STEEL	6	COIL SPRING	1	PIANO WIRE	7	HEART CAM	1	HIGH TEMPERATURE THERMOPLASTIC	8	CAM PIN	1	STAINLESS STEEL
NO.	DESCRIPTION	Q'TY	MATERIAL																																				
1	HOUSING	1	HIGH TEMPERATURE THERMOPLASTIC																																				
2	TERMINAL	6	COPPER ALLOY																																				
3	DETECT PIN LOWER	1	COPPER ALLOY																																				
4	DETECT PIN UPPER	1	COPPER ALLOY																																				
5	SHELLL	1	STAINLESS STEEL																																				
6	COIL SPRING	1	PIANO WIRE																																				
7	HEART CAM	1	HIGH TEMPERATURE THERMOPLASTIC																																				
8	CAM PIN	1	STAINLESS STEEL																																				
	<p>APPLICABLE CARD SIZE THICKNESS: 0.76 ± 0.08</p>																																						