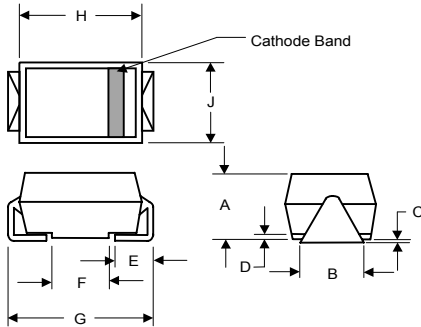


RS2A THRU RS2M

SURFACE MOUNT FAST RECOVERY RECTIFIER
 Reverse Voltage - 50 to 1000 Volts Forward Current -2.0 Ampere

DO-214AC (HSMA) (High Profile)



| DIM | DIMENSIONS | | | | NOTE |
|-----|------------|------|------|------|------|
| | INCHES | | MM | | |
| A | .078 | .116 | 1.98 | 2.95 | |
| B | .067 | .089 | 1.70 | 2.25 | |
| C | .002 | .008 | .05 | .20 | |
| D | — | .02 | — | .51 | |
| E | .035 | .055 | .89 | 1.40 | |
| F | .065 | .096 | 1.65 | 2.45 | |
| G | .205 | .224 | 5.21 | 5.69 | |
| H | .160 | .180 | 4.06 | 4.57 | |
| J | .100 | .112 | 2.57 | 2.84 | |

FEATURES

- ◆ The plastic package carries Underwriters Laboratory Flammability Classification 94V-0
- ◆ For surface mounted applications
- ◆ Low reverse leakage
- ◆ Built-in strain relief, ideal for automated placement
- ◆ High forward surge current capability
- ◆ High temperature soldering guaranteed: 250°C/10 seconds at terminals
- ◆ Glass passivated chip junction

MECHANICAL DATA

Case : JEDEC DO-214AC molded plastic body over passivated chip
Terminals : Solder plated, solderable per MIL-STD-750, Method 2026
Polarity : Color band denotes cathode end
Mounting Position : Any
Weight : 0.002 ounce, 0.07 grams

MAXIMUM RATINGS AND ELECTRICAL CHARACTERISTICS

Ratings at 25°C ambient temperature unless otherwise specified.
 Single phase half-wave 60Hz, resistive or inductive load, for capacitive load current derate by 20%.

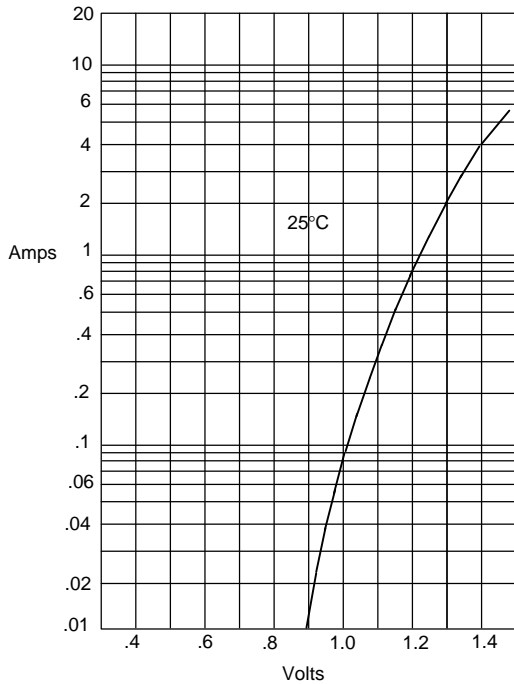
| MDD Catalog Number | SYMBOLS | RS2A | RS2B | RS2D | RS2G | RS2J | RS2K | RS2M | UNITS |
|---|-----------------|-------------|------|------|------|------|------|------|--------------------|
| Maximum repetitive peak reverse voltage | V_{RRM} | 50 | 100 | 200 | 400 | 600 | 800 | 1000 | VOLTS |
| Maximum RMS voltage | V_{RMS} | 35 | 70 | 140 | 280 | 420 | 560 | 700 | VOLTS |
| Maximum DC blocking voltage | V_{DC} | 50 | 100 | 200 | 400 | 600 | 800 | 1000 | VOLTS |
| Maximum average forward rectified current at $T_L=90^\circ\text{C}$ | $I_{(AV)}$ | 2.0 | | | | | | | Amp |
| Peak forward surge current 8.3ms single half sine-wave superimposed on rated load (JEDEC Method) | I_{FSM} | 50.0 | | | | | | | Amps |
| Maximum instantaneous forward voltage at 2.0A | V_F | 1.3 | | | | | | | Volts |
| Maximum DC reverse current $T_A=25^\circ\text{C}$ at rated DC blocking voltage $T_A=100^\circ\text{C}$ | I_R | 5.0 50.0 | | | | | | | μA |
| Maximum reverse recovery time (NOTE 1) | t_{rr} | 150 | | | 250 | | 500 | | ns |
| Typical junction capacitance (NOTE 2) | C_J | 50.0 | | | | | | | pF |
| Typical thermal resistance (NOTE 3) | $R_{\theta JA}$ | 15.0 | | | | | | | $^\circ\text{C/W}$ |
| Operating junction and storage temperature range | T_J, T_{STG} | -50 to +150 | | | | | | | $^\circ\text{C}$ |

Note: 1. Reverse recovery condition $I_F=0.5\text{A}, I_R=1.0\text{A}, I_{rr}=0.25\text{A}$
 2. Measured at 1MHz and applied reverse voltage of 4.0V D.C.
 3. P.C.B. mounted with 0.2x0.2" (5.0x5.0mm) copper pad areas

RATINGS AND CHARACTERISTIC CURVES RS2A THRU RS2M

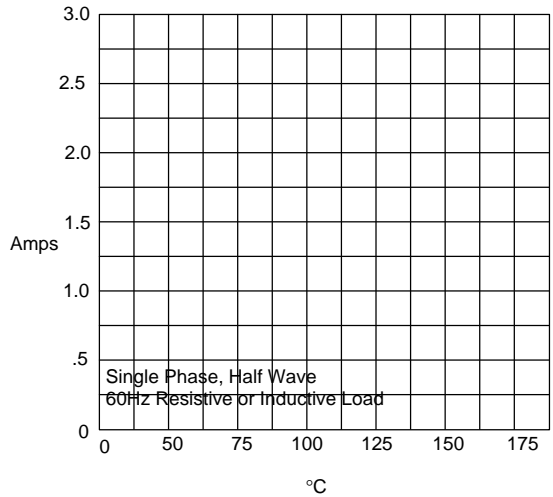
Figure 1

Typical Forward Characteristics



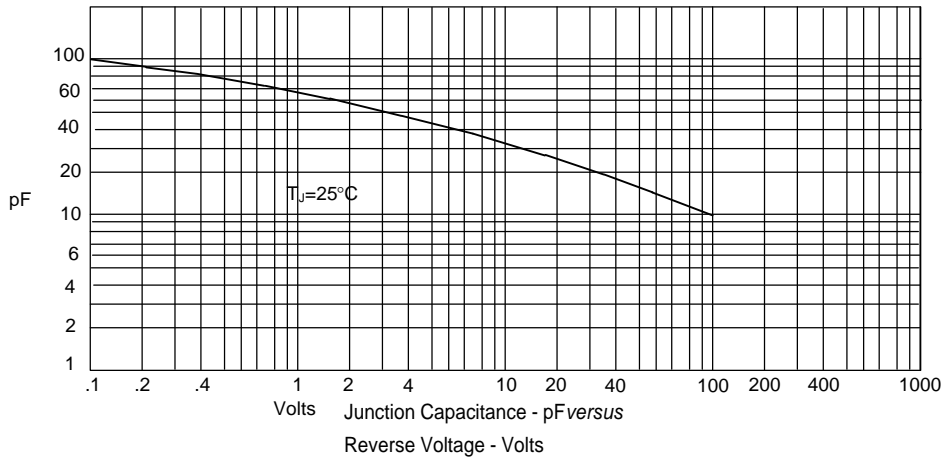
Instantaneous Forward Current - Amperes *versus*
Instantaneous Forward Voltage - Volts

Figure 2
Forward Derating Curve



Average Forward Rectified Current - Amperes *versus*
Ambient Temperature - °C

Figure 3
Junction Capacitance



RATINGS AND CHARACTERISTIC CURVES RS2A THRU RS2M

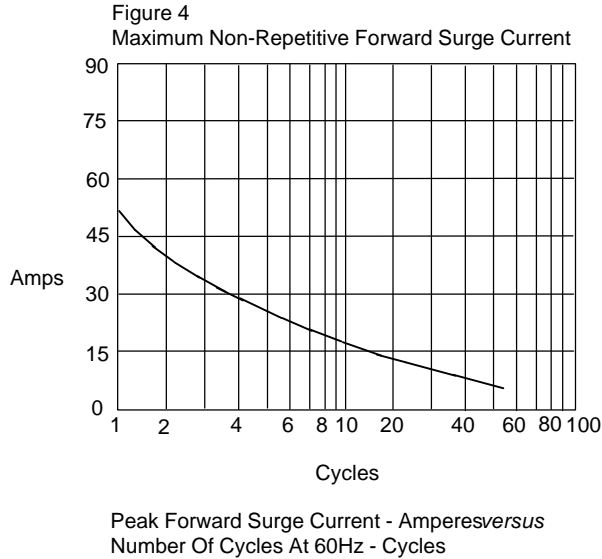
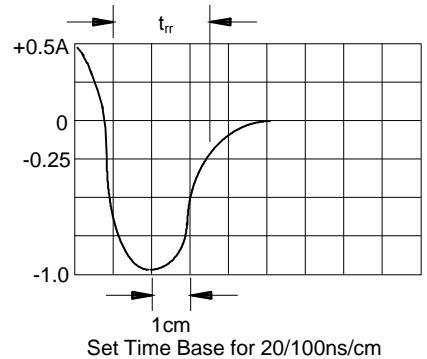
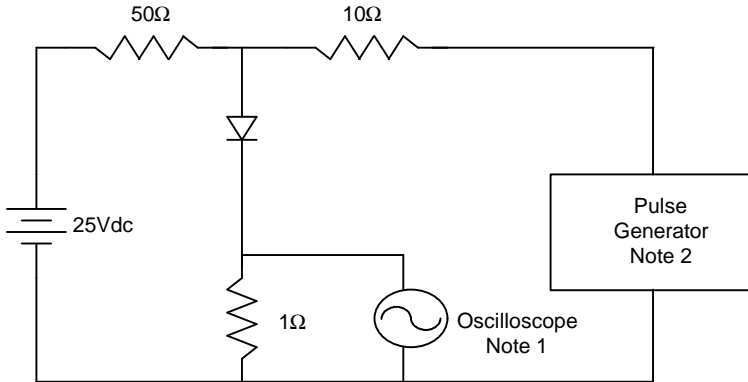


Figure 5
Reverse Recovery Time Characteristic And Test Circuit Diagram



Notes:

1. Rise Time = 7ns max.
Input impedance = 1 megohm, 22pF
2. Rise Time = 10ns max.
Source impedance = 50 ohms
3. Resistors are non-inductive