



8-directional Stick Switch (with Center-push Function) RKJXM Series

Part number		RKJXM1015001	
Number of operating shafts		Single-shaft	
Shaft material		Metal	
Stick switches	Contact resistance	8-direction & Center push	1Ω max.
	Operating angle (8-direction)		A, B, C, D direction: 10° max. AB, BC, CD, DA direction: 12° max.
	Travel (Center push)		0.3±0.2mm
Operating temperature range		-40°C to +85°C	
Ratings (max.) (Resistive load)		10mA 5V DC	
Electrical performance	Directional resolution	8-direction	
	Encoder resolution	15pulses / 360°	
	Insulation resistance	100MΩ min. 250V DC	
	Voltage proof	300V AC for 1 minute or 360V AC for 2s	
Mechanical performance	Directional operating force	Direction A, B, C, D 30±20mN·m Direction AB, BC, CD, DA 25±20mN·m	
	Push operating force	3±1.5N	
	Actuator strength	Push/pull directions	100N (Push), 50N (Pull)
Operating direction		0.3N·m	
Durability	Operating life	Directions	Total with 8-direction 100,000 cycles
		Center push	100,000 cycles
Environmental performance	Cold	-40±2°C for 500h	

Dry heat	85±2°C for 500h
----------	-----------------

Damp heat	60±2°C, 90 to 95%RH for 500h
-----------	------------------------------

Minimum order unit	Japan	1,000
--------------------	-------	-------

(pcs.)

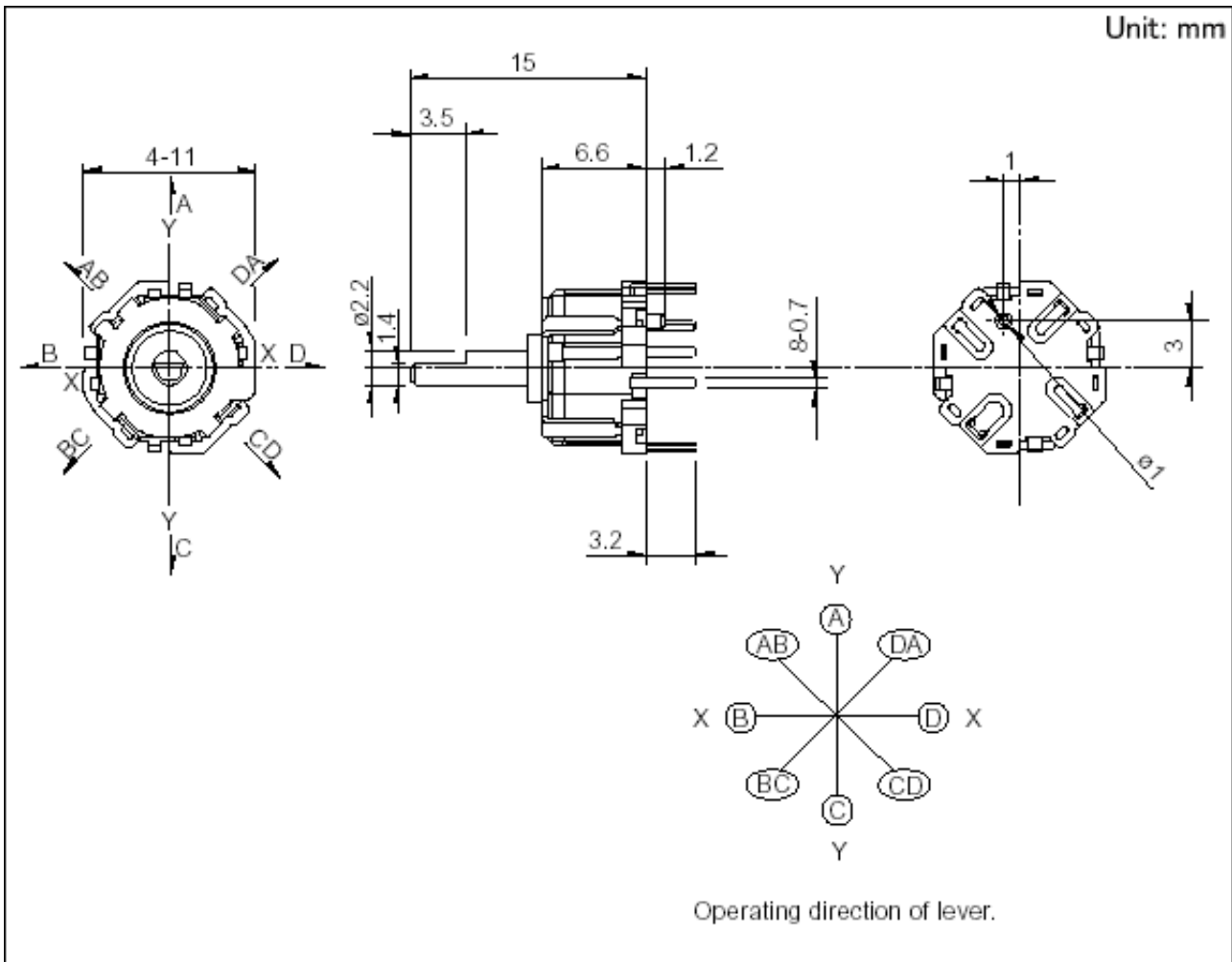
	Export	2,000
--	--------	-------

Photo

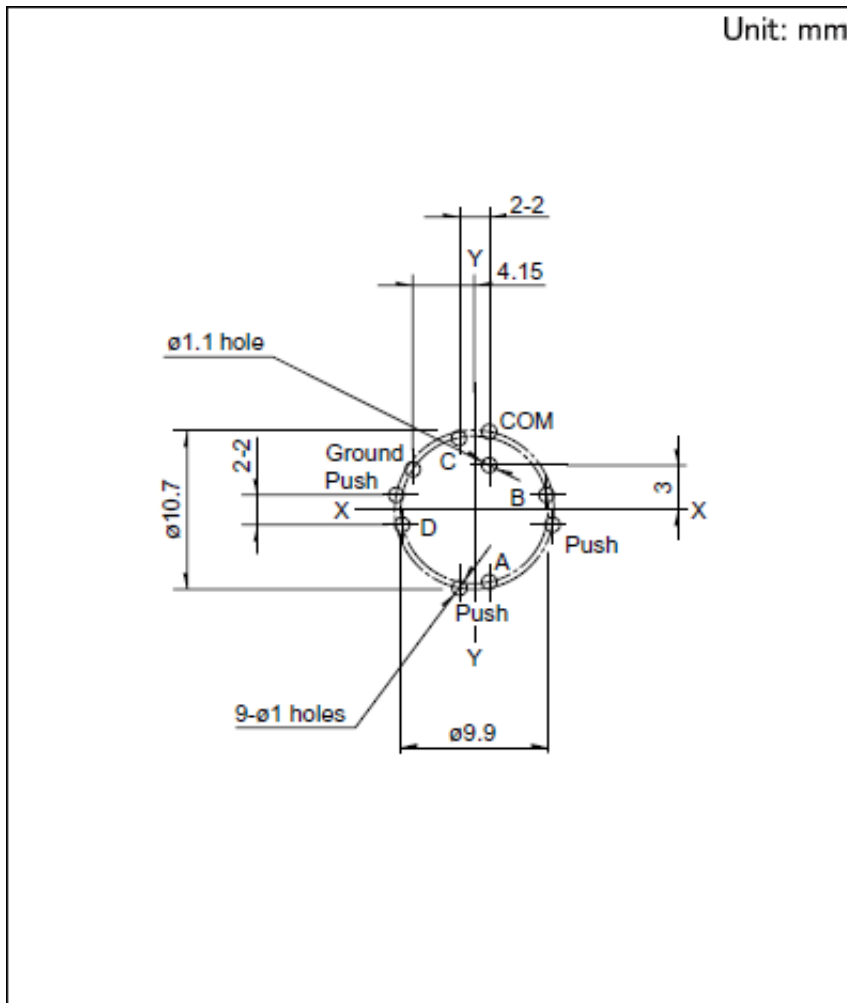


Dimensions

Unit: mm

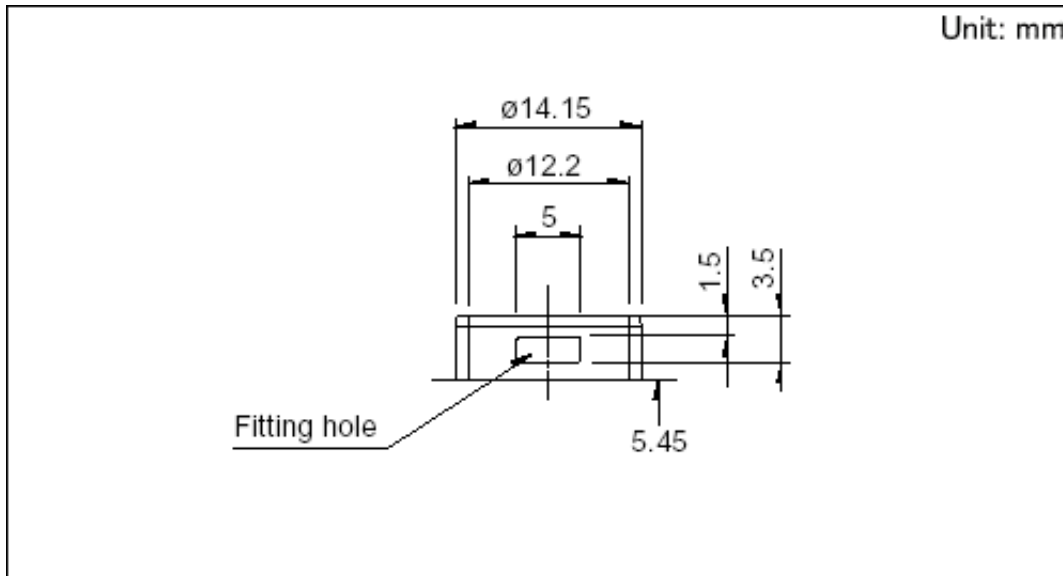


Mounting Hole Dimensions

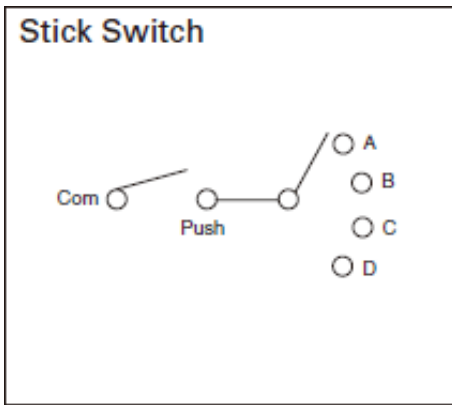


Viewed from mounting side.

Detailed Dimensions of Knob Fitting



Circuit Diagram



Output Relation Chart between Lever Position and ON Position.

Terminal	Operation procedure								
	A	AB	B	BC	C	CD	D	DA	Center Push
Com-A	ON	ON						ON	
Com-B		ON	ON	ON					
Com-C				ON	ON	ON			
Com-D						ON	ON	ON	
Com-Push	ON	ON	ON	ON	ON	ON	ON	ON	ON

Operating direction of lever.

Packing Specifications

Tray

Number of packages (pcs.)	1 case / Japan	1,000
	1 case / export packing	2,000
Export package measurements (mm)	290×405×200	

Soldering Condition

Reference for Dip Soldering

Preheating	Soldering surface temperature	100°C max.
	Heating time	2 min. max.
Dip soldering	Soldering temperature	260±5°C
	Soldering time	5±1s
No. of solders	2 time max.	

Reference for Hand Soldering

Tip temperature	350±5°C
-----------------	---------

Soldering time	3s max.
----------------	---------

No. of solders	1 time
----------------	--------

Notes are common to this series/models.

1. This site catalog shows only outline specifications. When using the products, please obtain formal specifications for supply.
2. Please place purchase orders per minimum order unit (integer).
3. This products can be used in vehicles.
Although these products are designed to perform over a wide operating temperature range, please ensure that you receive and read the formal delivery specifications before use.