



9mm Size Metal Shaft Multi-ganged Type RK097 Series

Single-shaft without switch type

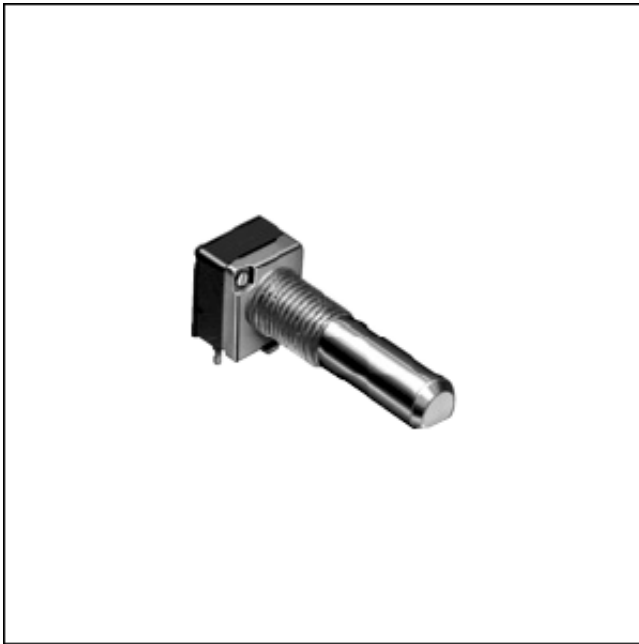
Part number	RK097111080J	
Number of resistor elements	Single-unit	
Mounting direction	Horizontal type	
Fixing method of bushing	Screw	
Shaft types	Flat	
Length of the shaft	15mm	
Center detent	Without	
Total resistance	10k Ω	
Resistance taper	15A	
Operating temperature range	-20°C to +70°C	
Electrical Performance	Total resistance tolerance	$\pm 20\%$
	Rated power	0.05W
	Maximum operating voltage	50V AC, 10V DC
	Residual resistance	20 Ω max.
	Insulation resistance	100M Ω min. 250V DC
	Voltage proof	300V AC for 1 minute
Mechanical Performance	Total rotational angle	300° $\pm 5^\circ$
	Rotational torque	2 to 25mN·m
	Stopper strength	0.5N·m
	Push-pull strength	100N max.

Vibration	10 to 55 to 10Hz/min., the amplitude is 1.5mm for all the frequencies, in the 3 direction of X, Y and Z and for 2 hours respectively
-----------	--------------------------------------------------------------------------------------------------------------------------------------

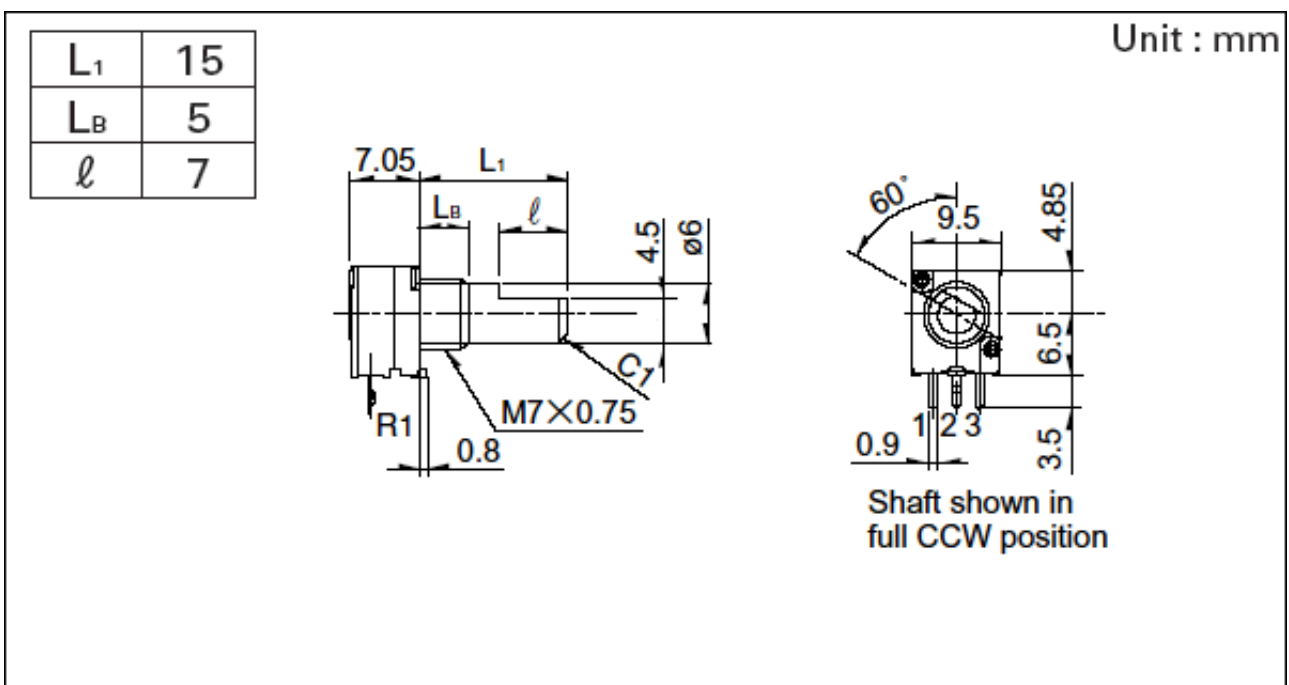
Durability	Operating life	15,000 cycles
------------	----------------	---------------

Minimum order unit (pcs.)	Japan	1,200
	Export	2,400

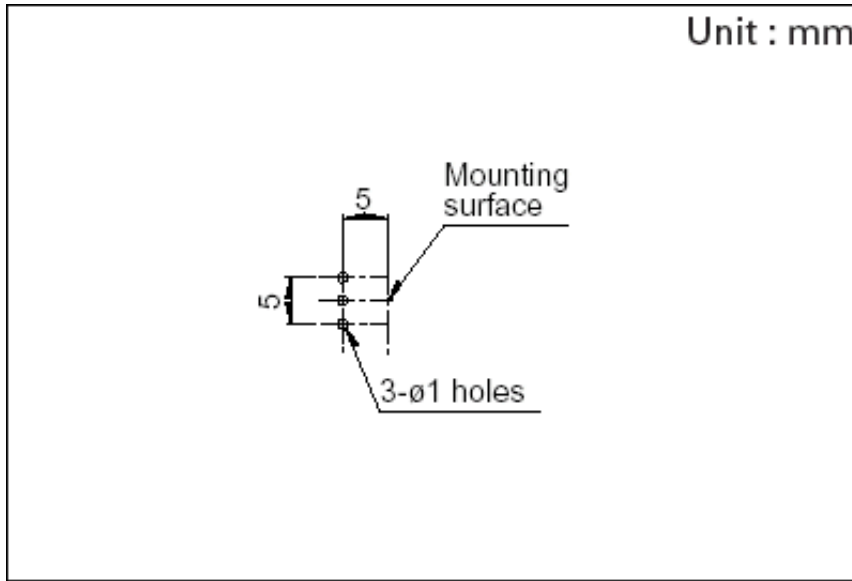
Photo



Dimensions

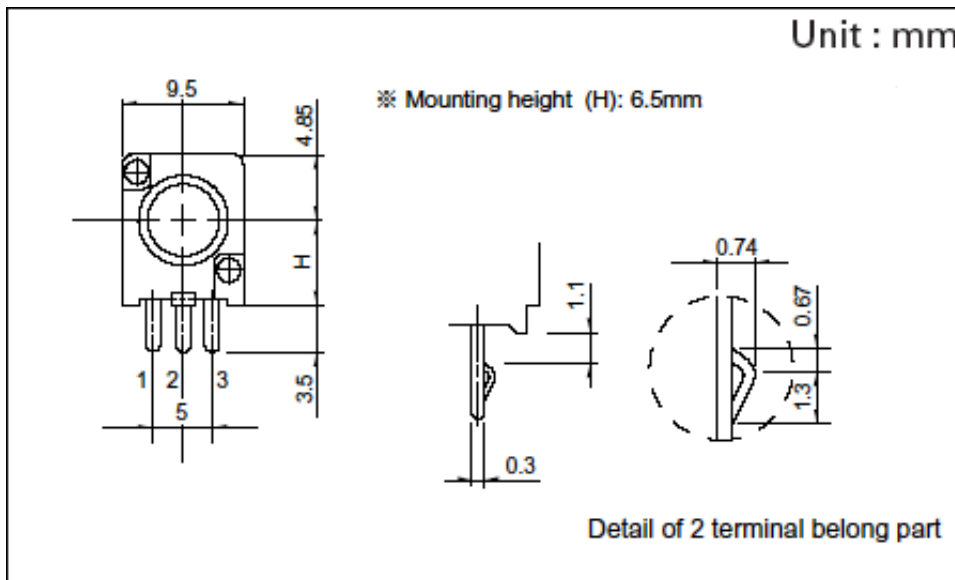


Mounting Hole Dimensions



Viewed from mounting side.

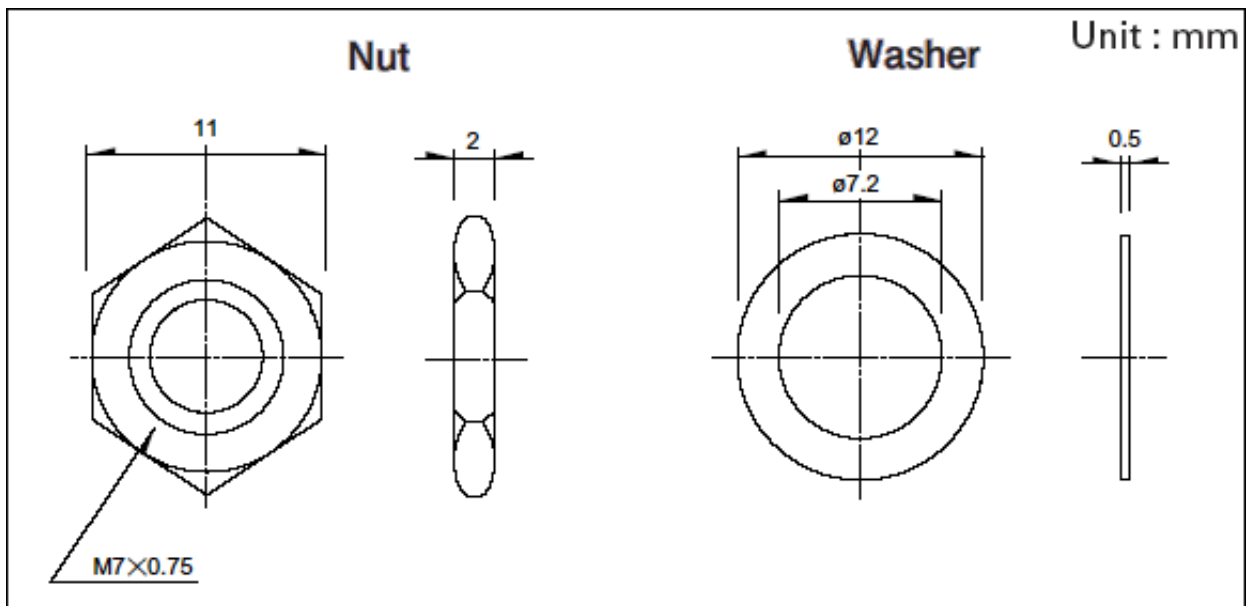
Dimensions of Terminal



Dimensions of Bushings

Bushing	M7
Dimensions	<p style="text-align: right;">Unit : mm</p> <p style="text-align: center;">Detail (A)</p>

Attached Parts



These parts are attached to the following products.

Packing Specifications

Tray

Number of packages (pcs.)	1 case / Japan	1,200
	1 case / export packing	2,400
Export package measurements (mm)		375×490×185

Soldering Conditions

Reference for Dip Soldering

Preheating	Soldering surface temperature	100°C max.
	Heating time	2 min. max.
Dip soldering	Soldering temperature	260±5°C max.
	Soldering time	5±1s
No. of solders		2 time max.

Reference for Hand Soldering

Tip temperature		350°C max.
Soldering time		3s max.
No. of solders		1 time

Notes are common to this series/models.

1. This site catalog shows only outline specifications. When using the products, please obtain formal specifications for supply.
2. For the switch attached, the single-shaft or inner shaft of the dual-shaft type can be chosen.
3. Please place purchase orders per minimum order unit (integer).
4. Products other than those listed in above products are also available. Please contact us for details.
5. This products can be used in vehicles.
Although these products are designed to perform over a wide operating temperature range, please ensure that you receive and read the formal delivery specifications before use.