

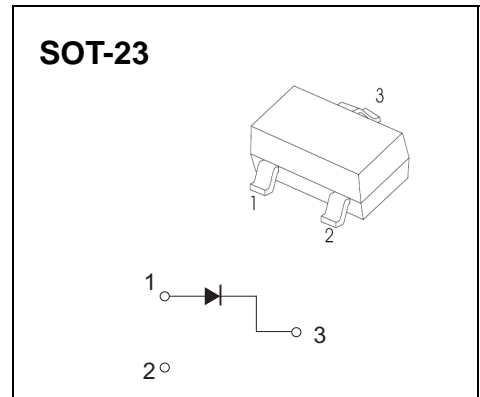


## SOT-23 Plastic-Encapsulate Diodes

**RB491D** Schottky Barrier Diode

### FEATURES

- Small surface mounting type
- Low reverse current and low forward voltage
- High reliability



Marking: D2E

### Maximum Ratings and Electrical Characteristics, Single Diode @Ta=25°C

Parameter	Symbol	Limit	Unit
Peak reverse voltage	$V_{RM}$	25	V
DC reverse voltage	$V_R$	20	V
Mean rectifying current	$I_F$	1	A
Peak forward surge current	$I_{FSM}$	3	A
Junction temperature	$T_j$	150	°C
Storage temperature	$T_{stg}$	-55~+150	°C

### Electrical Ratings @Ta=25°C

Parameter	Symbol	Min	Typ	Max	Unit	Conditions
Forward voltage	$V_F$			0.45	V	$I_F=1A$
Reverse current	$I_R$			200	μA	$V_R=20V$