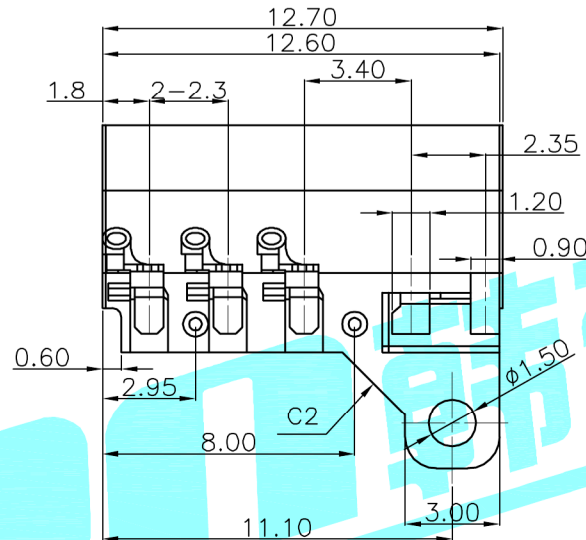
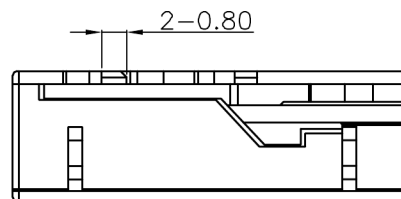
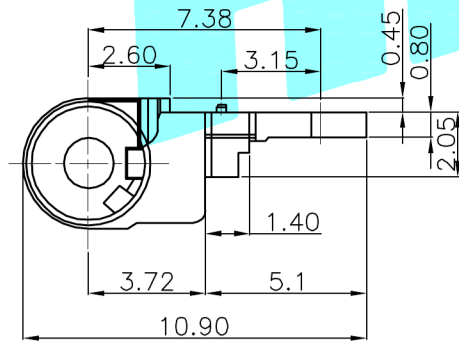
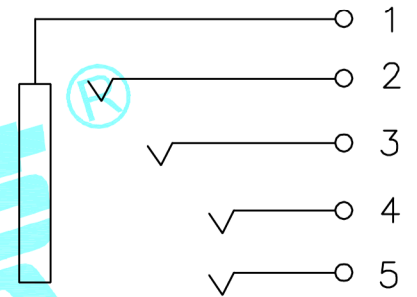


P.C.B Layout



CIRCUIT DIAGRAM



Rating:0.5A 30V DC
 Contact Resistance:100 mΩ Max.
 Operating temperature:-20℃~70℃
 Operating force:3-20N
 Operating Life:5,000cycles

②	Terminal	5	Phosphor bronze	Au Plating				
①	Housing	1	Nylon	Black				
ITEM	PART NAME	TER'NO.	QTY.	MATERIAL	FINISHING	REMARK		
APPROVALS		DATE		ELECTRONICS CO.,LTD				
DRAWN	xu qi feng	2014.11.26					TITLE:	PHONE JACKES
CHECKED				PART NO.	PJ-607			
APPROVALS				TOLERANCES ARE	30~100 : ±0.30 10~30 : ±0.20 5~10 : ±0.15 ~ 5 : ±0.10	ANGLE : UNIT: mm SCALE: 1:1 PROJ:		
ECN NO.	REV.	DATE.	DESCRIPTION.	CHANGE.	CHECK.	APPRO.	DRAWING NO.	SHEET 1 OF 1

_____	A	_____	NEW	_____	_____	_____
ECN NO.	REV.	DATE.	DESCRIPTION.	CHANGE.	CHECK.	APPRO.