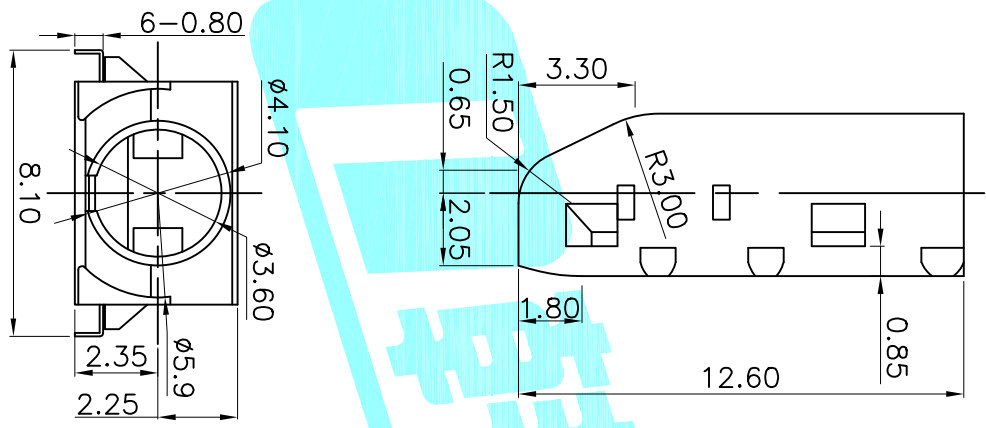
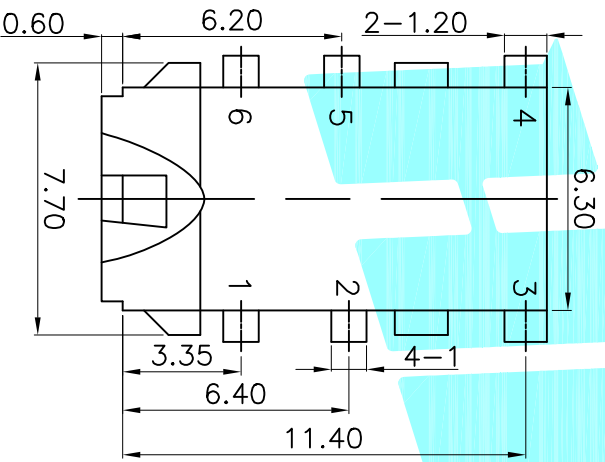
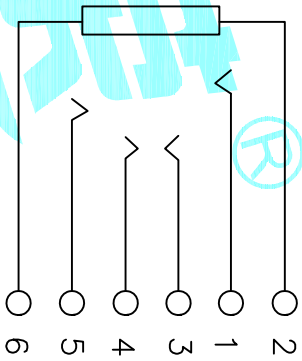


P.C.B LAYOUT



CIRCUIT DIAGRAM



Rating:0.5A 30V DC  
 Contact Resistance:100 mΩ Max.  
 Operating temperature:-20℃~70℃  
 Operating force:3-20N  
 Operating Life:5,000cycles

ECN NO.	REV.	DATE.	DESCRIPTION.	CHANGE.	CHECK.	APPRO.
	A		NEW			

② Terminal	6	Phosphor bronze	Au Plating
① Housing	1	Nylon	Black
ITEM	PART NAME	TER.NO.	QTY.
APPROVALS		DATE	
DRAWN	J.X.Zhang	2013/11/11	
CHECKED		TITLE:	PHONE JACKES
APPROVALS		PART NO.	PJ-602
TOLERANCES ARE		SCALE:	1:1
30~0.1	±0.30	ANGLE	
10~0.30	±0.20	UNIT:	mm
5~10	±0.15	DRAWING NO.	
~5	±0.10		
		±2'	
			SHEET 1 OF 1

**HONG**  
 ELECTRONICS CO.,LTD