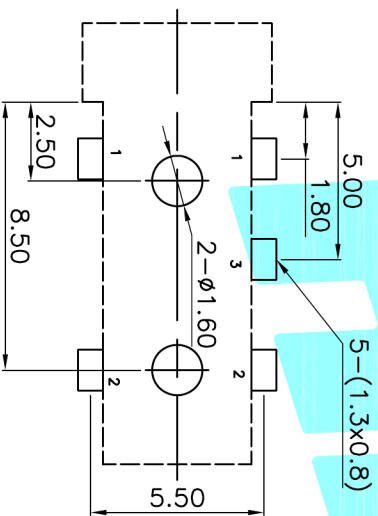


P.C.B Layout (copper-sided view)



Rating:0.5A 30V DC
 Contact Resistance:100 mΩ Max.
 Operating temperature:-20℃~70℃
 Operating force:3~20N
 Operating Life:5,000cycles

A=ø5	PJ-3133
Schematic	

DRAWN		J.X.Zhong		2013/11/11		TITLE:		PHONE JACKETS		
CHECKED						PART NO.		PJ-3133		
APPROVALS						SCALE:		1:1		
TERMINALS ARE		30~ø1.1		±0.30		ANGLE		PRD-ø		
5~10		±0.15		±2°		UNIT:		mm		
~5		±0.10				DRAWING NO.		SHEET 1 OF 1		
ECN NO.	REV.	DATE.	DESCRIPTION.	CHANGE.	CHECK.	APPRO.				
	A		NEW							



ELECTRONICS CO.,LTD