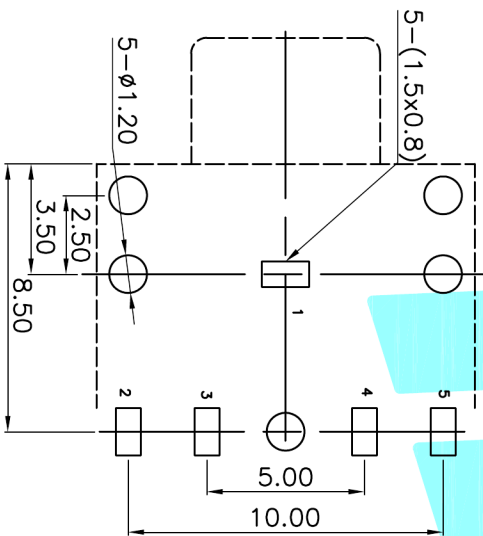


P.C.B Layout (copper-sided view)



Rating:0.5A 30V DC
 Contact Resistance:100 mΩ Max.
 Operating temperature:-20℃~70℃
 Operating force:3-20N
 Life:5,000cycles

P/N	PJ-3126-A	PJ-3126-B	PJ-3126-C	PJ-3126-D
	PJ-3126A-A PJ-3126B-A	PJ-3126A-B PJ-3126B-B	PJ-3126A-C PJ-3126B-C	PJ-3126A-D PJ-3126B-D
Schematic				

②	Terminal	5	Phosphor bronze	Au Plating		
①	Housing	1	Nylon	Black		
ITEM	PART NAME	TER.NO.	QTY.	MATERIAL	FINISHING	REMARK
APPROVALS		DATE	ELECTRONICS CO.,LTD			
DRAWN		J.X.Zhang	2013/11/11	PHONE JACKES		
CHECKED				PJ-3126		
APPROVALS				SCALE: 1:1		
TOLERANCES ARE		30~0.11	±0.30	ANGLE	UNIT: mm	PROJ.
		10~0.30	±0.20		SCALE: 1:1	SHEET 1 OF 1
		5~10	±0.15	±2'		
		~ 5	±0.10			
ECN NO.	REV.	DATE.	DESCRIPTION.	CHANGE.	CHECK.	APPRO.
	A		NEW			