



FEATURES

- 5% Constant Voltage Regulation, 5% Constant Current Regulation at Universal AC input
- Primary-side Sensing and Regulation Without TL431 and Opto-coupler
- Programmable CV and CC Regulation
- Adjustable Constant Current and Output Power Setting
- Built-in Secondary Constant Current Control with Primary Side Feedback
- Built-in Adaptive Current Peak Regulation
- Built-in Primary winding inductance compensation
- Programmable Cable drop Compensation
- Power on Soft-start
- Built-in Leading Edge Blanking (LEB)
- Cycle-by-Cycle Current Limiting
- VIN Under Voltage Lockout with Hysteresis(UVLO)
- VIN OVP
- VIN Clamp

APPLICATIONS

Low Power AC/DC offline SMPS for

- Cell Phone Charger
- Digital Cameras Charger
- Small Power Adapter
- Auxiliary Power for PC, TV etc.
- Linear Regulator/RCC Replacement

GENERAL DESCRIPTION

MT6513 is a high performance offline PWM Power switch for low power AC/DC charger and adapter applications. It operates in primary-side sensing and regulation. Consequently, opto-coupler and TL431 could be eliminated. Proprietary Constant Voltage (CV) and Constant Current (CC) control is integrated as shown in the figure below.

In CC control, the current and output power setting can be adjusted externally by the sense resistor R_s at ISEN pin. In CV control, multi-mode operations are utilized to achieve high performance and high efficiency. In addition, good load regulation is achieved by the built-in cable drop compensation. Device operates in PFM in CC mode as well at large load condition and it operates in PWM with frequency reduction at light/medium load.

MT6513 offers power on soft start control and protection coverage with auto-recovery features including Cycle-by-Cycle current limiting, VIN OVP, VIN clamp and UVLO. Excellent EMI performance is achieved with frequency shuffling technique.

High precision constant voltage (CV) and constant current (CC) can be achieved by MT6513.

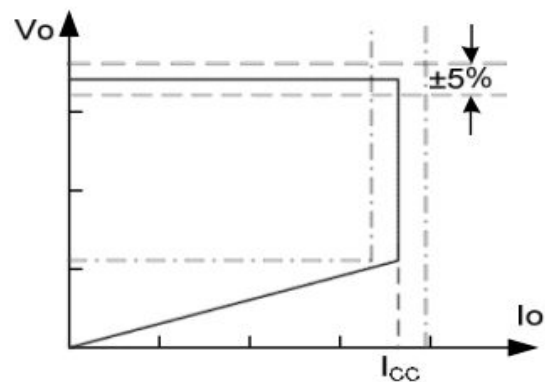
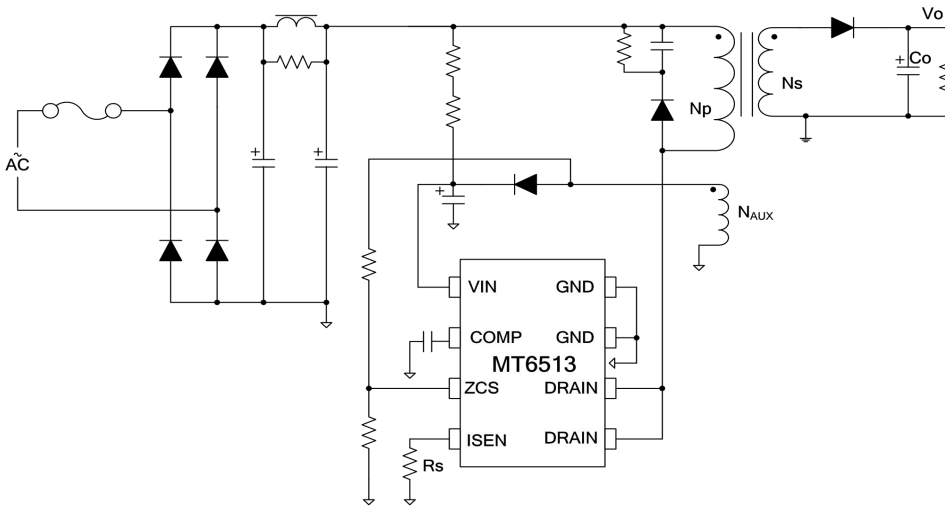


Fig.1. Typical CC/CV Curve

TYPICAL APPLICATION

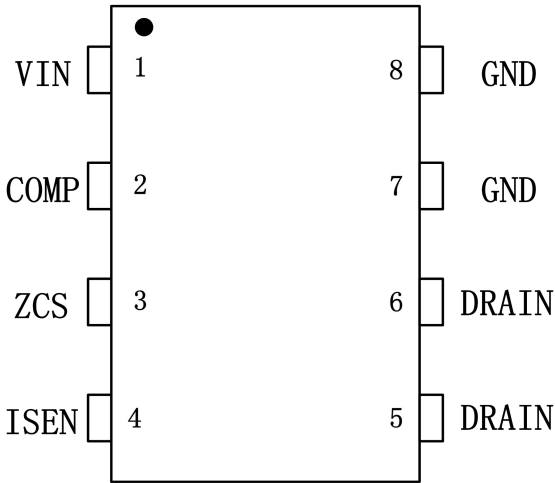


Aerosemi Confidential

GENERAL INFORMATION

Pin Configuration

The pin map is shown as below for SOP8



Package Dissipation Rating

Package	R θ JA (°C/W)
SOP 8	90

NOTE: Drain Pin Connected 100mm² PCB copper clad.

Parameter	Value
Drain Voltage (off state)	-0.3V to Bvdss
VIN Zener Clamp Continuous Current	10 mA
COMP Voltage	-0.3 to 7V
ISEN Input Voltage	-0.3 to 7V
ZCS Input Voltage	-0.3 to 7V
Min/Max Operating Junction Temperature T _J	-20 to 150°C
Min/Max Storage Temperature T _{stg}	-55 to 150°C
Lead Temperature (Soldering, 10secs)	260°C

Ordering Information

Part Number	Description
MT6513CP	SOP8,Pb-free,Tube
MT6513CPA	SOP8,Pb-free,T&R

Note: Stresses beyond those listed under “absolute maximum ratings” may cause permanent damage to the device. These are stress ratings only, functional operation of the device at these or any other conditions beyond those indicated under “recommended operating conditions” is not implied. Exposure to absolute maximum-rated conditions for extended periods may affect device reliability.

TERMINAL ASSIGNMENTS

Pin Num	Pin Name	I/O	Description
1	VIN	P	Power Supply
2	COMP	I	Loop Compensation for CV Stability
3	ZCS	I	The voltage feedback from auxiliary winding. Connected to resistor divider From auxiliary winding reflecting output voltage. PWM duty cycle is determined by EA output and current sense signal at pin4.
4	ISEN	P	Current Sense
5,6	DRAIN	O	HV MOSFET Drain Pin. The Drain pin is connected to the primary lead of the transformer
7,8	GND	P	Ground

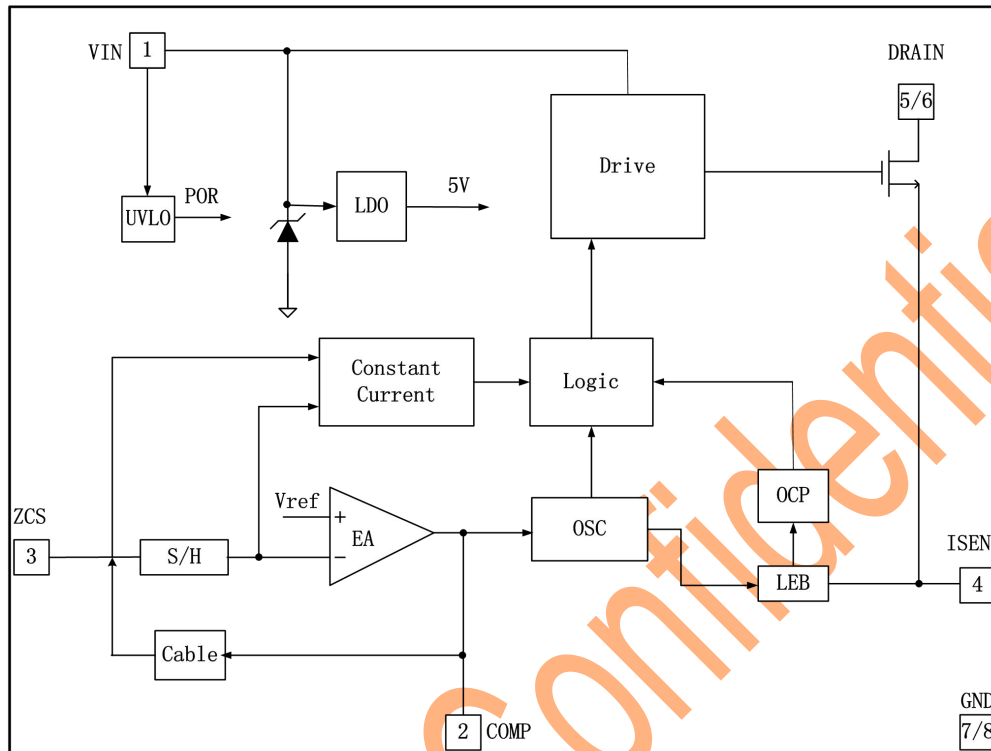
OUTPUT POWER TABLE

Product	230VAC±15%	85-264VAC
	Adapter	Adapter
MT6513	8W	5W

Notes:

- Maximum practical continuous power in an Adapter design with sufficient drain pattern as a heat sink, at 50°C ambient.

BLOCK DIAGRAM



ELECTRICAL CHARACTERISTICS

($T_A = 25^{\circ}\text{C}$, $V_{IN} = 16\text{V}$, if not otherwise noted)

Symbol	Parameter	Test Conditions	Min	Typ	Max	Unit
Supply Voltage(VIN) Section						
$I_{DD\text{-}ST}$	Stand by Current	$V_{IN} = 13\text{V}$		5	20	μA
$I_{DD\text{-}op}$	Operation Current	Operation supply current $ZCS = 2\text{V}$, $I_{SEN} = 0\text{V}$, $V_{IN} = 20\text{V}$	-	2	3	mA
UVLO(OFF)	V_{IN} Under Voltage Lock out Enter	V_{IN} falling	8	9	10	V
UVLO(ON)	V_{IN} Under Voltage Lockout Exit	V_{IN} rising	13.5	14.8	16.0	V
V_{IN_clamp}	Maximum V_{IN} operation voltage	$I_{DD} = 10\text{mA}$	27	28.5	30	V
OVP	Over voltage protection Threshold	Ramp V_{IN} until gate shutdown	26	27.5	29	V
Current Sense Input Section						
TLEB	LEB time			625		ns
V_{th_oc}	Over current threshold		880	910	940	mV
T_{d_oc}	OCP Propagation delay			150		ns
ZSENSE_IN	Input Impedance		50			Kohm
T_{ss}	Soft start time			17		ms
Frequency Section						
Freq_Max	IC Maximum frequency		55	60	65	KHz
Freq_Nom	System Nominal switch frequency			50		KHz
Freq_startup		$ZCS = 0\text{V}$, $\text{Comp} = 5\text{V}$		14		KHz
$\Delta f/\text{Freq}$	Frequency shuffling range			± 4		$\%$
Error Amplifier section						
V_{ref_EA}	Reference voltage for EA		1.97	2	2.03	V
Gain	DC gain of EA			60		dB
$I_{_COMP_MAX}$	Max. Cable compensation current	$ZCS = 2\text{V}$, $\text{Comp} = 0\text{V}$		37.5		μA
Power MOSFET Section						
BV_{dss}	MOSFET Drain-Source Break down Voltage		600			V
R_{dson}	On Resistance	Static, $I_d = 0.4\text{A}$		10		Ω

Note:

1. Freq_Max indicates IC internal maximum clock frequency. In system application, the maximum operation frequency of 60Khz nominal occurs at maximum output power or the transition point from CV to CC.

OPERATION DESCRIPTION

MT6513 is a cost effective PWM power switch optimized for off-line low power AC/DC applications including battery chargers and adapters. It operates in primary side sensing and regulation, thus opto-coupler and TL431 are not required. Proprietary built-in CV and CC control can achieve high precision CC/CV control meeting most adapter and charger application requirements.

Start up current and Start up control

Start up current of MT6513 is designed to be very Low so that VIN could be charged up above UVLO threshold and starts up quickly. A large value start-up resistor can therefore be used to minimize the power loss in application.

Operating Current

The Operating current of MT6513 is as low as 2.5mA. Good efficiency is achieved with the low operating current together with 'Multi-mode' control features.

Soft Start

MT6513 features an internal soft start to minimize the component electrical over-stress during power on start-up. As soon as VIN reaches UVLO (ON), the control algorithm will ramp peak current voltage threshold gradually from nearly zero to normal setting of 0.90V. Every restart is a soft start.

CC/CV Operation

MT6513 is designed to produce good CC/CV control characteristic as shown in the Fig.1. In charger applications, a discharged battery charging starts in the CC portion of the curve until it is nearly full charged and smoothly switches to operate in CV portion of the curve. In an AC/DC adapter, the normal operation occurs only on the CV portion of the curve. The CC portion provides output current limiting. In CV operation, the output voltage is regulated through the primary side control. In CC operation mode, MT6513 will regulate the output current constant regardless of the output voltage drop.

Principle of Operation

To support MT6513 proprietary CC/CV control, system needs to be designed in DCM mode for fly-back system (Refer to Typical Application Diagram on page 1).

In the DCM fly-back converter, the output voltage can be sensed via the auxiliary winding. During MOSFET turn-on time, the load current is supplied from the output filter capacitor Co. The current in the primary winding ramps up. When MOSFET turns off, the primary current transfers to the secondary at the amplitude of

$$I_s = \frac{N_p}{N_s} \times I_p \quad (1)$$

The auxiliary voltage reflects the output voltage as shown in Figure.2 and it is given by

$$V_{AUX} = \frac{N_{AUX}}{N_s} \times (V_o + \Delta V) \quad (2)$$

Where ΔV indicates the drop voltage of the output Diode.

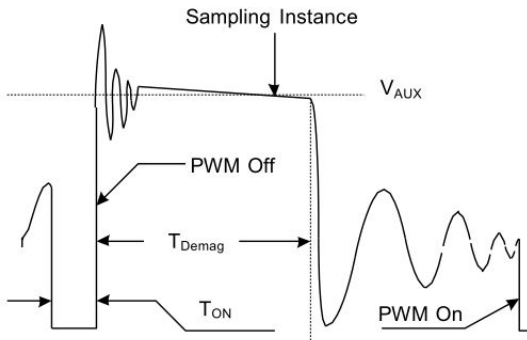


Figure 2. Auxiliary voltage waveform

Via a resistor divider connected between the auxiliary winding and ZCS (pin 3), the auxiliary voltage is sampled at the end of the demagnetization and it is hold until the next sampling. The sampled voltage is compared with Vref (2.0V) and the error is amplified. The error amplifier output COMP reflects the load condition and controls the PWM switching frequency to regulate the output voltage, thus constant output voltage can be achieved.

When sampled voltage is below Vref and the error amplifier output COMP reaches its maximum, the switching frequency is controlled by the sampled voltage thus the output voltage to regulate the output current, thus the constant output current can be achieved.

Adjustable CC point and Output Power

In MT6513, the CC point and maximum output power can be externally adjusted by external current sense resistor Rs at ISEN pin as illustrated in Typical Application Diagram. The output power is adjusted through CC point change. The larger Rs, the smaller CC point is, and the smaller output power becomes, and vice versa as shown in Fig.3

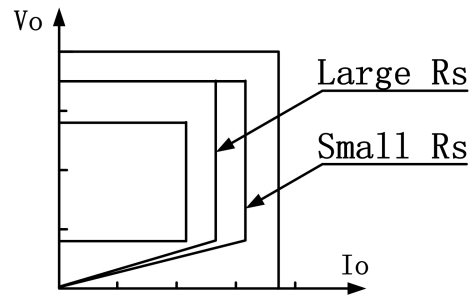


Figure 3. Adjustable output power by changing Rs

Operation switching frequency

The switching frequency of MT6513 is adaptively controlled according to the load conditions and the operation modes. No external frequency setting components are required. The operation switching frequency at maximum output power is set to 60K Hz internally.

For fly-back operating in DCM, The maximum Output power is given by

$$P_{MAX} = \frac{1}{2} \times L_p \times F_{SW} \times I_p^2 \quad (3)$$

Where Lp indicate the inductance of primary winding and Ip is the peak current of primary winding. Refer to the equation 3, the change of the primary winding inductance results in the change of the maximum output power and the constant output current in CC mode. To compensate the change from variations of primary winding inductance, the switching frequency is locked by an internal loop such that the switching frequency is

$$F_{SW} = \frac{1}{2T_{Demag}} \quad (4)$$

Since TDemag is inversely proportional to the inductance, as a result, the product Lp and fsw is constant, thus the maximum output power and constant current in CC mode will not change as primary winding inductance changes. Up to

±10% variation of the primary winding

inductance can be compensated.

Frequency shuffling for EMI improvement

The frequency shuffling (switching frequency modulation) is implemented in MT6513. The oscillation frequency is modulated so that the tone energy is spread out. The spread spectrum minimizes the conduction band EMI and therefore eases the system design.

Current Sensing and Leading Edge Blanking

Cycle-by-Cycle current limiting is offered in MT6513 current mode PWM control. The switch current is detected by a sense resistor into the ISEN pin. An internal leading edge blanking circuit chops off the sensed voltage spike at initial internal power MOSFET on state so that the external RC filtering on sense input is no longer needed. The PWM duty cycle is determined by the current sense input voltage and the EA output voltage.

Gate Drive

The internal power MOSFET in MT6513 is driven by a dedicated gate driver for power switch control. Too weak the gate drive strength results in higher conduction and switch loss of MOSFET while too strong gate drive compromises EMI.

A good trade-off is achieved through the built-in totem pole gate design with right output strength control.

Programmable Cable drop Compensation

In MT6513, cable drop compensation is implemented to achieve good load regulation. An offset voltage is generated at ZCS by an internal current flowing into the resistor divider. The current is inversely proportional to the voltage across pin COMP, as a result, it is inversely proportional to the output load current, thus the drop due to the cable loss can be compensated. As the load current decreases from full-load to no-load, the offset voltage at ZCS will increase. It can also be programmed by adjusting the resistance of the divider to compensate the drop for various cable lines used.

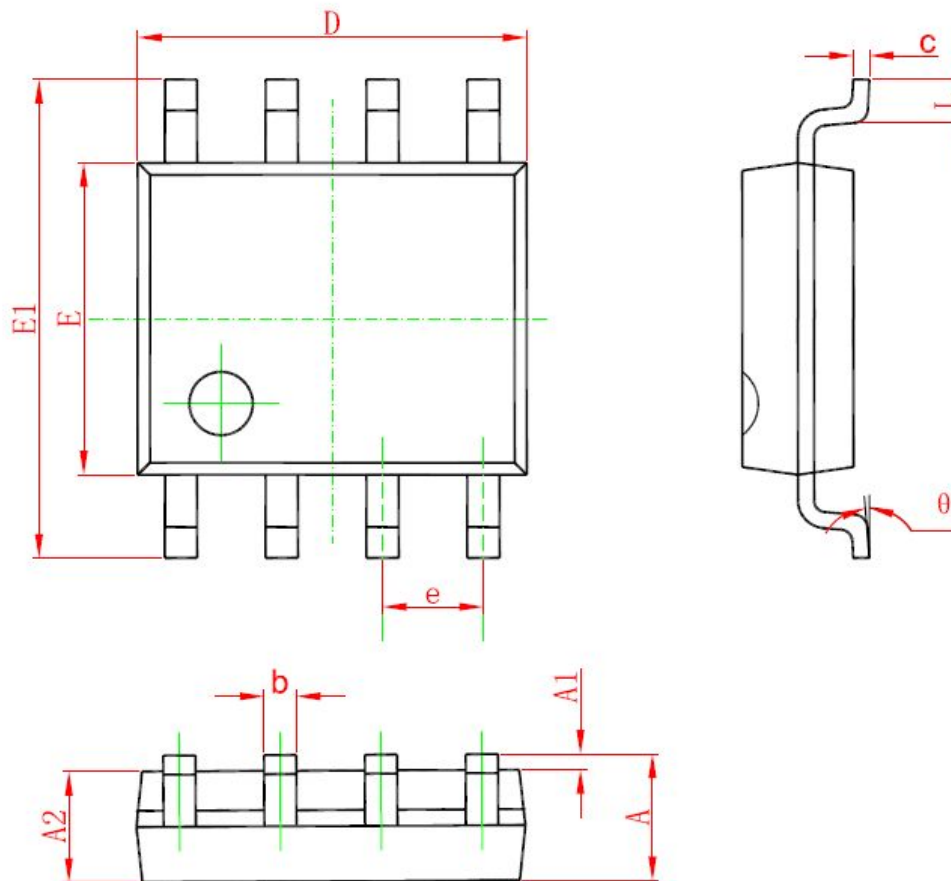
Protection Control

Good power supply system reliability is achieved with its rich protection features including Cycle-by-Cycle current limiting (OCP), VIN clamp, Power on Soft Start, and Under Voltage Lockout on VIN (UVLO).

VIN is supplied by transformer auxiliary winding output. The output of MT6513 is shut down when VIN drops below UVLO (OFF) limit and Switcher enters power on start-up sequence thereafter.

PACKAGE MECHANICAL DATA

SOP8 PACKAGE OUTLINE DIMENSIONS



Symbol	Dimensions In Millimeters		Dimensions In Inches	
	Min	Max	Min	Max
A	1.350	1.750	0.053	0.069
A1	0.050	0.250	0.002	0.010
A2	1.250	1.650	0.049	0.065
b	0.310	0.510	0.012	0.020
c	0.170	0.250	0.006	0.010
D	4.700	5.150	0.185	0.203
E	3.800	4.000	0.15	0.157
E1	5.800	6.200	0.228	0.244
e	1.270 (BSC)		0.05 (BSC)	
L	0.400	1.270	0.016	0.050
theta	0°	8°	0°	8°