



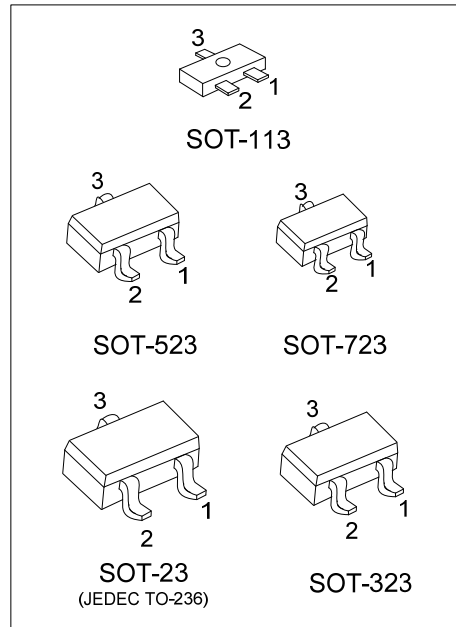
# MMBT1815

## NPN SILICON TRANSISTOR

### HIGH FREQUENCY NPN AMPLIFIER TRANSISTOR

■ FEATURES

- \* Collector-Emitter Voltage:  $BV_{CEO}=50V$
- \* Collector Current up to 150mA
- \* High  $h_{FE}$  Linearity
- \* Complement to MMBT1015



■ ORDERING INFORMATION

Ordering Number	Package	Pin Assignment			Packing
		1	2	3	
MMBT1815G-x-AC3-R	SOT-113	E	B	C	Tape Reel
MMBT1815G-x-AE3-R	SOT-23	E	B	C	Tape Reel
MMBT1815G-x-AL3-R	SOT-323	E	B	C	Tape Reel
MMBT1815G-x-AN3-R	SOT-523	E	B	C	Tape Reel
MMBT1815G-x-AQ3-R	SOT-723	E	B	C	Tape Reel

Note: Pin Assignment: E: Emitter B: Base C: Collector

<p>MMBT1815G-x-AC3-R</p>	<p>(1) R: Tape Reel                  (2) AC3: SOT-113, AE3: SOT-23, AL3: SOT-323, AN3: SOT-523, AQ3: SOT-723                  (3) x: refer to Classification of <math>h_{FE1}</math>                  (4) G: Halogen Free and Lead Free</p>
--------------------------	---------------------------------------------------------------------------------------------------------------------------------------------------------------------------------------------------------------------------------------------------------

■ MARKING

PACKAGE	MARKING		
SOT-23	Y 	GR 	BL 
	SOT-113 / SOT-323 / SOT-523 		SOT-723 

# MMBT1815

## NPN SILICON TRANSISTOR

■ ABSOLUTE MAXIMUM RATING (  $T_A=25^{\circ}\text{C}$  , unless otherwise specified )

PARAMETER		SYMBOL	RATINGS	UNIT
Collector-Base Voltage		$V_{CBO}$	60	V
Collector-Emitter Voltage		$V_{CEO}$	50	V
Emitter-Base Voltage		$V_{EBO}$	5	V
Collector Dissipation ( $T_A=25^{\circ}\text{C}$ )	SOT-23	$P_C$	250	mW
	SOT-523/SOT-113/SOT-323		200	
	SOT-723		190	
Collector Current		$I_C$	150	mA
Base Current		$I_B$	50	mA
Junction Temperature		$T_J$	150	$^{\circ}\text{C}$
Storage Temperature		$T_{STG}$	-55 ~ +150	$^{\circ}\text{C}$

Note Absolute maximum ratings are those values beyond which the device could be permanently damaged. Absolute maximum ratings are stress ratings only and functional device operation is not implied.

■ ELECTRICAL CHARACTERISTICS ( $T_A=25^{\circ}\text{C}$ , unless otherwise specified)

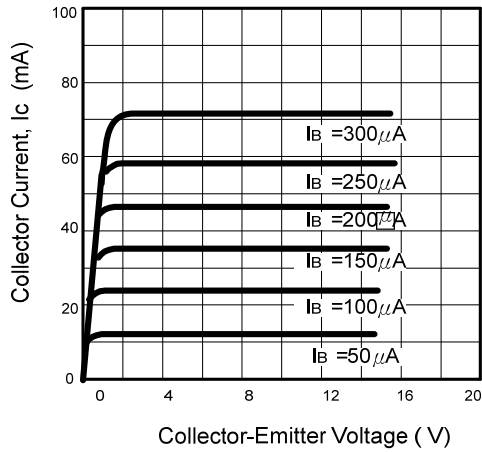
PARAMETER	SYMBOL	TEST CONDITIONS	MIN	TYP	MAX	UNIT
Collector-Base Breakdown Voltage	$BV_{CBO}$	$I_C = 100\mu\text{A}, I_E = 0$	50			V
Collector-Emitter Breakdown Voltage	$BV_{CEO}$	$I_C = 10\text{mA}, I_B = 0$	50			V
Emitter-Base Breakdown Voltage	$BV_{EBO}$	$I_E = 10\mu\text{A}, I_C = 0$	5			V
Collector-Emitter Saturation Voltage	$V_{CE(SAT)}$	$I_C = 100\text{mA}, I_B = 10\text{mA}$		0.1	0.25	V
Base-Emitter Saturation Voltage	$V_{BE(SAT)}$	$I_C = 100\text{mA}, I_B = 10\text{mA}$			1.0	V
Collector Cut-off Current	$I_{CBO}$	$V_{CB} = 60\text{V}, I_E = 0$			100	nA
Emitter Cut-off Current	$I_{EBO}$	$V_{EB} = 5\text{V}, I_C = 0$			100	nA
DC Current Gain	$h_{FE1}$	$V_{CE} = 6\text{V}, I_C = 2\text{mA}$	120		700	
	$h_{FE2}$	$V_{CE} = 6\text{V}, I_C = 150\text{mA}$	25			
Transition Frequency	$f_T$	$V_{CE} = 10\text{V}, I_C = 50\text{mA}$	80			MHz
Output Capacitance	$C_{OB}$	$V_{CB} = 10\text{V}, I_E = 0, f = 1\text{MHz}$		2.0	3.0	pF
Noise Figure	NF	$I_C = 0.1\text{mA}, V_{CE} = 6\text{V}$ $R_G = 10\text{k}\Omega, f = 100\text{Hz}$		1.0	1.0	dB

■ CLASSIFICATION OF  $h_{FE1}$

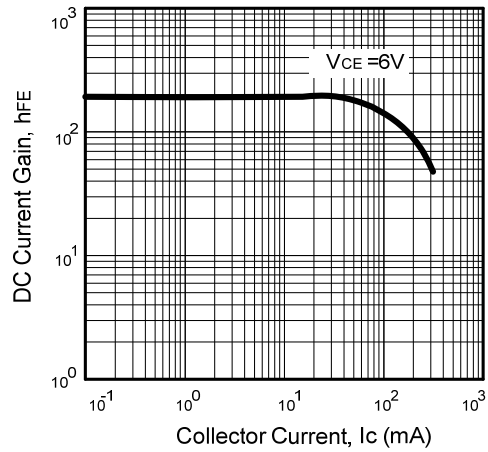
RANK	Y	GR	BL
RANGE	120-240	200-400	350-700

## TYPICAL CHARACTERISTICS

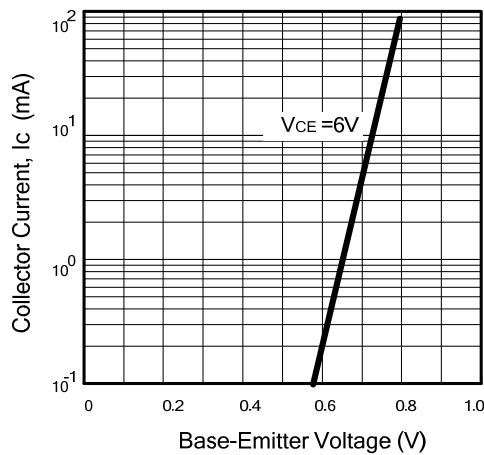
Static Characteristics



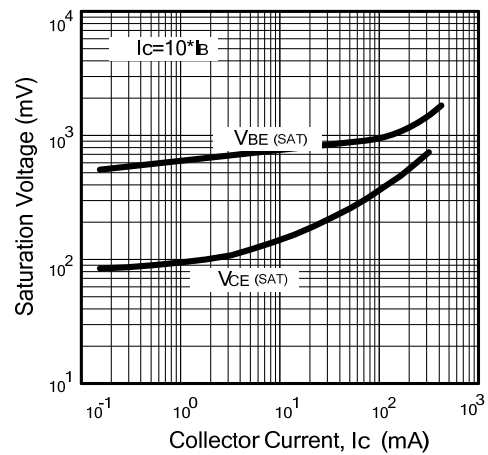
DC Current Gain



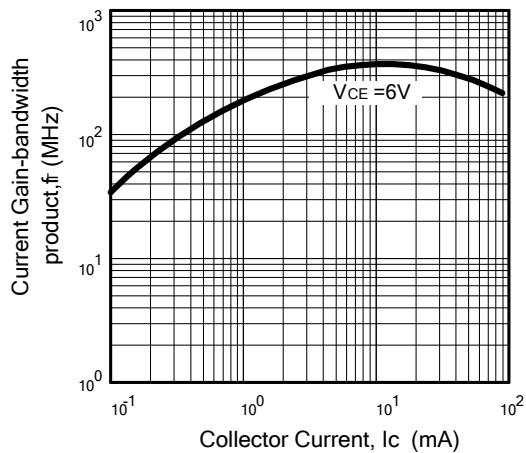
Base-Emitter On Voltage



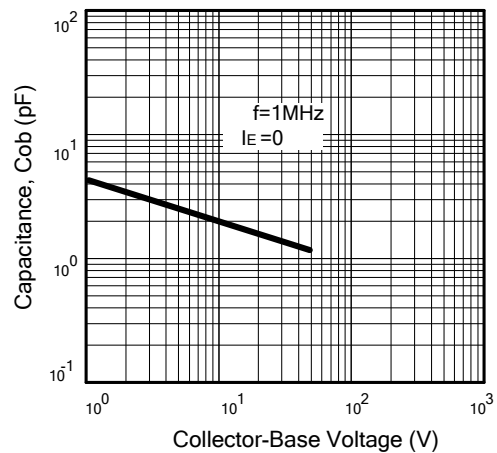
Saturation Voltage



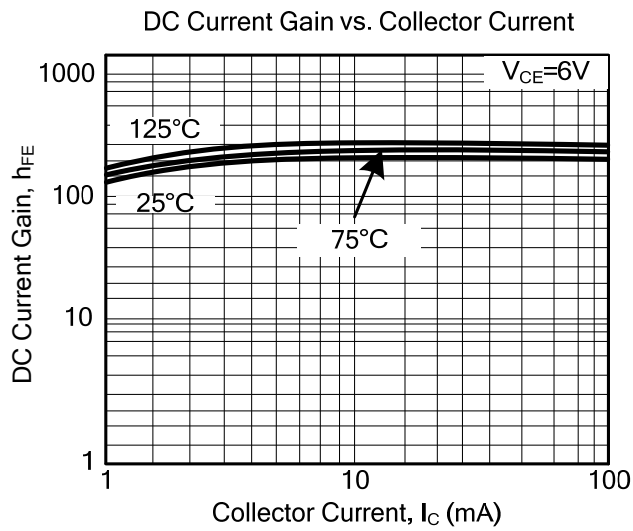
Current Gain-Bandwidth Product



Collector Output Capacitance



### ■ TYPICAL CHARACTERISTICS (Cont.)



UTC assumes no responsibility for equipment failures that result from using products at values that exceed, even momentarily, rated values (such as maximum ratings, operating condition ranges, or other parameters) listed in products specifications of any and all UTC products described or contained herein. UTC products are not designed for use in life support appliances, devices or systems where malfunction of these products can be reasonably expected to result in personal injury. Reproduction in whole or in part is prohibited without the prior written consent of the copyright owner. The information presented in this document does not form part of any quotation or contract, is believed to be accurate and reliable and may be changed without notice.