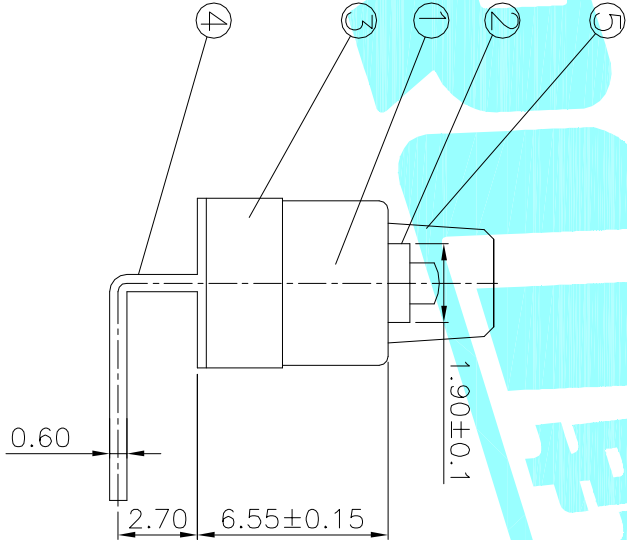
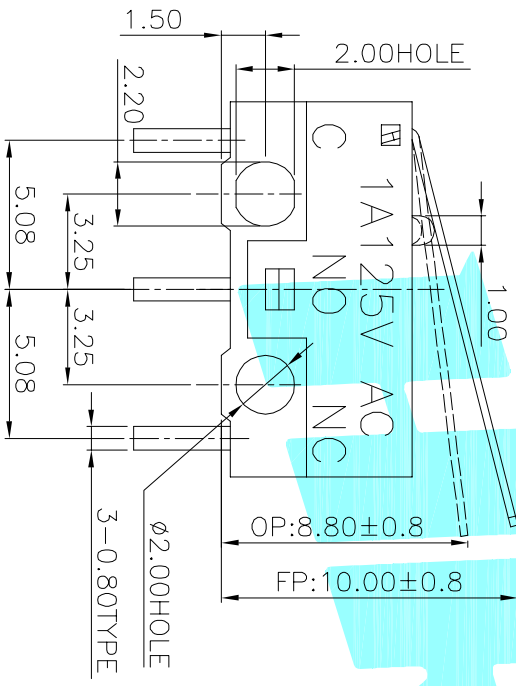


Circuit Diagram

P.C.B layout



- NOTE:
1. Rating:DC30V 0.1A
 2. OP:8.80±0.8
 3. Operating force:30±15gf
 4. Mechanical Life:3,000,000

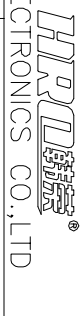
⑦	Shrapnel	1	Beryllium Copper		
⑥	Contact	1	Copper	Plating silver	
⑤	Lever	1	Stainless Steel		
④	Terminal	3	C2680(0.50t)	Plating silver	
③	Housing	1	PBT	White	
②	Knob	1	POM	Red	
①	Cover	1	PBT	Black	

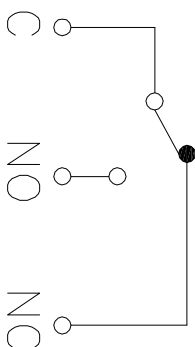
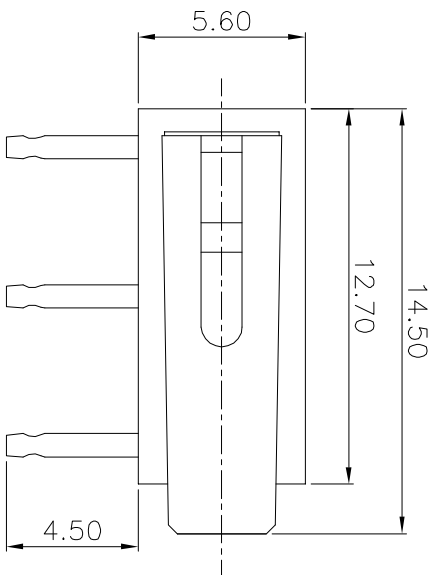
APPROVALS	DATE	
DRAWN	xu qi feng	2014.12.01
CHECKED		
APPROVALS		

TOLERANCES ARE	30~61t ±	±0.30	ANGLE	
	10~30	±0.20		
	5~10	±0.15	±2°	
	~ 5	±0.10		

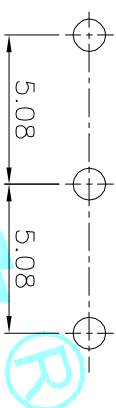
TITLE:	MICRO SWITCHS
PART NO.	K9-1267B-R(3.0)
SCALE:	1:1
PROJ.	
DRAWING NO.	
SHEET	1 OF 1

ECN NO.	REV.	DATE.	DESCRIPTION.	CHANGE.	CHECK.	APPRO.
	A		NEW			

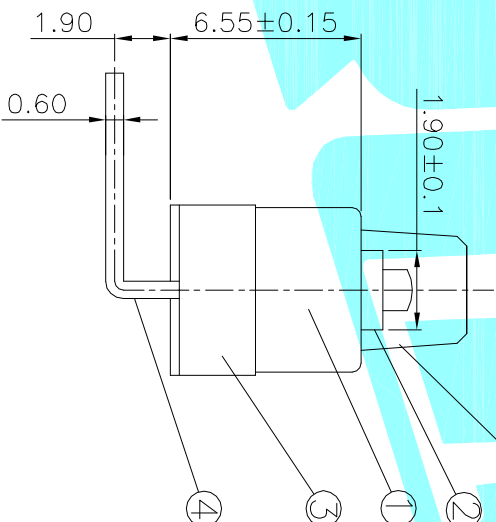
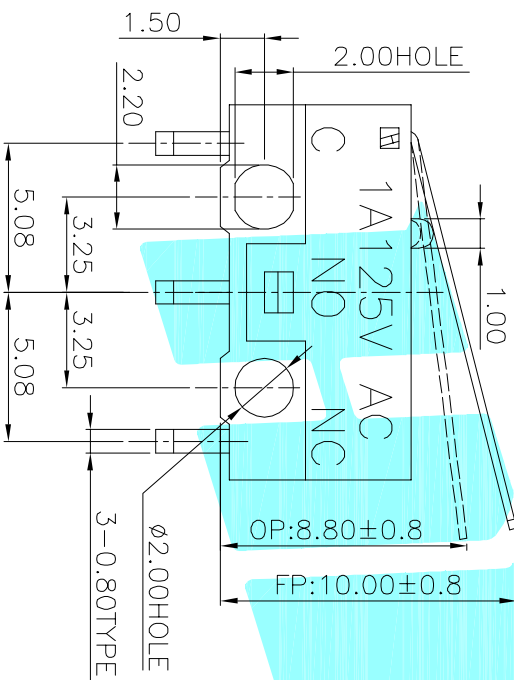




Circuit Diagram



P.C.B layout



- NOTE:
1. Rating: DC30V 0.1A
 2. OP: 8.80±0.8
 3. Operating force: 30±15gf
 4. Mechanical Life: 3,000,000

⑦	Shrapnel	1	Beryllium Copper			
⑥	Contact	1	Copper	Plating silver		
⑤	Lever	1	Stainless Steel			
④	Terminal	3	C2680(0.50t)	Plating silver		
③	Housing	1	PBT	White		
②	Knob	1	POM	Red		
①	Cover	1	PBT	Black		
ITEM	PART NAME	TER'NO.	QTY.	MATERIAL	FINISHING	REMARK

APPROVALS		DATE	ELECTRONICS CO.,LTD		
DRAWN	J.X.Zhang	2013/6/4	MICRO SWITCHS		
CHECKED					
APPROVALS			K9-1267B-L		

ECN NO.	REV.	DATE.	DESCRIPTION.	CHANGE.	CHECK.	APPRO.	TOLERANCES ARE	ANGLE	UNIT.	SCALE.	DRAWING NO.	SHEET
	A		NEW				30~0.1t ±	±0.30	mm	1:1		1 of 1
							10~0.30	±0.20				
							5~10	±0.15				
							~ 5	±2'				