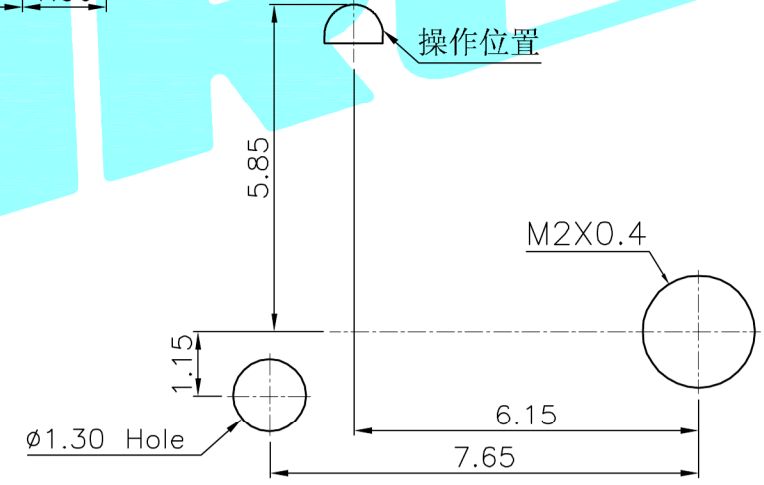


操作位置

NOTE:
Operating Force: 40±10gf



⑤	Contact Spring	—	1	Phosphor Bronze	Ag Plated	—
④	Terminal	—	2	Phosphor Bronze	Ag Plated	—
③	Base	—	1	PA46	Black	—
②	Cover	—	1	PA46	Black	—
①	Slider	—	1	PA46	Black	—
ITEM	PART NAME	TER'NO.	QTY.	MATERIAL	FINISHING	REMARK

APPROVALS		DATE	 ELECTRONICS CO.,LTD			
DRAWN	J.X.Zhang	2013/8/29				
CHECKED			TITLE:	DETECTOR SWITCHS		
APPROVALS			PART NO.	K5-1610DA-01		
TOLERANCES ARE	30~以下	±0.30	ANGLE	UNIT: mm	SCALE: 1:1	PROJ:
	10~30	±0.20				
	5~10	±0.15				
	~ 5	±0.10				
			DRAWING NO.			
			SHEET	1 OF 1		

ECN NO.	REV.	DATE.	DESCRIPTION.	CHANGE.	CHECK.	APPRO.
	A		NEW			