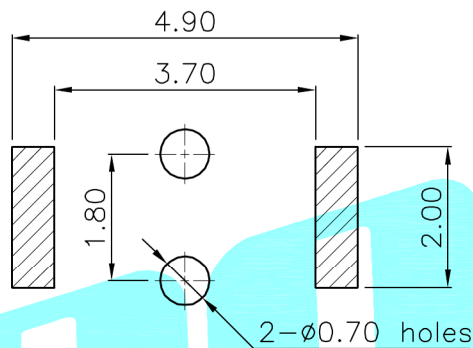
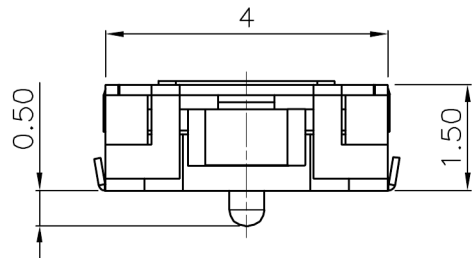
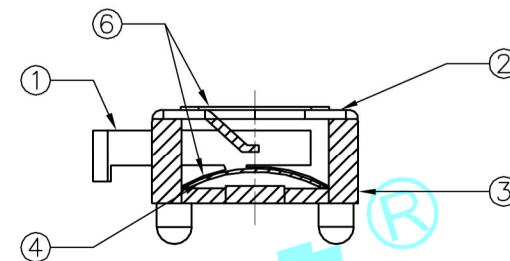
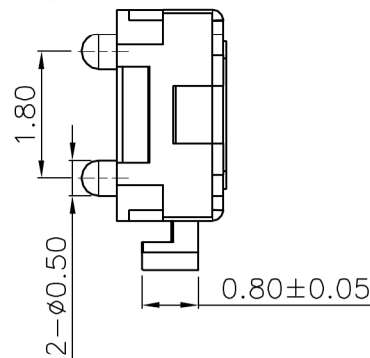
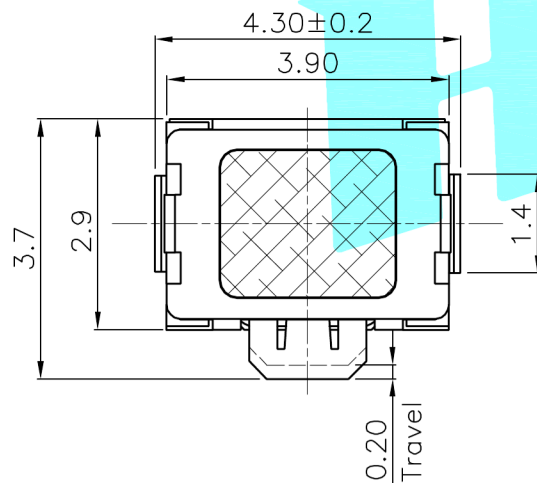




Circuit Diagram



PCB Layout(Pattern side)



NO.1	
PART NO	vigor
1	90±30
2	130±30
3	180±30
4	250±30
5	350±50

NO.3-NO.4	
PART NO	NOTE
01~99	SERIAL NUMBER

NO.2	
PART NO	MATERIAL /QTY
S	SUS/1PC
D	SUS/2PCS

PART NO.
K2-1820UA
K2-1820UN

⑥	Dust cover	—	2	Kapton film	Yellow	—
⑤	Terminal	—	4	Brass	Plating silver	—
④	Contact	—	1	SUS	Plating silver	—
③	Base	—	1	LCP	White	—
②	Cover	—	1	Brass	Plating silver	—
①	Knob	—	1	PA46	Black	—
ITEM	PART NAME	TER'NO.	QTY.	MATERIAL	FINISHING	REMARK

APPROVALS		DATE	HRO 韓泰 ELECTRONICS CO.,LTD				
DRAWN	J.X.Zhang	2014/3/18	TITLE:	TACT SWITCHS			
CHECKED			PART NO.	K2-1820U□-A□□W-□□			
APPROVALS			TOLERANCES ARE	30~以下: ±0.30 10~30: ±0.20 5~10: ±0.15 ~ 5: ±0.10	ANGLE	UNIT: mm	
				±2'	DRAWING NO.	SCALE: 1:1	
ECN NO.	REV.	DATE.	DESCRIPTION.	CHANGE.	CHECK.	APPRO.	PROJ:
	A		NEW				SHEET 1 OF 1

ECN NO.	REV.	DATE.	DESCRIPTION.	CHANGE.	CHECK.	APPRO.
	A		NEW			