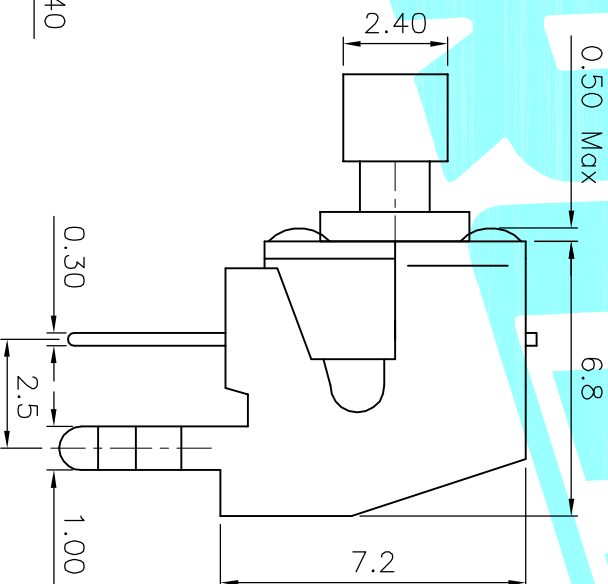
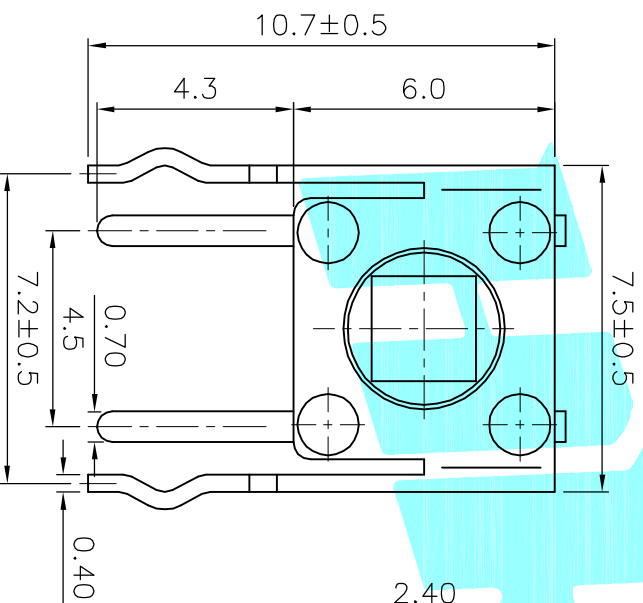
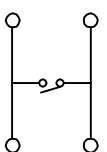


PCB layout(Pattern side)



| NO.2 | |
|---------|--------------|
| PART NO | MATERIAL/QTY |
| 1 | 90±30 vigor |
| 2 | 130±30 |
| 3 | 180±30 |
| 4 | 250±30 |
| 5 | 350±50 |

| NO.3 | |
|---------|--------------|
| PART NO | MATERIAL/QTY |
| S | SUS/1PC |
| C | C5210/1PC |
| D | SUS/2PCS |
| F | C5210/2PCS |



Circuit Diagram

| NO.4-NO.5 | |
|-----------|---------------|
| PART NO | NOTE |
| 01~99 | SERIAL NUMBER |

| ITEM | PART NAME | TER'NO. | QTY. | MATERIAL | FINISHING | REMARK |
|------|-----------|---------|------|-------------|----------------|--------|
| ⑤ | Terminal | — | 4 | Brass(0.30) | Plating silver | — |
| ④ | Contact | — | 1 | F.Ag/SUS | — | — |
| ③ | Base | — | 1 | Nylon | Black | — |
| ② | Cover | — | 1 | SPCC | Plating Nickel | — |
| ① | Keystroke | — | 1 | PA46 | Black | — |

| APPROVALS | | DATE | |
|-----------|------------|------|------------|
| DRAWN | xu qi feng | DATE | 2014.12.04 |



ELECTRONICS CO.,LTD

| APPROVALS | | TITLE: | | PART NO. | | SCALE: | | PROJ.: | |
|--------------|--------|--------------|--|-------------------|--|--------|--|--------|--|
| CHECKED | | TACT SWITCHS | | K2-1102AT-AD0W-00 | | 1:1 | | PROJ.: | |
| APPROVALS | | DRAWING NO. | | SHEET 1 OF 1 | | | | | |
| APPRO.: | | | | | | | | | |
| CHANGE: | | | | | | | | | |
| DESCRIPTION: | NEW | | | | | | | | |
| ECN NO. | REV. A | DATE: | | | | | | | |