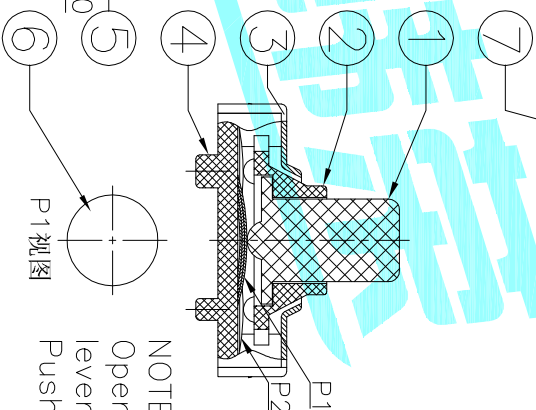
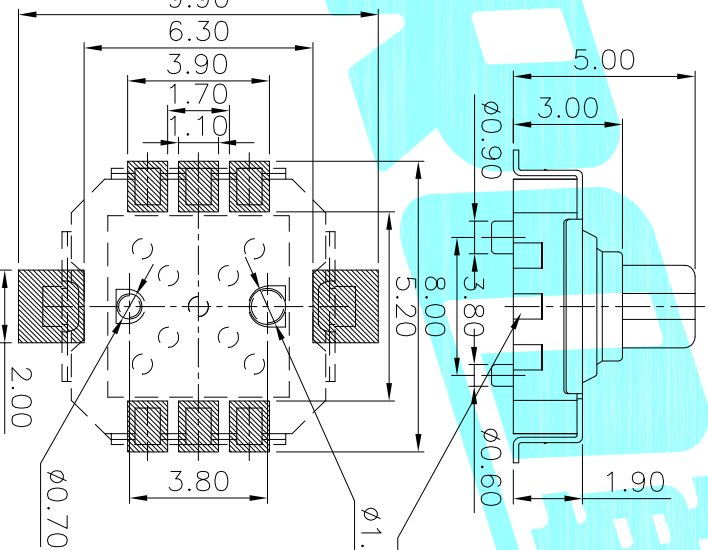
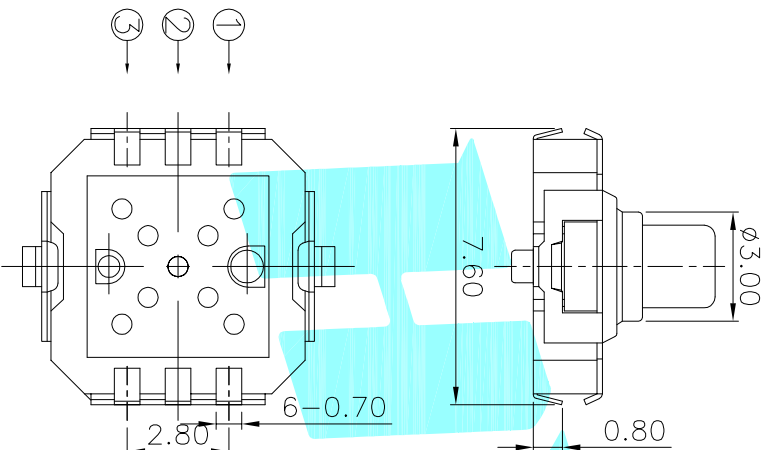


Circuit Diagram



NOTE:
Operating Force:
lever portion 160 ± 35 gf
Push portion 250 ± 35 gf

PCB Layout(Pattern Side)

ITEM	PART NAME	TER'NO.	QTY.	MATERIAL	FINISHING	REMARK
⑦	Contact 2	—	2	F.Ag/SUS	—	—
⑥	Contact 1	—	1	F.Ag/SUS	—	—
⑤	Terminal	—	6	Brass(0.15t)	Plating silver	—
④	Base	—	1	LCP	Black	—
③	Cover	—	1	SUS	—	—
②	Axle sleeve	—	1	LCP	Black	—
①	Keystroke	—	1	PA46	Black	—

APPROVALS		DATE
DRAWN	J.X.Zhang	2013/7/23

ECN NO.	REV.	DATE.	DESCRIPTION.	CHANGE.	CHECK.	APPRO.
—	A	—	NEW	—	—	—

APPROVALS		TITLE:
CHECKED	—	MULTIFUNCTIONAL SWITCHS
APPROVALS	—	PART NO. K1-5202UA-03
TOLERANCES ARE	30~以上 ±0.30 10~30 ±0.20 5~10 ±0.15 ~5 ±0.10	ANGLE ±2°
—	—	UNIT: mm
—	—	SCALE: 1:1
—	—	DRAWING NO.
—	—	PROJ: —
—	—	SHEET 1 OF 1



ELECTRONICS CO.,LTD