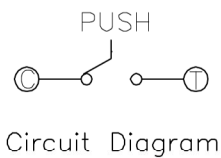


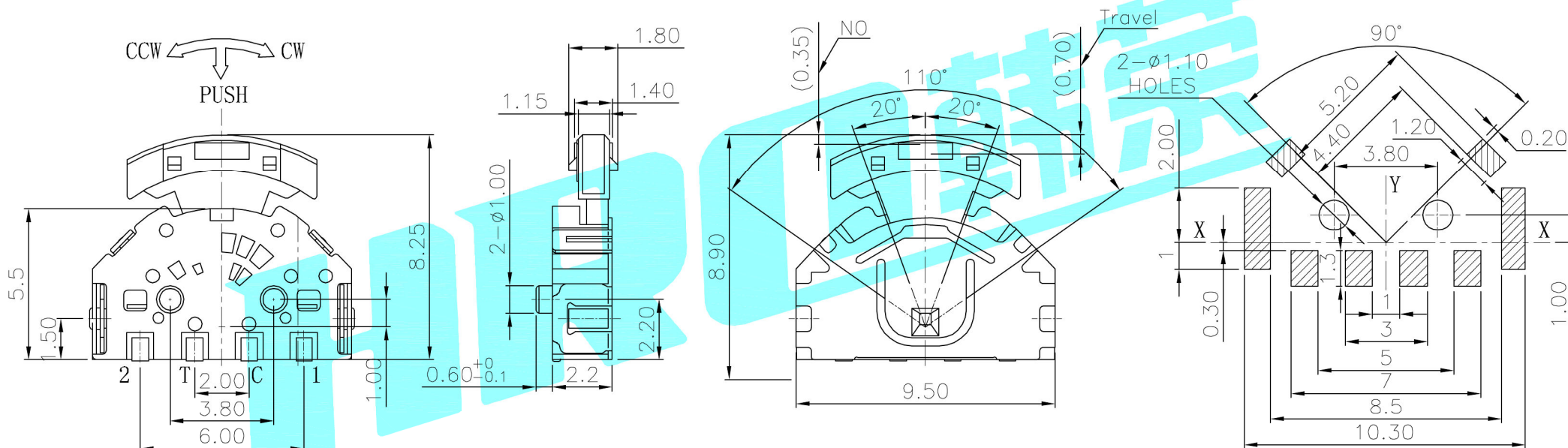
TER	ANG.	0° (▨=NO)			
		(20°)	(15°)	(15°)	(20°)
①		▨			
②					▨
③		▨	▨	▨	▨

CCW ← → CW

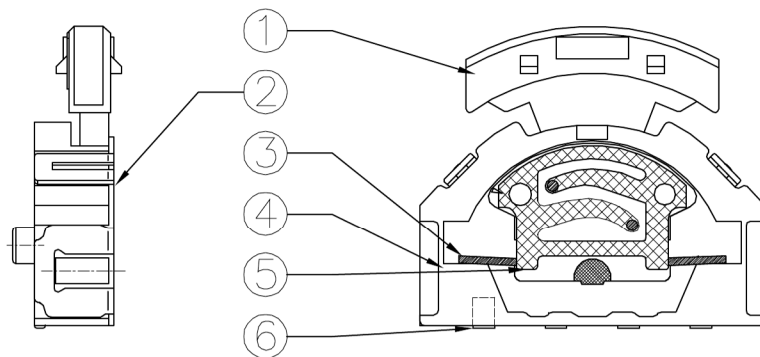
CODE TABLE



NOTE:
 Operating Force:
 lever portion 70 ± 40 gf
 Push portion 250 ± 40 gf
 Travel: -25° 0° $+25^\circ$ Pushportion 0.7 ± 0.1 mm



P.C.B Mounting Pattern Dimension



ITEM	PART NAME	TER'NO.	QTY.	MATERIAL	FINISHING	REMARK
⑥	Contact	—	1	F.Ag/Brass	Plating silver	—
⑤	Terminal	—	4	Brass(0.15t)	Plating silver	—
④	Base	—	1	Nylon	Black	—
③	Spring	—	1	SUS	Natural	—
②	Cover	—	1	SUS	Natural	—
①	Keystoke	—	1	Nylon	Black	—

APPROVALS		DATE		HRO 華榮 ELECTRONICS CO.,LTD		
DRAWN	J.X.Zhang	2013/8/12		TITLE:	MULTIFUNCTIONAL SWITCHES	
APPROVALS				PART NO.	K1-1511SA-02	
TOLERANCES ARE			30~以上: ± 0.30 10~30: ± 0.20 5~10: ± 0.15 ~ 5: ± 0.10	ANGLE	UNIT: mm	SCALE: 1:1
ECN NO.	REV.	DATE.	DESCRIPTION.	CHANGE.	CHECK.	APPRO.
	A		NEW			

ECN NO.	REV.	DATE.	DESCRIPTION.	CHANGE.	CHECK.	APPRO.
	A		NEW			