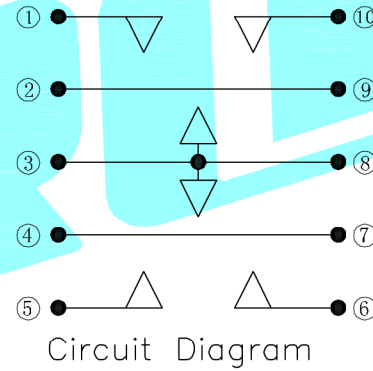
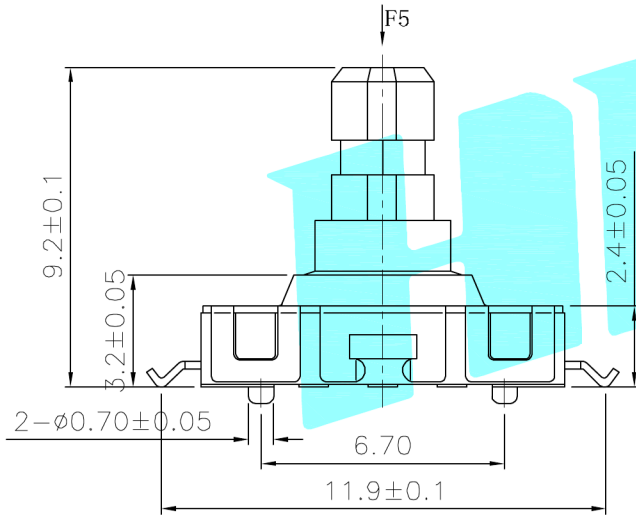
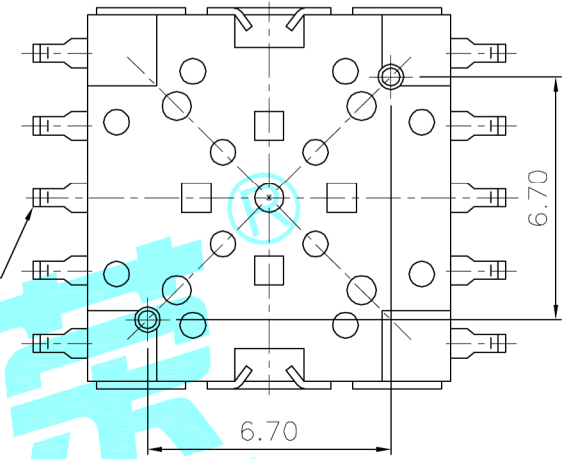
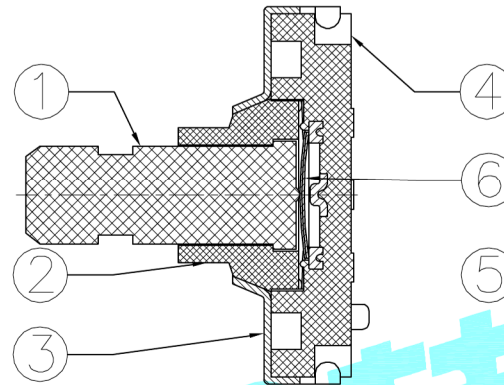
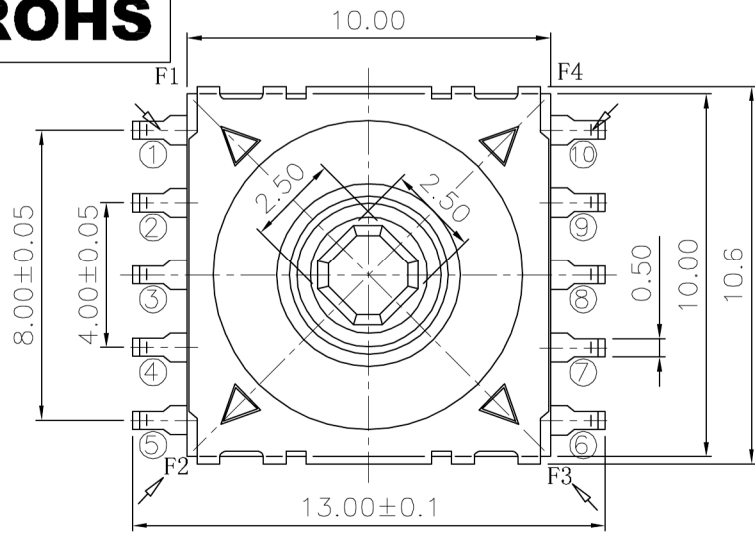


**ROHS**

<http://www.smtswitch.com>



	1	2	3	4	5	6	7	8	9	10
F1	○	○							○	
F2				○	○		○			
F3				○		○	○			
F4		○							○	○
F5		○	○	○		○	○	○		

NOTE:  
Operating Force:  
lever portion 4-180 ± 50 gf  
Push portion 250 ± 50 gf

PCB Layout(Pattern side)

⑥	Contact	—	6	F.Ag/SUS	Natural	—
⑤	Terminal	—	10	Brass(0.20t)	Plating silver	—
④	Base	—	1	LCP	Black	—
③	Cover	—	1	SUS	Natural	—
②	Axle sleeve	—	1	LCP	Black	—
①	Keystoke	—	1	LCP	Black	—
ITEM	PART NAME	TER'NO.	QTY.	MATERIAL	FINISHING	REMARK

APPROVALS		DATE		 ELECTRONICS CO.,LTD		
DRAWN	J.X.Zhang	2013/8/22				
CHECKED				TITLE: MULTIFUNCTIONAL SWITCHES		
APPROVALS				PART NO. K1-1507SA-03		
TOLERANCES ARE		30~以上	±0.30	ANGLE	UNIT: mm	SCALE: 1:1
		10~30	±0.20			
		5~10	±0.15	±2'	DRAWING NO.	PROJ:
		~ 5	±0.10			

ECN NO.	REV. A	DATE.	NEW	DESCRIPTION.	CHANGE.	CHECK.	APPRO.
---------	--------	-------	-----	--------------	---------	--------	--------