

规格书
Specification

品名
Model name

HNR-2304
C130136

PROPRIETARY
Guangxiang Electronics co.,Ltd.

CONFIDENTIAL
Guangxiang Electronics co.,Ltd.

Version #	Spec V1.0
制作日期 Date	2017/09/13
准备 Prepared	Yang shu yin Acoustic specialist,R&D Dept.
审核 Approved	Zhang chang hua Executive Manager,R&D Dept.

江苏华能电子有限公司

Components Operating Div.
Guangxiang Electronic co., Ltd.

1.适用范围：本规范适用于HNR-2304蜂鸣器。

This specifications apply the HNR-2304 buzzer.

2.基本规格/General specification

项目/Item	规格/Spec	条件/Condition
1	额定电压 Rated voltage	12VDC
2	工作电压 Operation voltage	1~30VAC
3	声压 Sound Pressure Level=SPL	Min 80dB
4	振荡频率 Oscillation frequency	4000±500Hz
5	响应时间 Response time	Max 50mS
6	工作温度范围 Range of operation temperature	-20~+60℃
7	保存温度范围 Range of preservation temperature	-30~+70℃
8	引线强度 Terminal strength	10N
9	外部尺寸 Externals size	Φ23*4.3
10	重量 Mass	2g

测试环境：标准状态，标准驱动电路，
额定电压
测试距离：0.1m
Standard State,Standard Drive Circuit.
Rated voltage,Distance at 0.1m

最低工作电压
Lowest operation voltage

声压 ≥80dB
SPL ≥80dB

拉负荷方向的终端轴
Pull load on the direction of the
terminal axis

参阅附图
Refer to the attached drawing

☆标准状态：常温（15~35℃），湿度（25~85%相对湿度），空气压力（860~1060hpa）

在假设的情况判断，测试是一基本状态下进行。

Standard State:Ordinary Temp(15~35℃),Humidity(25~85%RH),Air pressure(860~1060hPa)

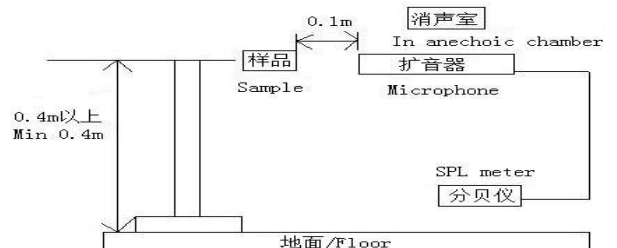
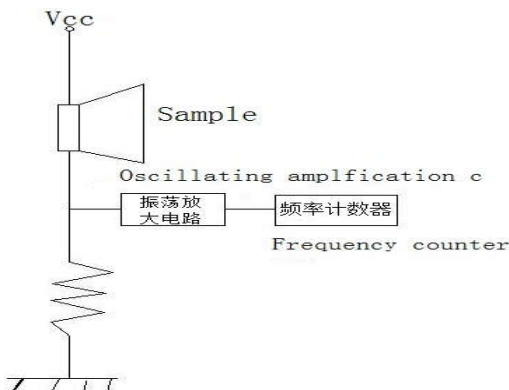
In case of doubtful judgment,the test is re-performed under Basic State.

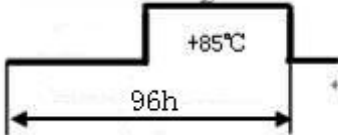
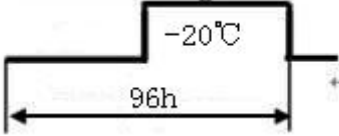
☆基本情况：温度。（20±2℃），湿度（60~70%相对湿度），空气压力（860~1060hpa）

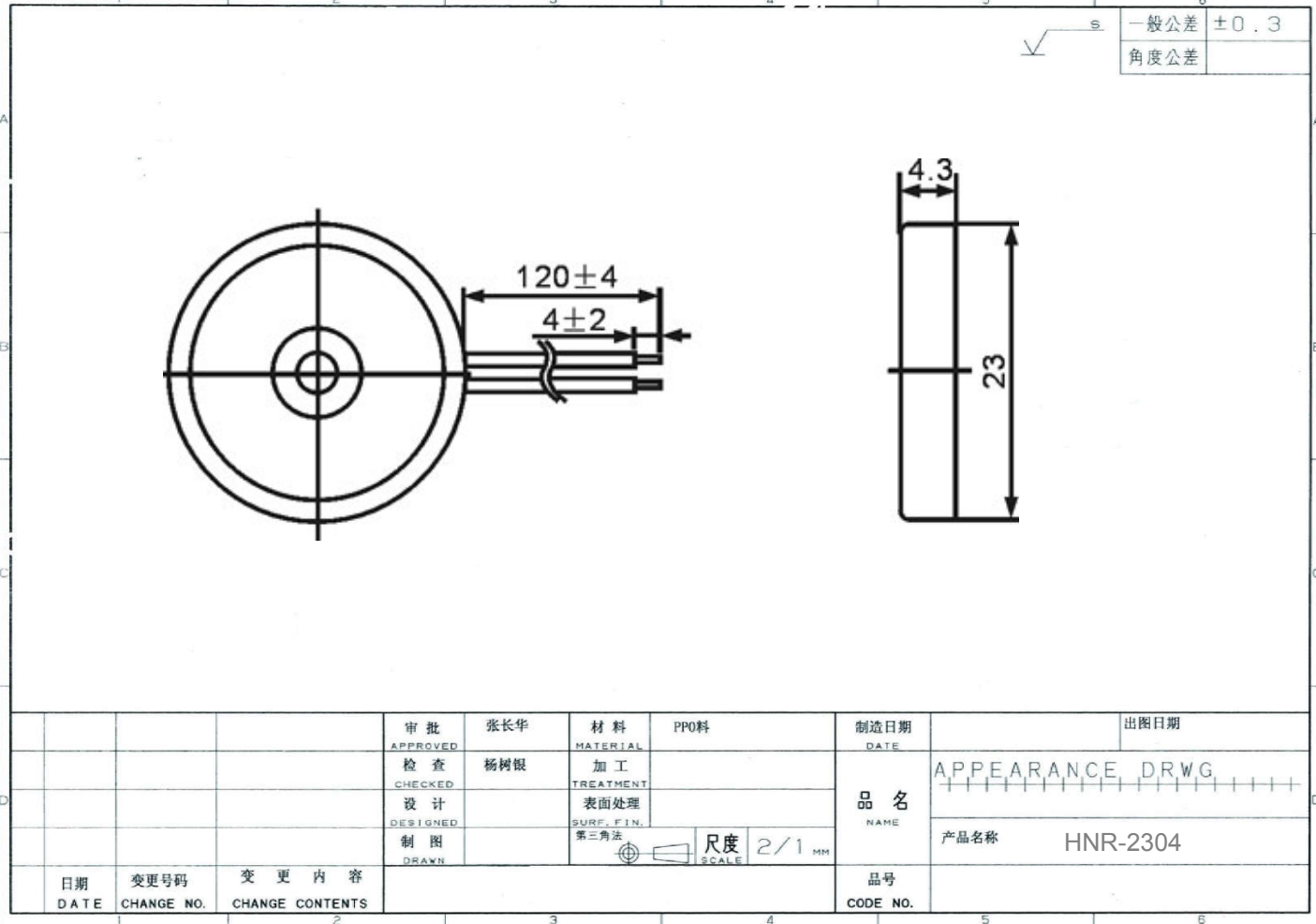
Basic State: Temp.(20±2℃),Humidity(60~70%RH),Air pressure(860~1060hPa)

<标准驱动电路>/<Standard Drive Circuit>

<标准测试治具>/<Standard Test Fixture>



项目/Item		试验条件/Test condition	判断标准/Criteria	引用规格
1	高温保存试验 High temperature Preservation	+85℃环境下放置24小时 Exposure to +85℃ for 24 hrs.	经过测试,符合规格,没有任何不合格的外观和性能 After the test the part shall meet specifications without any degradation.	
2	低温保存试验 Low temperature preservation	-20℃环境下放置24小时 Exposure to -20℃ for 24 hrs.		
3	高温试验 High temperature Shock			
4	低温试验 Low temperature Shock			
5	常温寿命试验 Ordinary Temp. Life	常温(25℃±10℃)电压12VDC连续测试48小时 Driving the sounder at 12VDC for 48hrs in the room temperature(25℃±10℃)		
6	高温寿命试验 High Temp. Life	高温(+85℃)电压12VDC连续测试2小时 Driving the sounder at 12VDC for 2hrs in the low temperature(+85℃)		
7	低温寿命试验 Low Temp. Life	低温(-20℃)电压12VDC连续测试2小时 Driving the sounder at 12VDC for 2hrs in the low temperature(-20℃)		
8	端子拉力试验 Lead strength	10N的拉力在端子上拉10±1秒 Pull load on the direction of the terminal axis for 10±1 sec.		
9	跌落试验 Free drop	70cm高自由掉落到厚40mm的木板上,每个方向一次 Free drop, 70cm height, on wood board (t40mm) X, Y, Z 3Direction 1time each, total 3times.		
10	端子可焊性试验 Solderability	260±5℃焊接温度。时间: 5±0.5sec。 Temp. 260±5℃ Soaking Time: 5±0.5sec	端子95%必须覆盖着焊料 95% surface of lead pins must be covered with fresh solder and no soldering holes should be found	



产品特征图

