

【*】[®] 慈溪市东威电子有限公司
CIXI CITY DONGWEI ELECTRONICS CO., LTD

SPECIFICATION

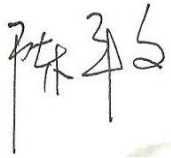


客 户
 CUSTOMER: _____

品 名
 TITLE: 拨码开关 (DIP SWITCH)

型 号
 PART ON.: HAM-03HWA-R

客 户 型 号
 CUSTOMER PART NO.: _____

日 期
 DATE: _____

制 样 DESIGNED BY	审 核 CHECKED BY	批 准 APPROVED BY	送样印 SENDING PRINT
	Alice		
客 户 确 认 CUSTOMER APPROVAL		承 认 印 APPD PRINT	

地址: 浙江省慈溪市逍林青春路245号
 Add: No#245 qingchun road, xiaolin, cixi, zhejiang
 电话(Tel): +86-574-63501386 63501528
 传真(Fax): +86-574-63500156
 邮编(P. C.): 315321
[Http://www.tonver.com](http://www.tonver.com)
 E-mail: tonver@tonver.com

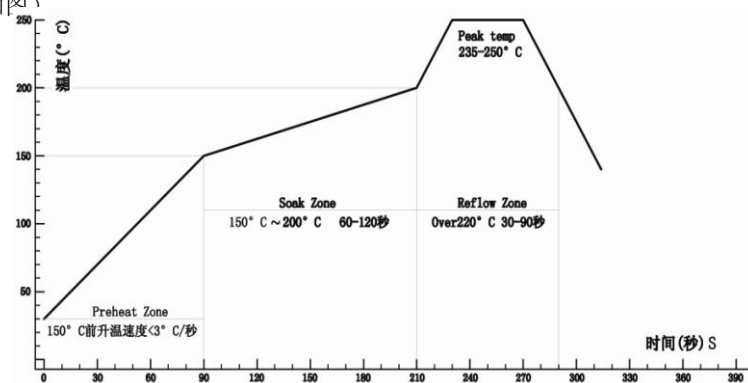


制品规格 SPECIFICATIONS OF PRODUCTS

文件编号 DOCUMENT NO.	DW-SP-011-03	发行日期 ISSUED DATE	2012-4-17	版本: 2.0 VERSION	页次: 3/4 PAGE
项目 ITME				性能 PERFORMANCE	
5.3	使用温度 OPERATING TEMPERATURE:			-20°C ~ +70°C	
5.4	储存温度 STORAGE TEMPERATURE:			-40°C ~ +85°C	
5.5	可焊性 SOLDERABILITY:			After flux 230±5°C for 5±0.5seconds, 95%coverage	
5.6	耐焊接热 RESISTANCE TO SOLDERING HEAT:			260±5°C for 5±1seconds	



6. 焊接和清洗 SOLDERING AND CLEANING PROCESSES

6.1	在所有操作过程中, 请确保开关在OFF位置	Keep all switch contacts in their "OFF" position for all operations
6.2	波焊: 推荐焊接焊锡温度为500° F(260°C), 最多5秒	WAVE SOLDERING: Recommended solder temperature at 500° F(260°C) max.5 seconds
6.3	手焊: 使用30W烙铁控制温度在350°C, 焊接时间大约5秒钟	HAND SOLDERING: Use a soldering iron of 30 Watts controlled at 350°C approximately 5 seconds. While
6.4	回流焊: (SMT型) 回流炉最高温度为250°C, 温度为250°C时, 最长不超过10秒 (如图)	Reflow Soldering Profile: (reference) 

7. 产品包装 PACKING

7.1	所有拨码产品皆以IC管形式包装 HA系列包装资料	All Code Switches are shipped in standard IC tube Packing of HA																																																		
	<table border="1"> <thead> <tr> <th>系列 SERIES</th> <th>开关位数 NO.of POS</th> <th>每管数量 PER TUBE</th> <th>每小箱数量 PER BOX</th> <th>外箱包装 PERCTN</th> </tr> </thead> <tbody> <tr><td>HA</td><td>1</td><td>130PCS</td><td>13000PCS</td><td rowspan="12">6 BOXES 55.5×30.5×40CM</td></tr> <tr><td>HA</td><td>2</td><td>77PCS</td><td>7700PCS</td></tr> <tr><td>HA</td><td>3</td><td>55PCS</td><td>5500PCS</td></tr> <tr><td>HA</td><td>4</td><td>42PCS</td><td>4200PCS</td></tr> <tr><td>HA</td><td>5</td><td>34PCS</td><td>3400PCS</td></tr> <tr><td>HA</td><td>6</td><td>29PCS</td><td>2900PCS</td></tr> <tr><td>HA</td><td>7</td><td>25PCS</td><td>2500PCS</td></tr> <tr><td>HA</td><td>8</td><td>22PCS</td><td>2200PCS</td></tr> <tr><td>HA</td><td>9</td><td>20PCS</td><td>2000PCS</td></tr> <tr><td>HA</td><td>10</td><td>18PCS</td><td>1800PCS</td></tr> <tr><td>HA</td><td>12</td><td>15PCS</td><td>1500PCS</td></tr> </tbody> </table>		系列 SERIES	开关位数 NO.of POS	每管数量 PER TUBE	每小箱数量 PER BOX	外箱包装 PERCTN	HA	1	130PCS	13000PCS	6 BOXES 55.5×30.5×40CM	HA	2	77PCS	7700PCS	HA	3	55PCS	5500PCS	HA	4	42PCS	4200PCS	HA	5	34PCS	3400PCS	HA	6	29PCS	2900PCS	HA	7	25PCS	2500PCS	HA	8	22PCS	2200PCS	HA	9	20PCS	2000PCS	HA	10	18PCS	1800PCS	HA	12	15PCS	1500PCS
	系列 SERIES	开关位数 NO.of POS	每管数量 PER TUBE	每小箱数量 PER BOX	外箱包装 PERCTN																																															
	HA	1	130PCS	13000PCS	6 BOXES 55.5×30.5×40CM																																															
	HA	2	77PCS	7700PCS																																																
	HA	3	55PCS	5500PCS																																																
	HA	4	42PCS	4200PCS																																																
	HA	5	34PCS	3400PCS																																																
	HA	6	29PCS	2900PCS																																																
	HA	7	25PCS	2500PCS																																																
	HA	8	22PCS	2200PCS																																																
	HA	9	20PCS	2000PCS																																																
HA	10	18PCS	1800PCS																																																	
HA	12	15PCS	1500PCS																																																	



制品规格 SPECIFICATIONS OF PRODUCTS

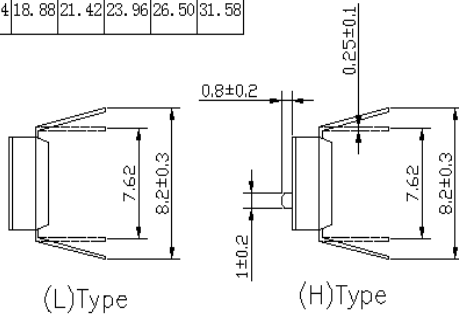
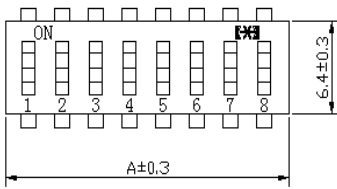
文件编号 DOCUMENT NO.	DW-SP-011-03	发行日期 ISSUED DATE	2012-4-17	版本: 2.0 VERSION	页次: 4/4 PAGE
----------------------	--------------	---------------------	-----------	--------------------	-----------------

8. 产品外形及装配图纸 SHAPE AND ASSEMBLY SIZE

DIMENSION A (General tolerance: ± 0.3)

POSITIONS	1	2	3	4	5	6	7	8	9	10	12
A	3.64	6.18	8.72	11.26	13.80	16.34	18.88	21.42	23.96	26.50	31.58

HAM DIMENSIONS Unit:mm



ITEM	DES	MATERIALS	TREATMENT
1	COVER	ENGINEERING PLASTICS	BLACK
2	BASE	ENGINEERING PLASTICS	BLACK
3	KEY	ENGINEERING PLASTICS	WHITE
4	TERMINAL	ALLOY COPPER	PLATING GOLD

