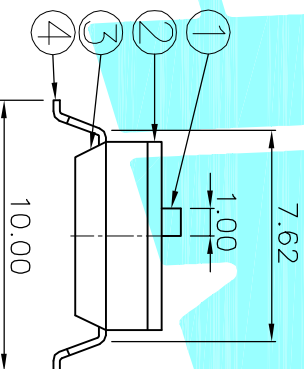
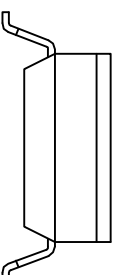


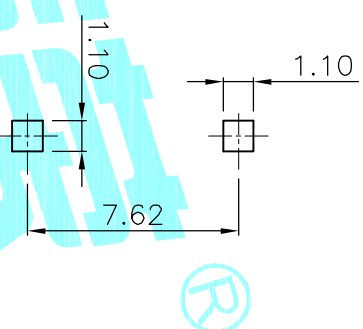
Circuit Diagram



凸柄 (P)



短柄 (S)



PCB Layout (Pattern Side)

- NOTE:
- 1.Rating: 24V 25mA DC
 - 2.Insulation Resistance:≥100 MΩ
 - 3.Withstand voltage:AC 500V 1Minute
 - 4.Operating Force Range: 800gf Max
 - 5.Mechanical Life:3,000 Cycles
 - 6.Operating Temperature range -20~+70°C
 - 7.Ambient Humidity used: ≤85%RH

Position(位数)	1P
PART NO. 凸柄(P)	EM-01KP
短柄(S)	EM-01KS

ITEM	PART NAME	TER'NO.	QTY.	MATERIAL	FINISHING	REMARK
④	Terminal	—	2	Phosphor bronze	Au Plating	—
③	Base	—	1	PBT	Black	—
②	Cover	—	1	PBT	Black	—
①	Keystoke	—	1	PBT	White	—

DRAWN	J.X.Zhang	DATE	2014/02/13
CHECKED		TITLE	MULTIFUNCTIONAL SWITCHES
APPROVALS		PART NO.	EM-01□□

ECN NO.	REV.	DATE.	DESCRIPTION.	CHANGE.	CHECK.	APPRO.
	A		NEW			
<p>APPROVALS</p> <p>TOLERANCES ARE 30~φ以上 ±0.30 ANGLE PART NO. EM-01□□</p> <p>10~φ30 ±0.20 UNIT: mm SCALE: 1:1 PROJ: ①</p> <p>5~10 ±0.15 ±2° DRAWING NO. SHEET 1 OF 1</p>						



ELECTRONICS CO.,LTD