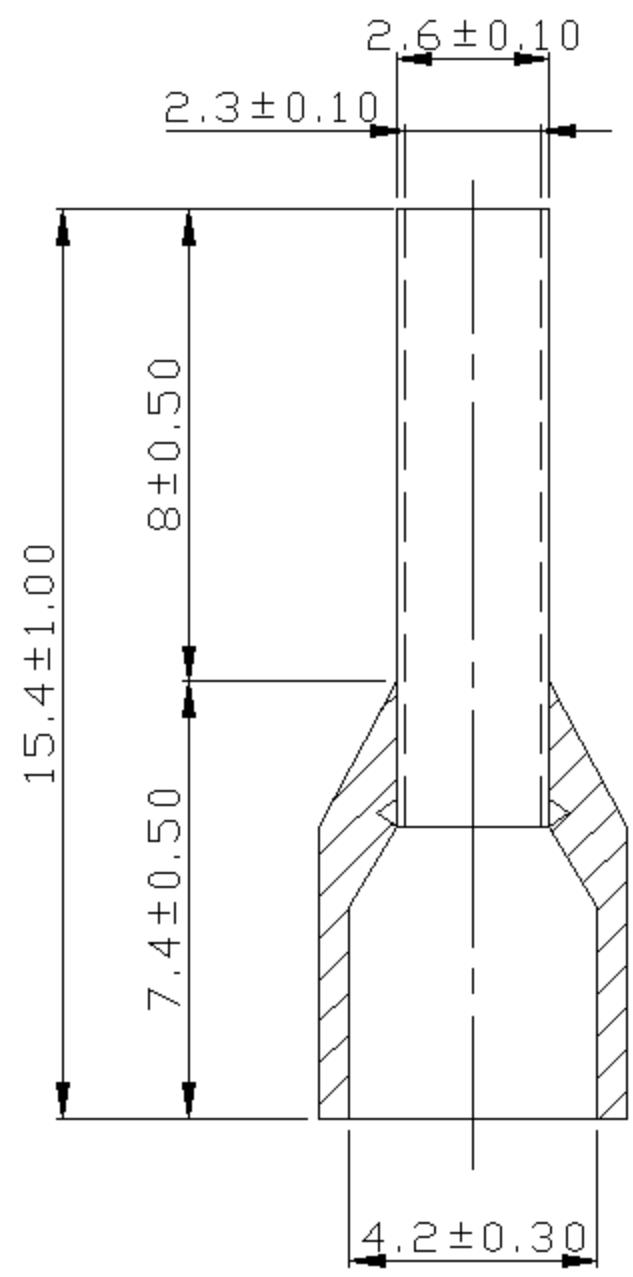
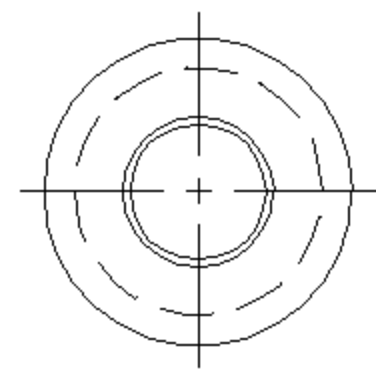


REV	DESCRIPTION	DATE
-----	-------------	------



NOTE:

- MAXIMUM ELECTRIC CURRENT :

A.W.G.	14
AMP.	30
- MAXIMUM ELECTRICAL RATING : 105°C 600 VOLTS MAX.
- INSULATION MATERIAL : NYLON
- INSULATION COLOR :
 FRENCH COLOR : GREY
 GERMAN COLOR : BLUE
 DIN COLOR : BLUE
- CONNECTOR MATERIAL : COPPER TUBE.
- WIRE RANGE : 14 A.W.G.(2.5 mm²)

Tolerance Unless Otherwise Specified	
0 > 6 mm ± 0.20	ANGLE
6 > 18 mm ± 0.30	0° REF ±
18 > 30 mm ± 0.40	±
30 > 75 mm ± 0.50	±

NAME	NYLON-INSULATED CORD END TERMINALS (E SERIES)			UNIT	mm	
PART NO.	E2508	MATERIAL	-----	APPROVE	張馨尹	
NUMBER	KA-95430-C	SCALE	SHEET	PAGE	CHECKED	
DATE	2006/05/10	5/1	1-0	10F1	DRAWN	張馨尹

KST® K.S. TERMINALS INC.