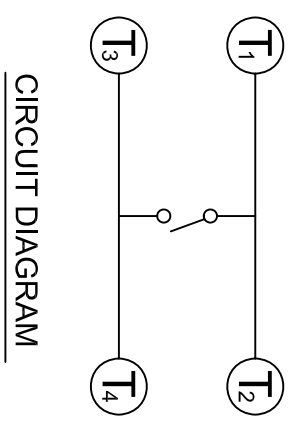
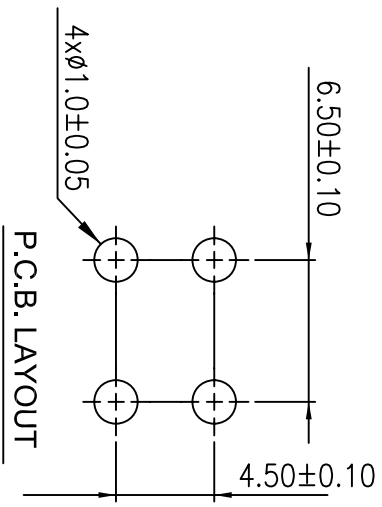
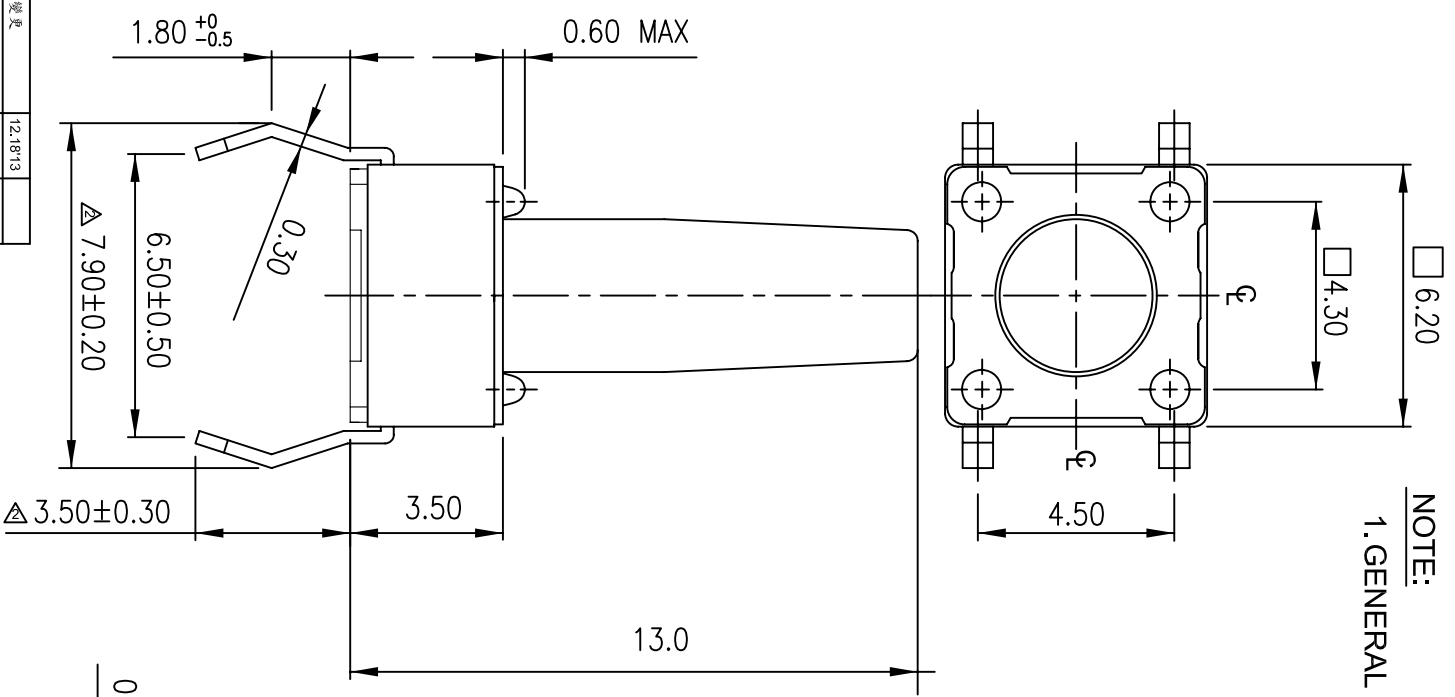



NOTE:
1. GENERAL TOLERANCES MAX. ±0.20mm.



△	B	依工規12016變更	12.18.13	
△	A	DWG.REL.	05.03.06	
ZONE	REV.	DESCRIPTION	DATE	APPD.

APPD:	QTY:
CHKD:	SCALE: 8:1
DR: 12.18.13 楊煥燾	REV: B
DESIGN:	UNITS: mm


圓達實業股份有限公司
 DIPTRONICS MANUFACTURING INC.
 PART NO: DTS-66□-V
 MATEL: FINISH:

PART NAME:	TACTILE SWITCH 6X6 (MECHANICAL CONTACT TYPE)
DWG NO:	R D 5 P 6 -66 V