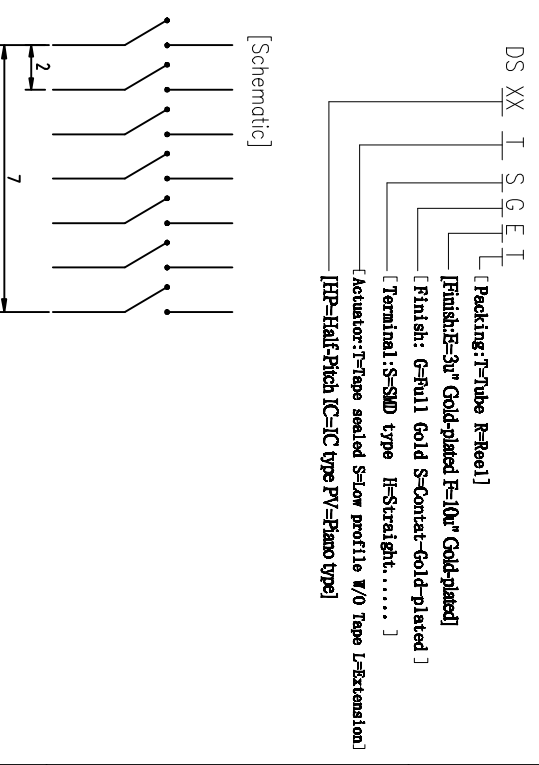
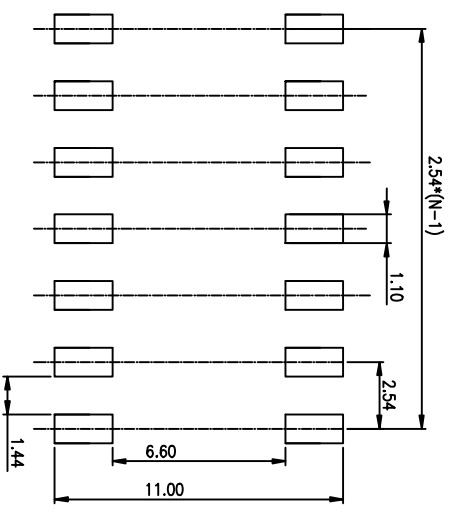
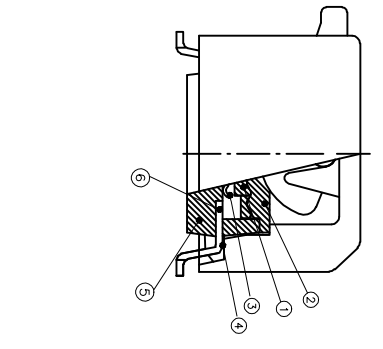
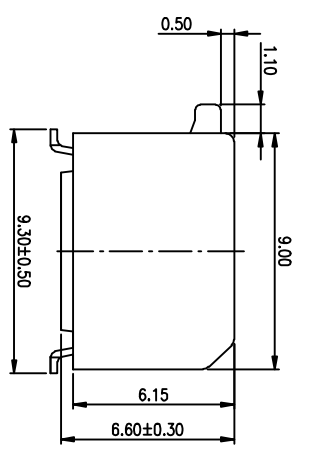
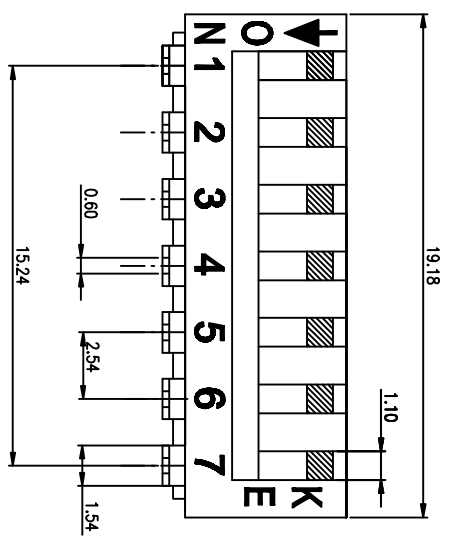


PRODUCT NO.	DSPV07LSGET
RoHS compliant	



NOTES :

- 1>.Specification:
- 2>.Operating force:1000gf Max
- 3>.Operating Temperature: -40° to+85°
- 4>.Storage Temperature: -40° to+85°
- 5>.Mechanical Life: 3000cycles minimum
- 6>.PLATING:
  - GOLD FLASH 1u"(min.) SOLDER TAIL,
  - 3u" GOLD PLATING ON THE CONTACT AREA,
  - WITH 50u" NICKEL UNDERPLATING OVERALL.
- 7>.CONTACT RATING:
  - 1.SWITCHING: 25mA at 24ADC
  - 2.NON-SWITCHING: 100mA at 50VDC
  - WITH 50u" NICKEL UNDERPLATING OVERALL.
- 8>.PART NUMBER DESCRIPTION :

Number	Part Name	Material	Finished
①	Actuator	UL94 V0	White
②	Cover	UL94 V0	Black
③	Movable	Copper Alloy	3u" Gold
④	Terminal	Brass	1u" Gold
⑤	Base	UL94 V0	Black
⑥	Terminal Contact	Brass	3u" Gold

TOLERANCE UNLESS OTHERWISE SPECIFIED		INSPECTION	
LINER	ANGLES	COPY	PROJECTION
0 ± 0.25	0 ± 2'		
.00 ± 0.15	.0 ± 1'		
.000± 0.10	.00± 0.5'		
DESIGN	kathy	2013/01/12	
DRAWING			
CHECK			
APPRO.			

<b>东莞市睿实业有限公司</b> Dongguan Kingtek Industrial Co., Ltd.			
TITLE			
BY DSPV SERIES PITCH 2.54mm			
PRODUCT FAMILY DSPV SERIES			
PRAT NO. DSPV07LSGET			
FILE NO.	DSPV07LSGET-A	SIZE	UNIT
SCALE	SHEET	REV.	REV.
A4	mm	Z : 1	TOP: 1 A

1 2 3 4 5 6