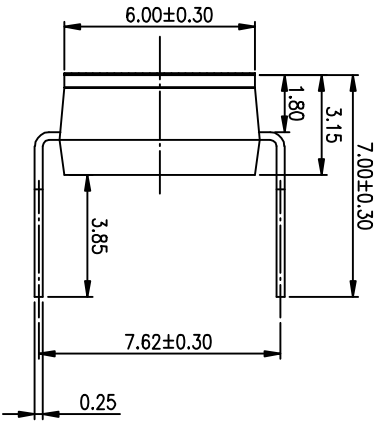
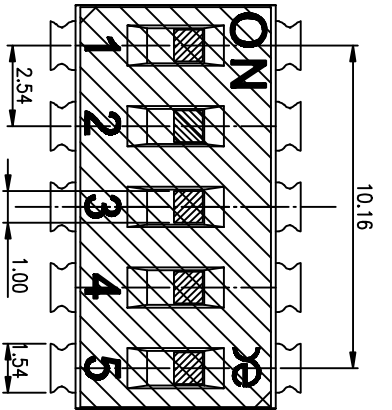
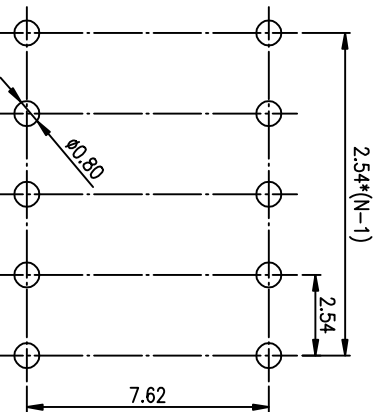
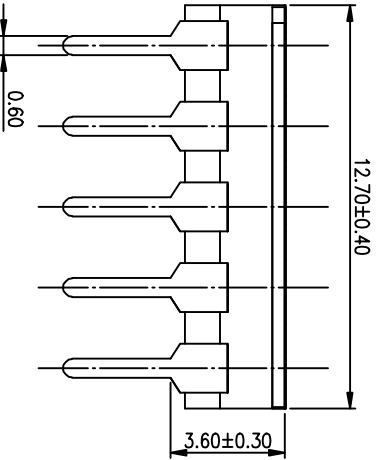
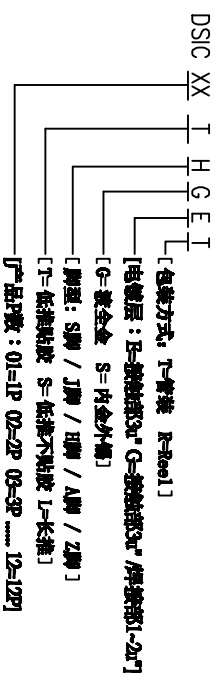


PRODUCT NO. DISC05THGET  
RoHS compliant

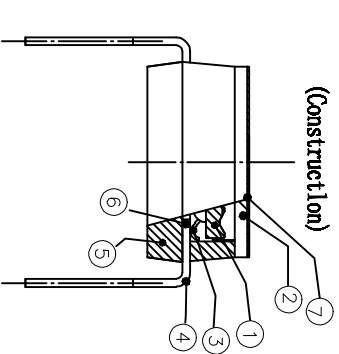
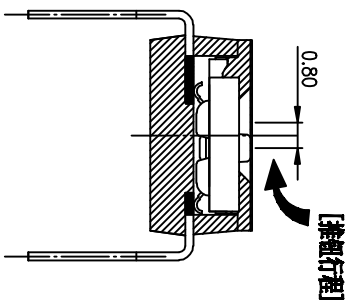
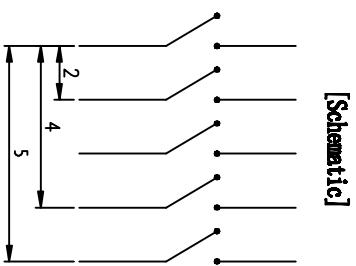


- NOTES :
- Specification:
    - Operating force: 1000gf Max
    - Operating Temperature: -40° to+85°
    - Storage Temperature: -40° to+85°
    - Mechanical Life: 3000cycles minimum
    - Electrical Life: 2000cycles 25mA 24VDC
  - PLATING:
    - GOLD FLASH 1u"(min.) SOLDER TAIL,
    - 3u" GOLD PLATING ON THE CONTACT AREA,
    - WITH 50u" NICKEL UNDERPLATING OVERALL.

3. PART NUMBER DESCRIPTION



RECOMMENDED P.C.B. LAYOUT (TOP VIEW)



Number	Part Name	Material	Finished
①	Actuator	UL94 V0	White
②	Cover	UL94 V0	Black
③	Movable	Copper Alloy	3u"Gold
④	Terminal	Brass	1u"Gold
⑤	Base	UL94 V0	Black
⑥	Terminal Contact	Brass	3u"Gold
⑦	Mylar	UL94 V0	0.05mm

TOLERANCE UNLESS OTHERWISE SPECIFIED		FINISH	
LINER	ANGLES	PROJECTION	COPY
0 ± 0.25	0. ± 2°	0.00± 0.10	2012/04/12
.00 ± 0.15	.0 ± 1°	.00± 0.05	DESIGN
			DRAWING
			CHECK
			APPRO.

FILE NO.	UNIT SCALE	SHEET	REV.
A4	mm	2	A

东莞市雷光电子有限公司  
Dongguan Kingtek Industrial Co., Ltd.

BY DISC SERIES PITCH 2.54mm

PRODUCT FAMILY DISC SERIES

PRAT NO. DISC05THGET