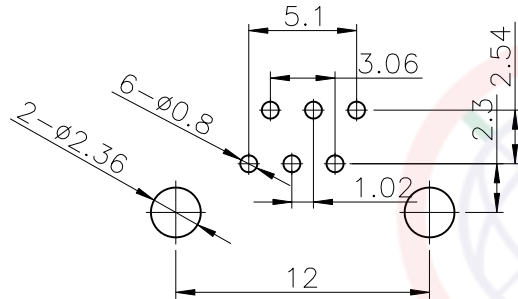
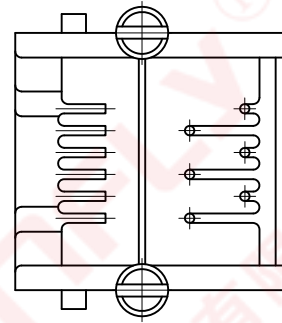


REV.	DESCRIPTION	DRAWN	CHECKED	APPROVED
A	NEW RELEASE	LL 06/26/06'		LJC 06/26/06'
B	DRAWING UPDATE	JLZ 08/17/16'		



RECOMMEND PCB LAYOUT(TOLERANCE=±0.05)



SPECIFICATION

1. Insulation Resistance:1000MΩ Min.
2. Withstand Voltage:500V AC/Minute.
3. Durability:600 Mating Cycles Min.
4. Product Number Code:

DS1133-X X X X X X

Ear Support  
S:W/ Ear  
X:W/O Ear

Housing Materials  
P:PBT  
N:NYLON

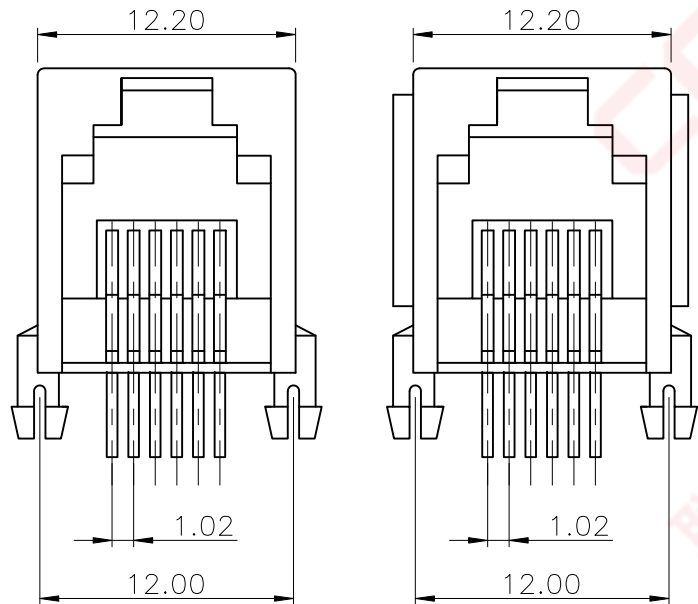
Housing Color  
A:Gray  
B:Black

Contact Plating  
0:Gold Flash  
3:3u" Gold  
6:6u" Gold  
15:15u" Gold  
30:30u" Gold

No.Of Contacts  
6:6P6C 4:6P4C 2:6P2C

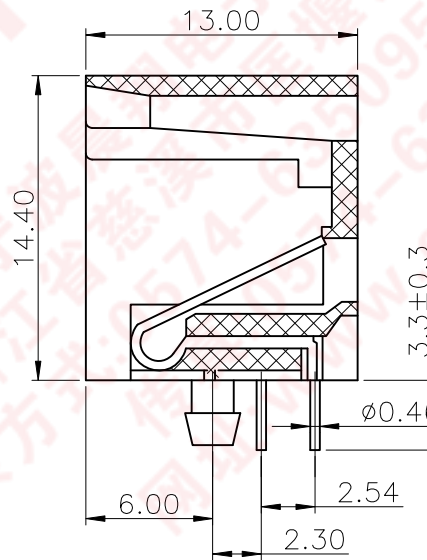
Connector Type  
S:Socket

Series No.  
DS1133



W/O EAR

W/ EAR



GENERAL TOLERANCE		ANGLE TOLERANCE	
X.	±0.60	X.	±5°
.X	±0.38	.X	±3°
.XX	±0.25	.XX	±2°

DRAWING TYPE	CUSTOMER		
SCALE	1:1	SHEET	1 OF 1
DRAWING NO.	C-DS1133-XXXXXX-B		

PROJECTION		TITLE	PCB JACK 6P	
UNITS	mm	SERIES	DS1133 SERIES	
SHEET SIZE	A4			

晨翔电子有限公司  
CONNFLY CONNFLY ELECTRONIC CO. LTD