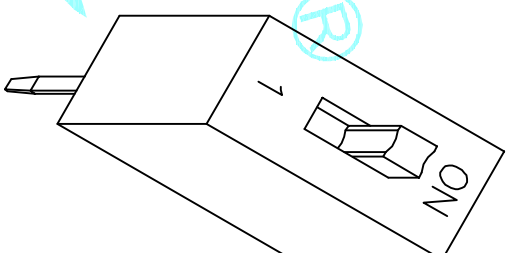


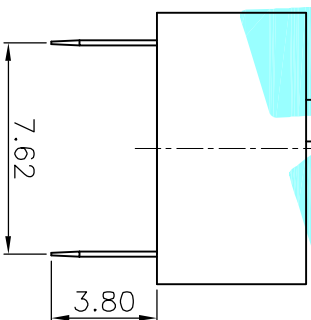
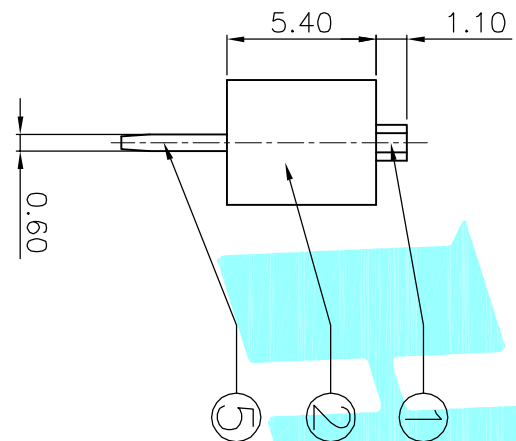
PCB Layout(Pattern Side)

Circuit Diagram



- NOTE:
- 1.Rating: 24V 25mA DC
 - 2.Insulation Resistance: ≥100 MΩ
 - 3.Withstand voltage:AC 500V 1Minute
 - 4.Operating Force Range: 400gf Max
 - 5.Mechanical Life:3,000 Cycles
 - 6.Operating Temperature range -20°~+70°C
 - 7.Ambient Humidity used: ≤85%RH

PART NO.	凸柄(P)	DP-01RP
盖丁/红色(R)	短柄(S)	DP-01RS
PART NO.	凸柄(P)	DP-01BP
盖丁/蓝色(B)	短柄(S)	DP-01BS



短柄(S)

ITEM	PART NAME	TER'NO.	QTY.	MATERIAL	FINISHING	REMARK
⑤	Terminal	—	2	Brass(0.30t)	—	—
④	Contact	—	1	F.Ag/SUS	—	—
③	Base	—	1	PBT	BLACK	—
②	Cover	—	1	PBT	RED/BLUE	—
①	Keystroke	—	1	PBT	WHITE	—

APPROVALS		DATE	TITLE: ELECTRONICS CO.,LTD	
DRAWN	J.X.Zhang	2013/5/30	MULTIFUNCTIONAL SWITCHES	

ECN NO.	REV.	DATE.	DESCRIPTION.	CHANGE.	CHECK.	APPRO.
	A		NEW			
TOLERANCES ARE: 30~以上 ±0.30 ANGLE PART NO. DS-01□□ 10~30 ±0.20 UNIT: mm SCALE: 1:1 PROJ:						
APPROVALS: 30~以上 ±0.30 ANGLE PART NO. DS-01□□ 10~30 ±0.20 UNIT: mm SCALE: 1:1 PROJ:						
TOLERANCES ARE: 5~10 ±0.15 ANGLE PART NO. DS-01□□ ~5 ±0.10 ±2° DRAWING NO. SHEET 1 OF 1						