



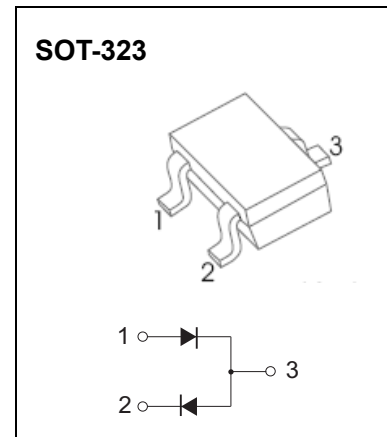
SOT-323 Plastic-Encapsulate Diodes

DAN217U SWITCHING DIODE

FEATURES

- Small surface mounting type
- Two diode elements are connected in series

MARKING:A7



Maximum Ratings and Electrical Characteristics, Single Diode @Ta=25 °C

Parameter	Symbol	Limit	Unit
Peak reverse voltage	V_{RM}	80	V
DC reverse voltage	V_R	80	V
Maximum (peak) forward current	I_{FM}	300	mA
Average forward current	I_o	100	mA
Surge current (1 μ s) (10ms)	I_{FSM}	400 1000	mA
Power dissipation	P_D	200	mW
Junction temperature	T_j	150	°C
Storage temperature	T_{stg}	-55~+150	°C
Operating temperature range	T_{opr}	-40~+100	°C

ELECTRICAL CHARACTERISTICS (Ta=25°C unless otherwise specified)

Parameter	Symbol	Test conditions	Min	Max	Unit
Reverse breakdown voltage	$V_{(BR)}$	$I_R=100\mu A$	80		V
Reverse voltage leakage current	I_R	$V_R=70V$		0.2	μA
Forward voltage	V_F	$I_F=100mA$		1200	mV

Typical Characteristics

DAN217U

