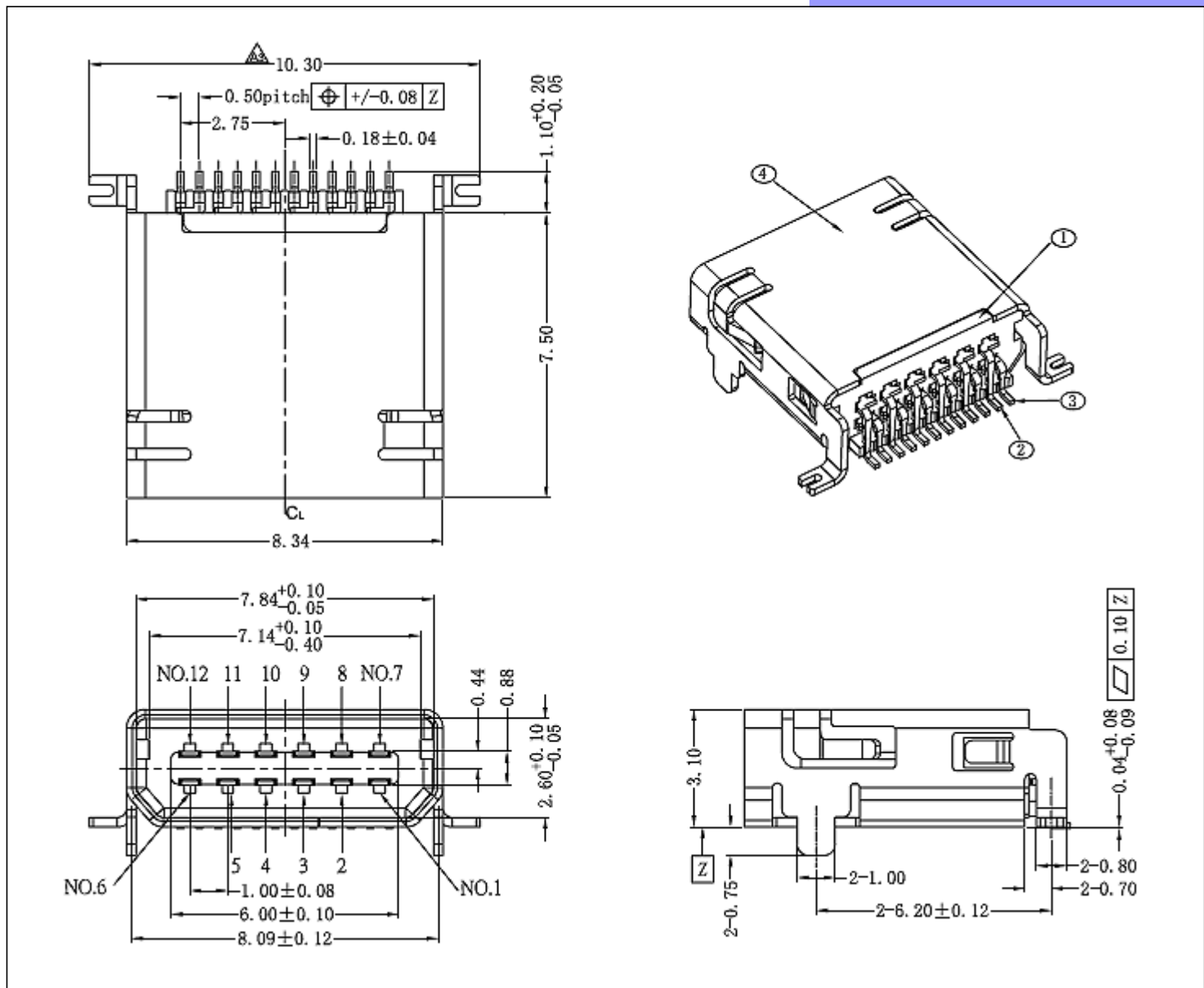


Operation: Push-Pull



LTEM NO.:CZ-012
(MINI-USB-SOCKETS)

Unit:mm



Technical parameter

PROJECT		LEVEL	A[better product]	B[average product]	C[low product]
Electrical Properties	Initial Contact Resistance		30mΩ max.	30mΩ max.	no data!
	Contact Resistance		100mΩ min.100V DC Skey/PD: 50mΩ min.100V DC		
	Withstand Voltage		300V AC for 1min	250 V AC for 1min	
Durable Performance	There No Load		6,000 Cycles	5,000 Cycles	no data!
	Rated Load		5,000 Cycles 50mΩ max.	4,000 Cycles 30mΩ max.	no data!
Insertion Force			4.0Kgf MAX (Springback:)		

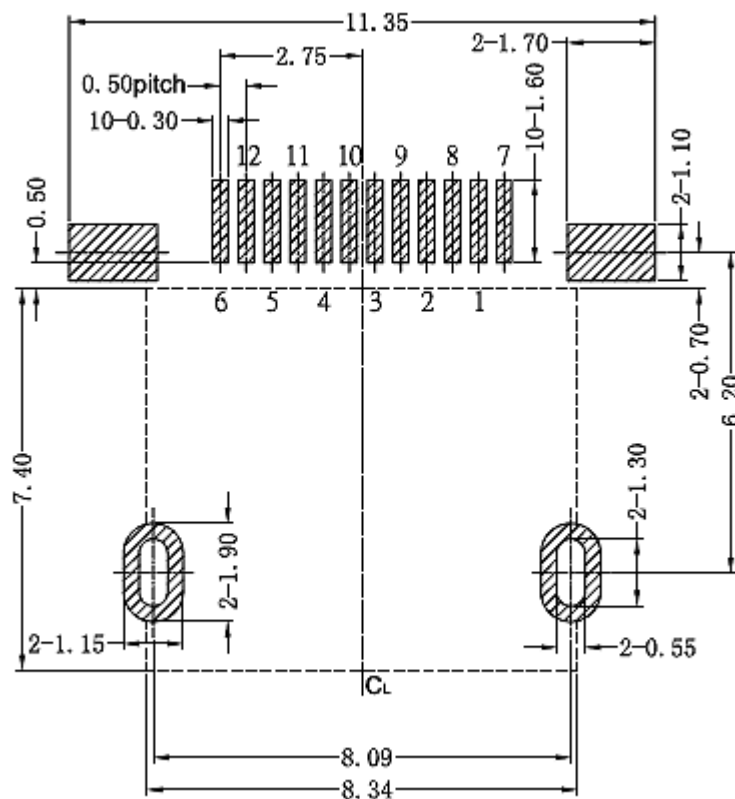
表面貼裝 SMT

側向導入 LATERAL

精密部品 NICETY

可靠 STABILIZE

適合環保 RoHS

CIRCUIT BOARD SIZE
(Vertical view)

PIN Assignment

Material declaration

No.	NAME	Type	Description
①	HOUSING	1	HIGH TEMPERATURE THERMOPLASTIC.(UL94-V0). Black
②	CONTACT 3	6	COPPER ALLOY T=0.15mm UNDER PLATED 50u"MIN. NICKEL OVER ALL,1.5u" or 3u" GOLD OVER ALL
③	CONTACT 4	6	COPPER ALLOY T=0.15mm UNDER PLATED 50u"MIN. NICKEL OVER ALL,1.5u" or 3u" GOLD OVER ALL
④	SHELL	1	COPPER ALLOY T=0.25mm UNDER PLATED 50u"MIN. NICKEL OVER ALL,80~120U" Tin or Ag,OVER ALL

本品不屬於危害性廢棄物,須丟棄時可以委託回收商予以回收再生處理。Products do not belong to hazardous waste,When waste can recycling processing

運送時本產品不要直接與水、酸性化學物質接觸,或放置於含有以上氣體環境中,並且需要注意會有滑落、側翻的危險發生;運輸過程中不能有碰撞或者擠壓,須保證溫度與濕度適中[常溫 25°C,濕度在 50°C 以內],不可導致材料變形或氧化。

注記 NOTICE

1. 碩方電子公司擁有最終解釋權; The company reserves the right of final interpretation;
2. 文件禁止外洩、轉載; Leaked and reproduced prohibited;
3. 未經授權修改無效。Modify is invalid.