

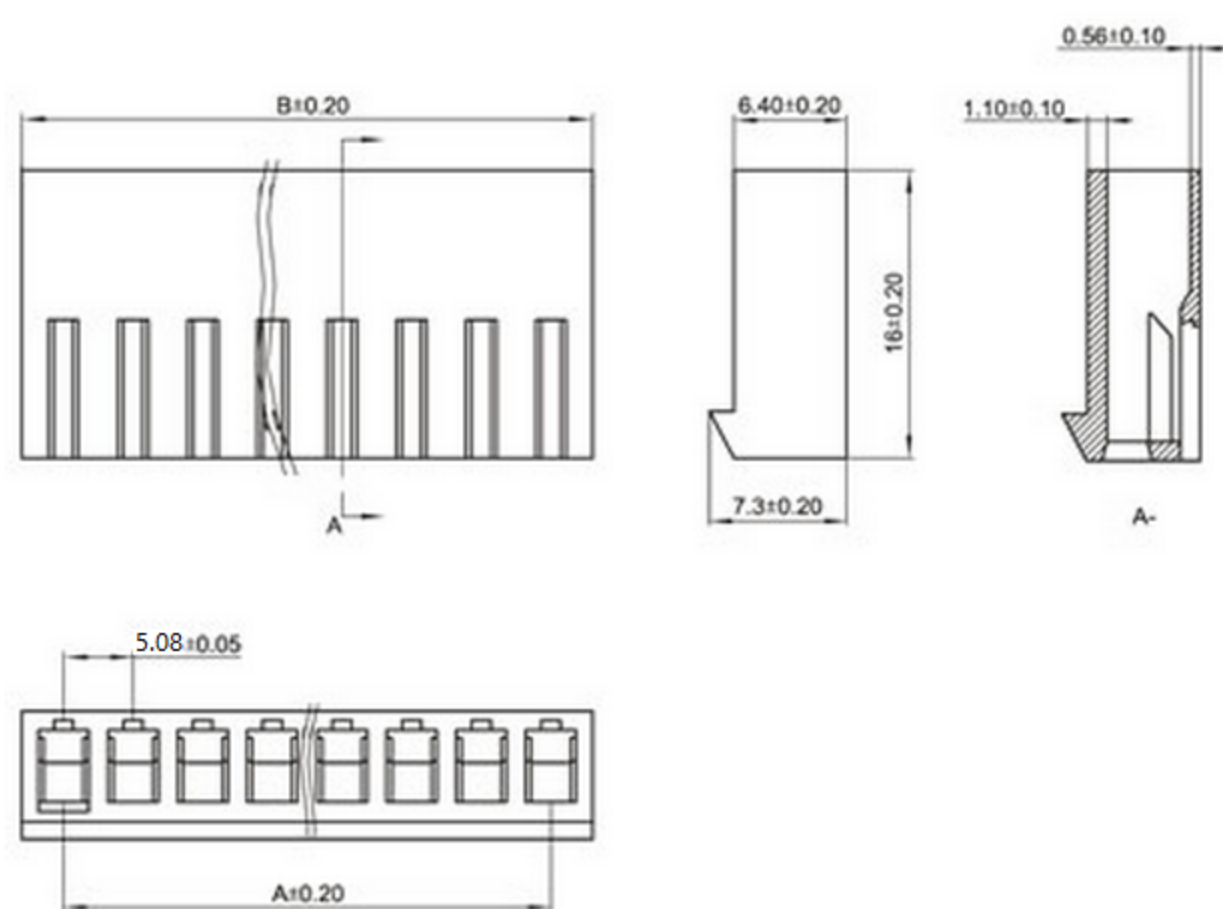
◆ SPECIFICATIONS

Unit:mm

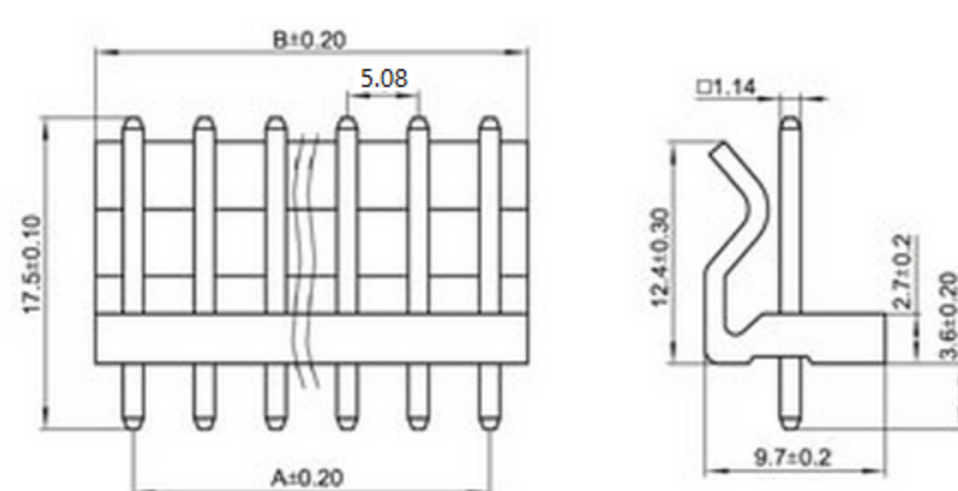
- ◇ Poles: 2~12
- ◇ Applicable wire: AWG#22-#30
- ◇ Voltage rating: 250V DC/AC
- ◇ Current rating: 6A
- ◇ Withstand voltage: 1500V AC
- ◇ Working Temperature: -25°C~+85°C
- ◇ Insulation resistance:  $\geq 1000M\Omega$
- ◇ Contact resistance:  $\leq 0.01\Omega$
- ◇ Applicable PC board thickness: 1.6mm

UL:Recognized No.E309635  
RoHS-specification and Halogen-free products

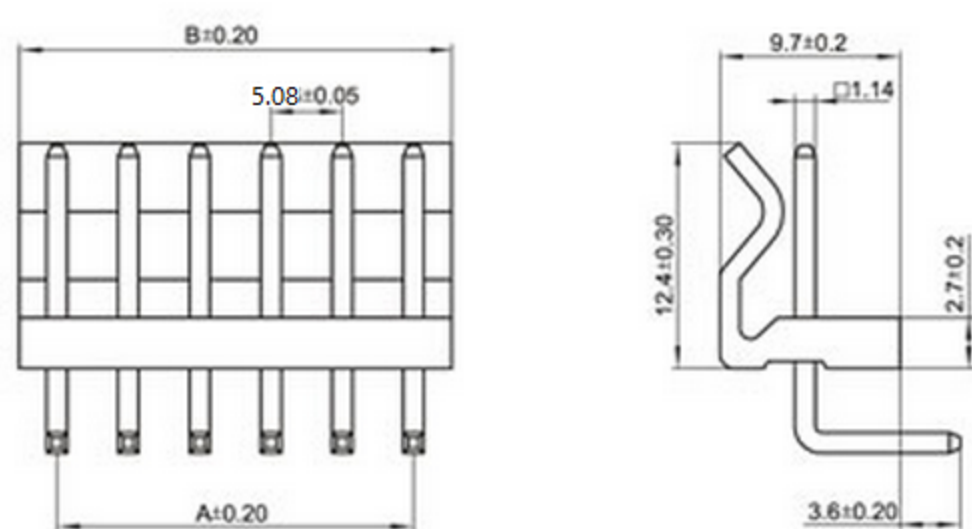
CH5.08-nY



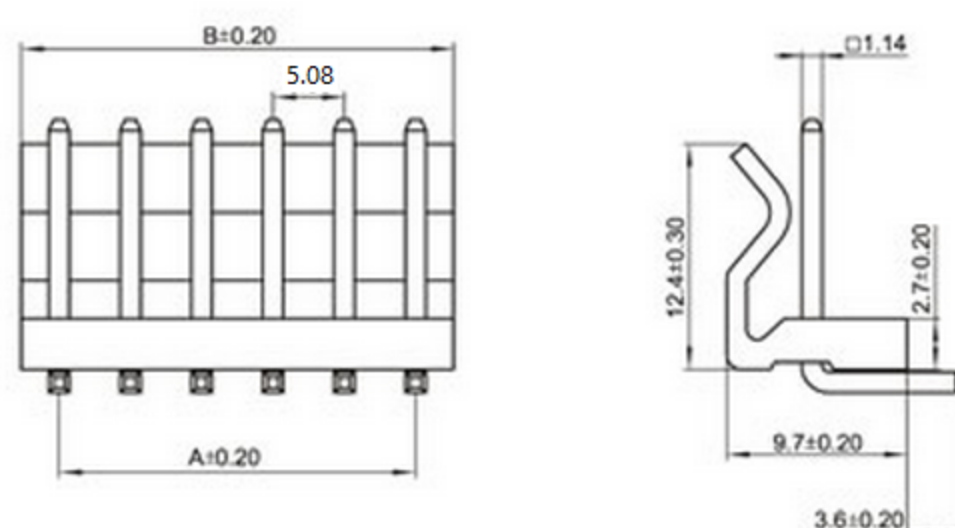
CH5.08-nA



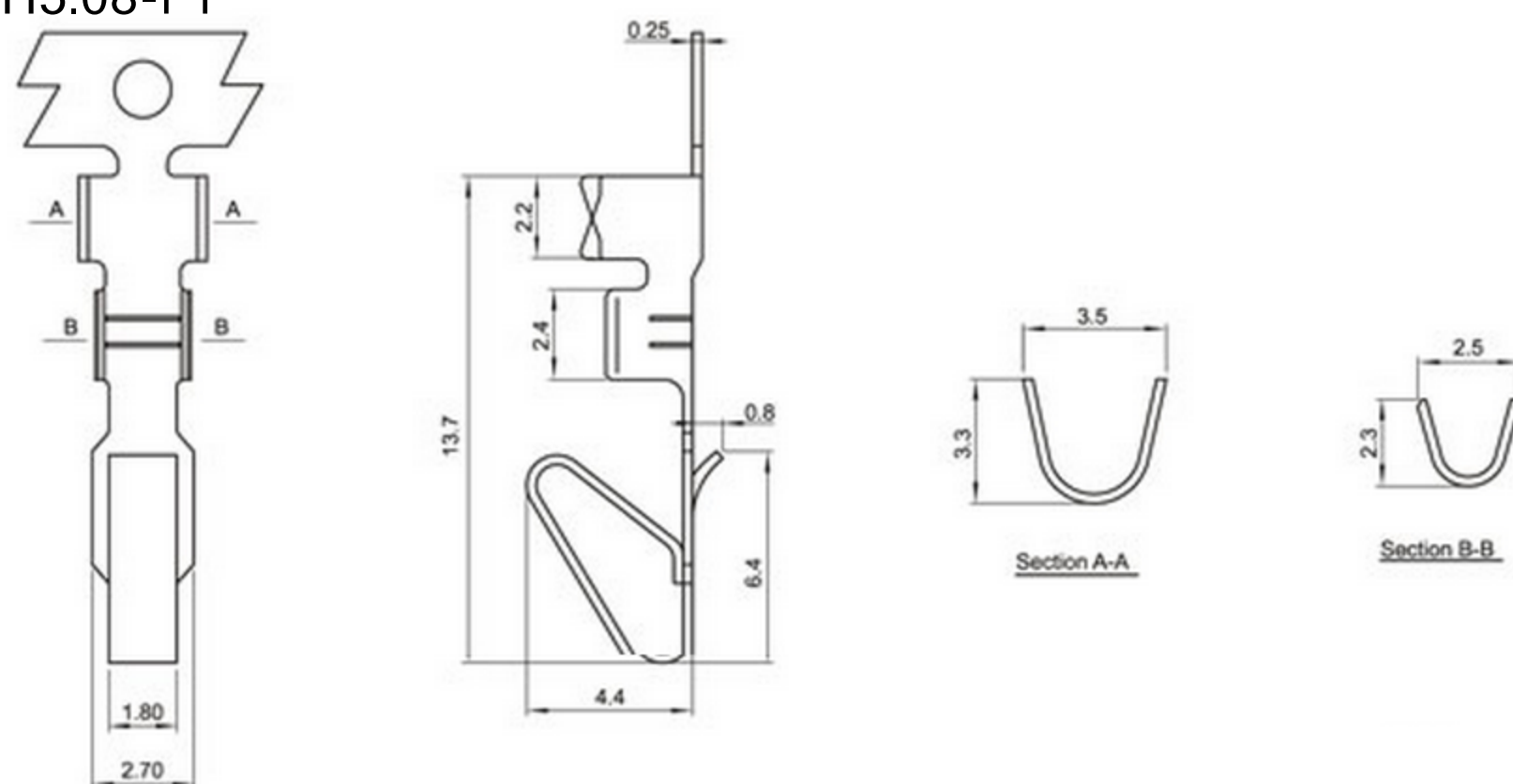
CH5.08-nAGW



CH5.08-nAW



CH5.08-PT



Mounting Measurement

