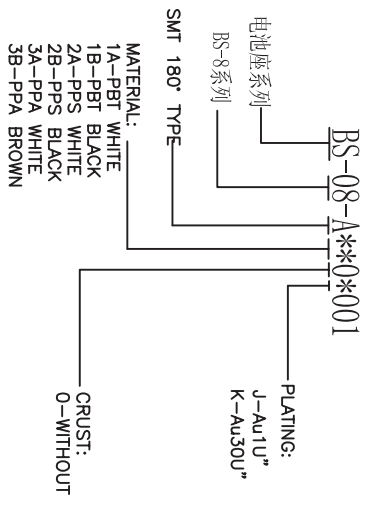


PCB Layout Diagram
Top View

ORDERING INFORMATION

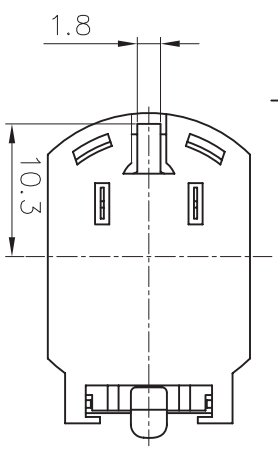


- NOTE:
- MATERIAL:
 - a. HOUSING: THERMOPLASTIC GLASS FIBRE UL94V-0
 - b. CONTACT: PHOSPHOR BRONZE (SURFACE PLATING: Au*U")
 - ELECTRIC:
 - a. CONTACT RESISTANCE: 30 MILLIOHMS MAX
 - b. INSULATION RESISTANCE: 1000 MEGA OHMS MIN
 - c. DIELECTRIC VOLTAGE: 750V AC ONE SEC LEVEL
 - d. OPERATING TEMPERATURE: -55 °C ~ +85 °C
- SEE ORDERING INFORMATION

REV.	MATTER	APP.	DATE
A			

TOLERANCE		Tolerance: Unless otherwise specified	
LINEAR	ANGLE	3	TERMINAL-2
2	TERMINAL-1	PHOSPHOR BRONZE	Au-Plated
1	HOUSING	PHOSPHOR BRONZE	Au-Plated
NO.	PART NAME	HOUSING	BROWN
	MATERIAL	PPA	BROWN
	COLOR/FINISHED		

TOLERANCE	LINEAR	ANGLE
x	±1	±5°
.x	±0.38	.x' ±2°
.xx	±0.25	.xx' ±1°
.xxx	±0.10	



SHENZHE QIJIE ELECTRNICS CO.,LTD

深圳市琦捷电子有限公司

日期 DATE	单位 UNITS	审核 CHECK	日期 DATE	单位 UNITS	审核 CHECK
2008.07.20	mm	QJ.LIUQI			
比例 SCALE	制图 DRAW	设计 DESIGN	TITLE: 电池座 SMT (BS-8)		
1/1	QJ.WU	QJ.LIU	PART NO. BS-08-A3B0J001		