

DATA SHEET

WIRELESS COMPONENTS

FR4 Chip Antenna
ANT1204F002R0433A

433MHZ
1204 Series



FEATURES

- Compact size
- Omni-directional Radiation
- Tape & reel automatic mounting
- Reflow process compatible
- RoHS compliant

APPLICATIONS

- Smart meter
- Industrial remote control
- ISM band equipment

ORDERING INFORMATION

All part numbers are identified by the series, packing type, material, size, antenna type, working frequency and packing quantity.

PART NUMBER

ANT 1204 F 002 R 0433A
 (1) (2) (3) (4) (5) (6)

(1) PRODUCT

ANT = Antenna

(2) SIZE

1204=12× 4

(3) ANTENNA TYPE

L, F, A=Chip antenna

(4) SERIAL NO.

002

(5) PACKING STYLE

R = Tape and Reel

(6) WORKING FREQUENCY

0433=433 MHz

PHYCOMP CTC

CAN4311059020431K

I2NC

431105902043

SPECIFICATION

Table 1

DESCRIPTION	VALUE
Centre Frequency	433 M Hz
Bandwidth	28M Hz (Typ.)
Return Loss	6.5 dB min
Polarization	Linear
Azimuth Beamwidth	Omni-directional
Peak Gain	0.79 dBi (Typ.)
Impedance	50 Ω
Operating Temperature	- 40~105 °C
Maximum Power	1 W
Termination	Cu / Au (Environmentally-Friendly Leadless)
Resistance to Soldering Heats	260°C , 10sec.

NOTE

I. The specification is defined on Yageo evaluation board

DIMENSIONS

Table 2 Machinical Dimension

	DIMENSION
L (mm)	12.30 ±0.20
W (mm)	4.00 ±0.20
T (mm)	1.60 ±0.20
A (mm)	0.50 ±0.20

OUTLINES

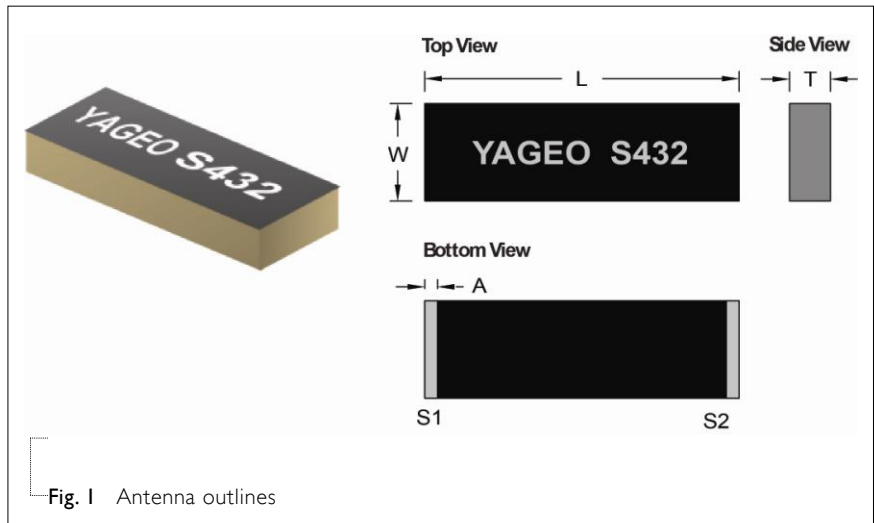
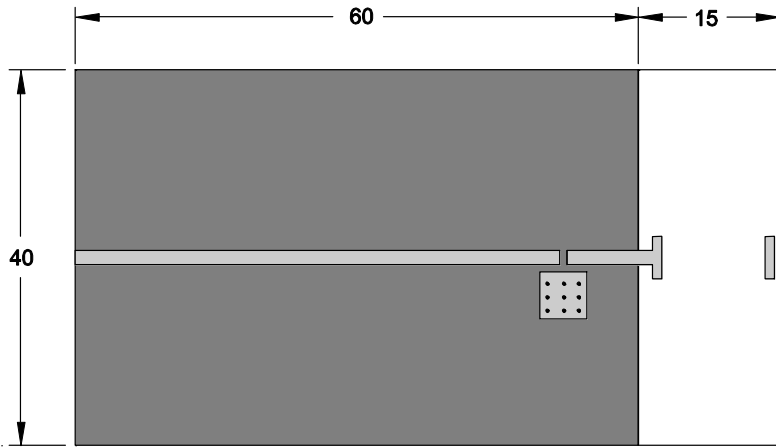


Fig. 1 Antenna outlines

Table 3 Termination configuration

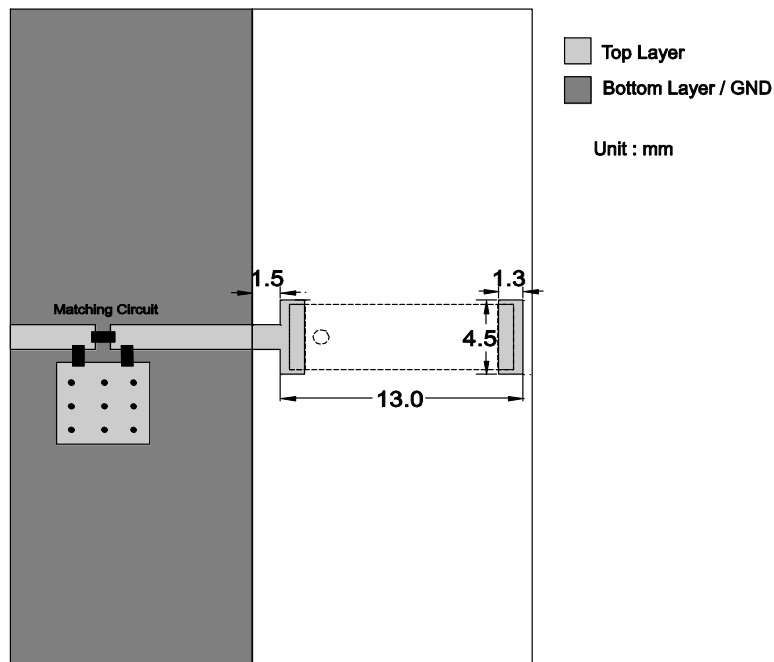
TERMINAL NAME	FUNCTION
S1	Feeding Point
S2	Soldering Point

REFERENCE DESIGN OF EVALUATION BOARD



Unit : mm

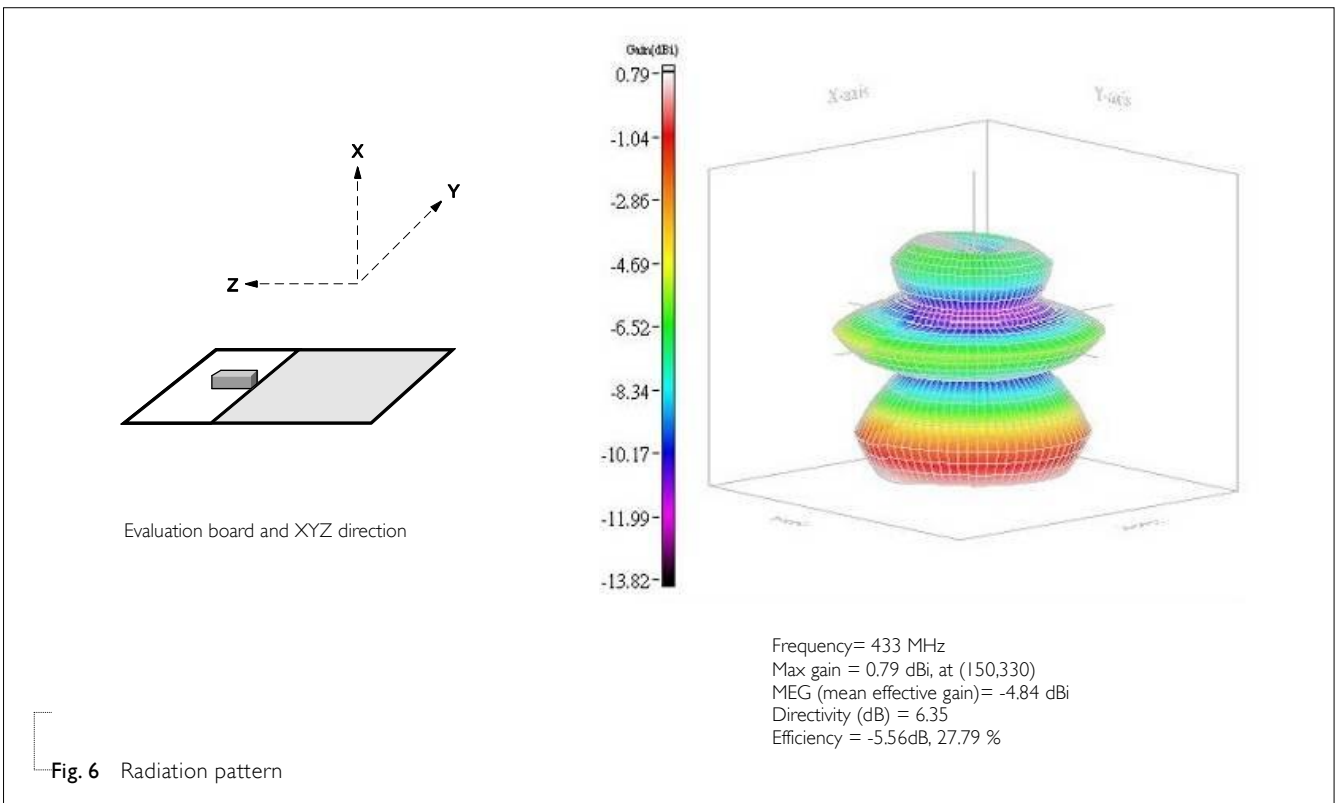
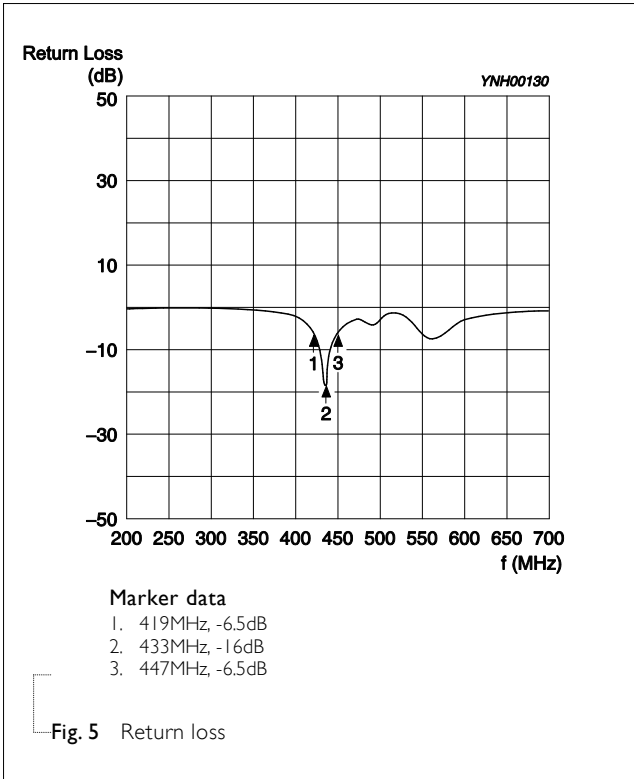
Fig. 3 Outlook and dimension of evaluation board



YNH00129

Fig. 4 Details of soldering Pad

ELECTRICAL PERFORMANCES



REVISION HISTORY**REVISION DATE CHANGE NOTIFICATION DESCRIPTION**

Version 0	Aug. 05, 2013	-	- New data sheet for SMD type antenna, 433MHz application, 1204 series
-----------	---------------	---	--

Mouser Electronics

Authorized Distributor

Click to View Pricing, Inventory, Delivery & Lifecycle Information:

Yageo:

[ANT1204F002R0433A](#)