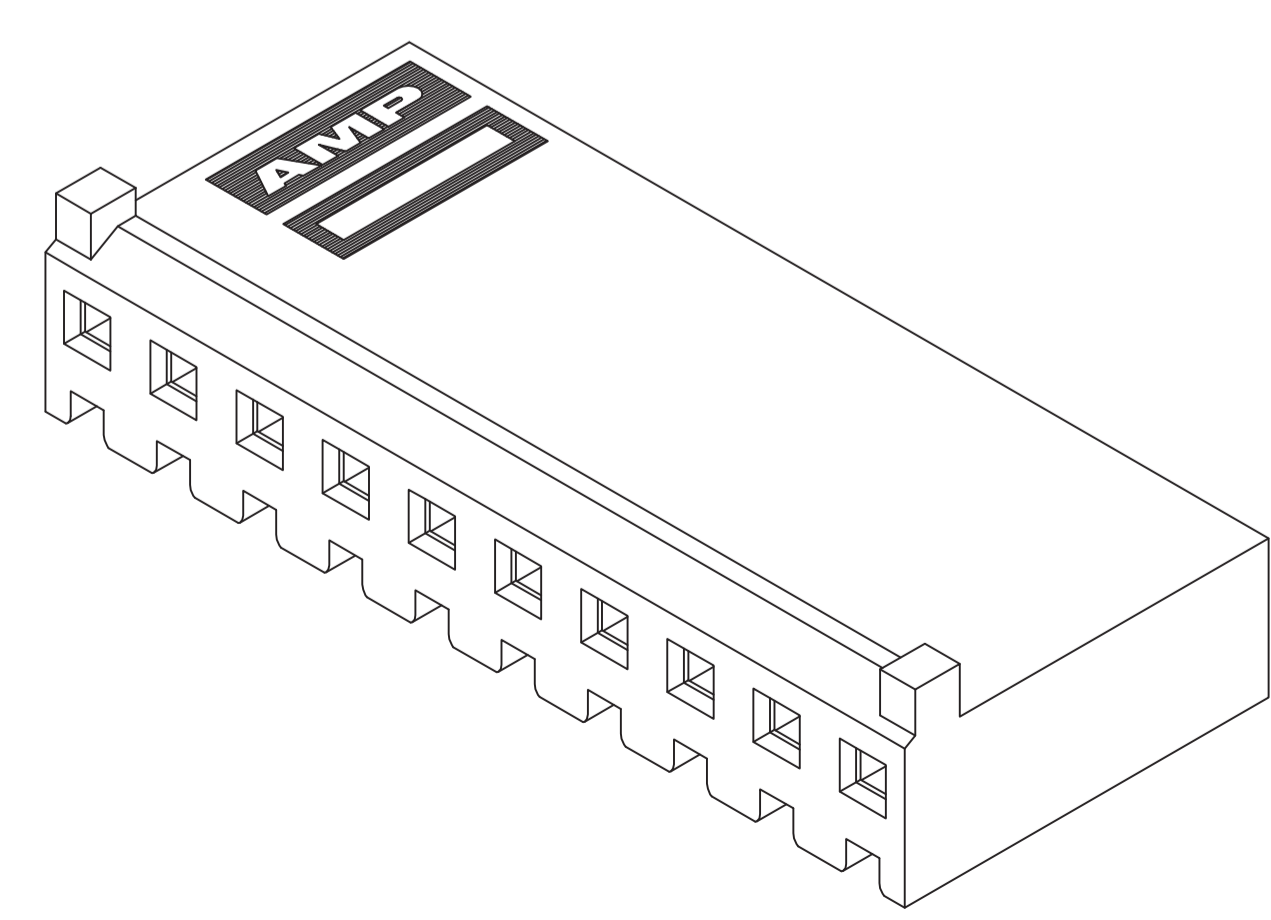
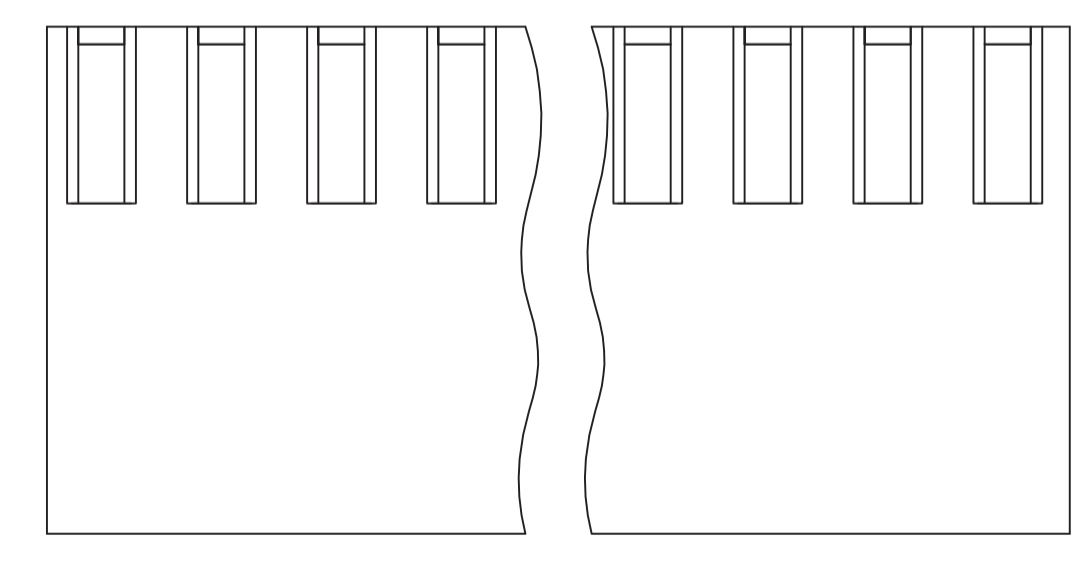
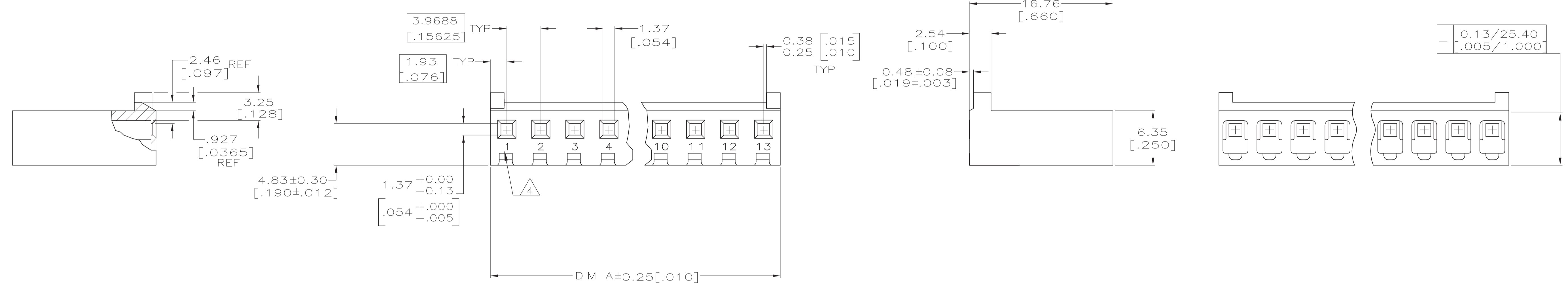
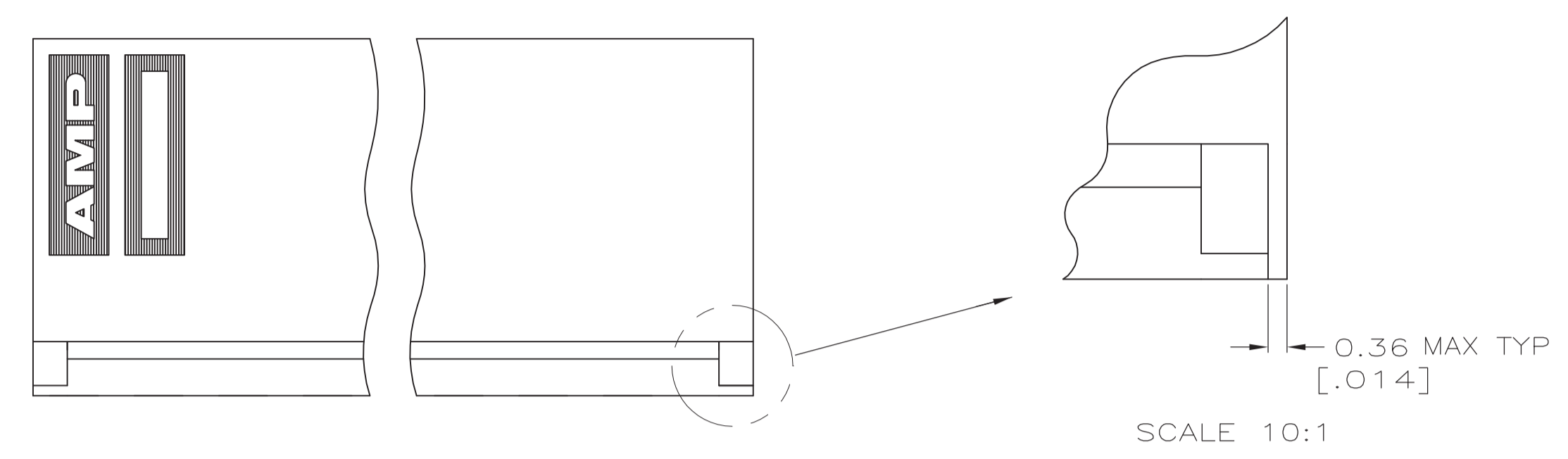


LOC		DIST		REVISIONS			
P	LTR	DESCRIPTION	DATE	DMN	APVD		
P1		REVISED PER ECR-16-005059	12APR16	AQ	DZ		

- UNIT ACCEPTS 1.14[.045] SQUARE OR ROUND POST.
- UNIT ACCEPTS STANDARD SL-156 CONTACTS.
- UNIT ACCEPTS KEYING PLUG 640254-1 AND KEYING PIN 640255-1.
- IDENTIFICATION NUMBER FOR ALL POSITIONS, OR FOR POSITION 1 ONLY, WILL BE LOCATED AS SHOWN.
- DIMENSIONS IN BRACKETS ARE IN INCHES.



1-770849-3 SHOWN

95.15[3.746]	24	2-770849-4
91.19[3.590]	23	2-770849-3
87.20[3.433]	22	2-770849-2
83.24[3.277]	21	2-770849-1
79.27[3.121]	20	2-770849-0
75.31[2.965]	19	1-770849-9
71.30[2.807]	18	1-770849-8
67.34[2.651]	17	1-770849-7
63.40[2.496]	16	1-770849-6
59.44[2.340]	15	1-770849-5
55.45[2.183]	14	1-770849-4
51.49[2.027]	13	1-770849-3
47.52[1.871]	12	1-770849-2
43.56[1.715]	11	1-770849-1
39.57[1.558]	10	1-770849-0
35.61[1.402]	9	770849-9
31.65[1.246]	8	770849-8
27.69[1.090]	7	770849-7
23.70[.933]	6	770849-6
19.74[.777]	5	770849-5
15.77[.621]	4	770849-4
11.81[.465]	3	770849-3
7.82[.308]	2	770849-2
DIM A		NO OF POSN
		PART NUMBER

THIS DRAWING IS A CONTROLLED DOCUMENT.		DIN K SALMON 5-22-91		STE TE Connectivity	
DIMENSIONS: INCHES		CHK R SWING 5-22-91		NAME	
TOLERANCES UNLESS OTHERWISE SPECIFIED:		APVD D WORTHINGTON 5-22-91		PRODUCT SPEC	
0 PLC ± -		APPLICATION SPEC		SIZE	
1 PLC ± -		SIZE		CAGE CODE	
2 PLC ± -		WEIGHT		DRAWING NO	
3 PLC ± 0.13 [.005]		A1 00779		770849	
4 PLC ± -		CUSTOMER DRAWING		SCALE 4:1	
ANGLES ± -		SHEET 1 OF 1		REV P1	
MATERIAL NYLON,UL 94V-0 NATURAL		FINISH -		RESTRICTED TO	