

10 9 8 7 6 5 4 3 2 1

F

F

E

E

D

D

C

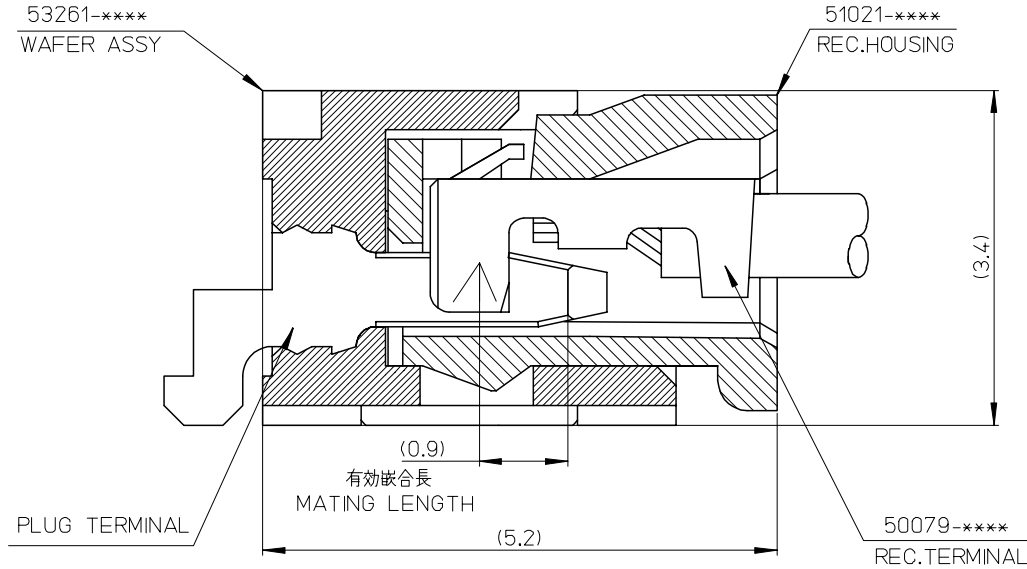
C

B

B

A

A



53261-****	WAFER ASSY	MODEL NO./MATERIAL NO.
50079-****	TERMINAL	
51021-****	HOUSING	

RELEASED EC NO: J2006-2426 DRWN: A0YAGI 2006/02/02 CHKD: YMAEDA 2006/02/03 APPR: NUKITA 2006/02/07	GENERAL TOLERANCES (UNLESS SPECIFIED)		DIMENSION STYLE MM ONLY		SCALE ---	DESIGN UNITS METRIC	THIRD ANGLE PROJECTION	
	10 UNDER	± ---	DRAWN BY Y. A0YAGI	DATE 2006/01/30	TITLE 1.25 W-TO-B CONN. 51021,53261 MATING CROSS SECTION			
	10 OVER 30 UNDER	± ---	CHECKED BY Y. MAEDA	DATE 2006/01/30	MOLEX INCORPORATED			
	30 OVER	± ---	APPROVED BY N. UKITA	DATE 2006/01/30	DOCUMENT NO. SD-51021-002			
	ANGULAR	± --- °	MATERIAL NO. SEE CHART		SHEET NO. 1 OF 1			
0	DRAFT WHERE APPLICABLE MUST REMAIN WITHIN DIMENSIONS		SIZE A3		THIS DRAWING CONTAINS INFORMATION THAT IS PROPRIETARY TO MOLEX INCORPORATED AND SHOULD NOT BE USED WITHOUT WRITTEN PERMISSION			

9

8

7

6

5

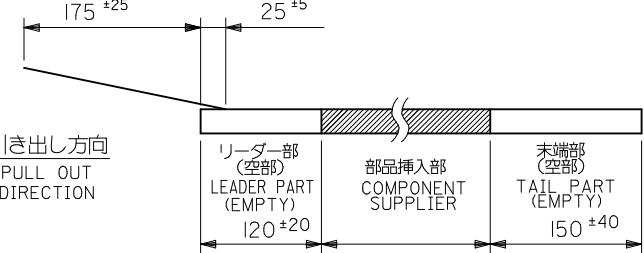
4

3

2

注記  
NOTES

- 53261-\*\*-19 の詳細寸法については図面 SD-53261-024 を参照下さい。  
RE DETAILED DIMENSIONS, SEE SD-53261-024
- 梱包数量: 1000個/リール  
NUMBER OF CONNECTOR: 1000PCS/REEL
- リードテープ長さ LEAD TAPE LENGTH  
トップテープリーダー部 TOP TAPE LEADER PART  
トップテープ未接着部 TOP TAPE NON-BONDED PART



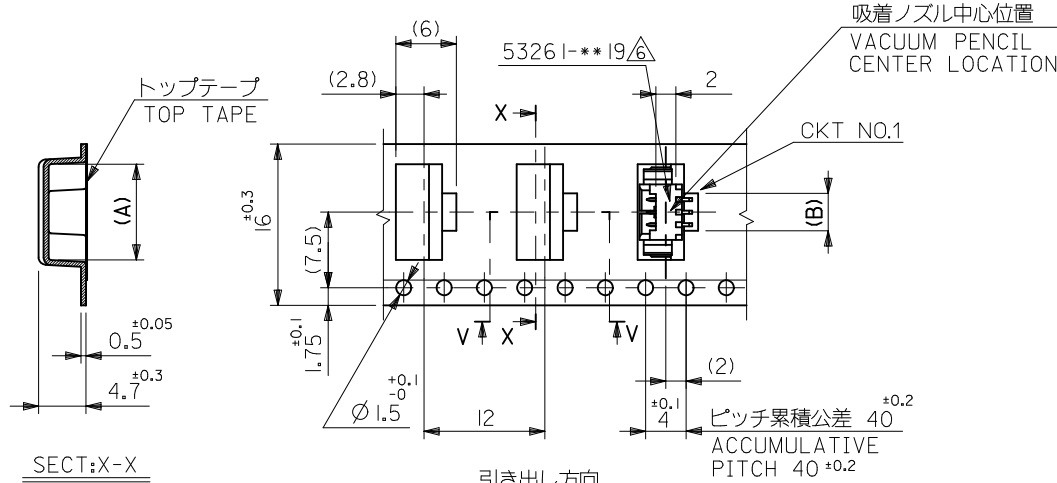
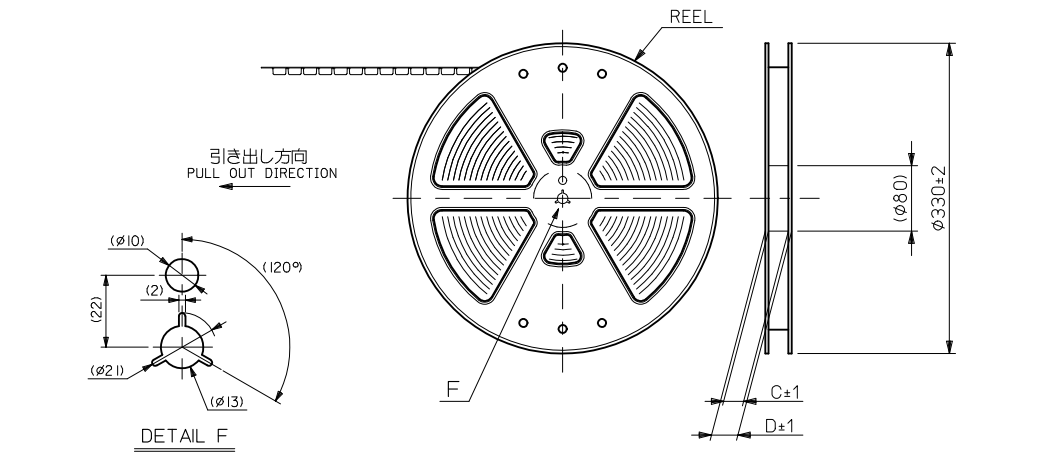
- 材料 (MATERIAL)  
キャリアテープ (CARRIER TAPE): ポリプロピレン (POLYPROPYLENE)  
トップテープ (TOP TAPE): PET, PE, PEF  
リール (REEL): ポリスチレン (PS) <リサイクル材含む>  
POLYSTYRENE (PS) <RECYCLE MATERIAL CONTAINED>

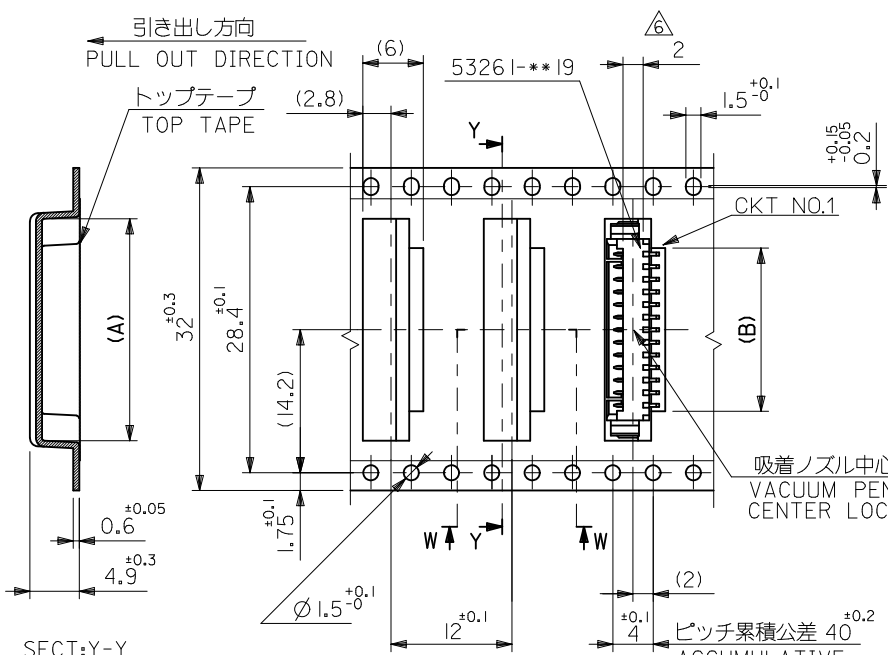
△ コネクタ、ハウジング平面部  
CONNECTOR, HOUSING FLAT AREA

- 本製品は 53261-\*\*-90 の鉛フリー品である。  
THIS PRODUCT IS LEAD FREE OF 53261-\*\*-90
- ELV及びRoHS適合品  
ELV AND RoHS COMPLIANT
- 本製品は乾燥剤入り、ハイバリア梱包仕様である。  
THIS PRODUCT IS HIGH BARRIER PACKAGE WITH DESICCANT.

16	21.4	17.4	3.7	9.5	53261-0371	3				
			2.45	8.25	53261-0271	2				
キャリアテープ幅 CARRIER TAPE WIDTH					D	C	B	A	EMBOSSED TAPE PACKAGE オーダー番号 ORDER NO.	極数 CKT.

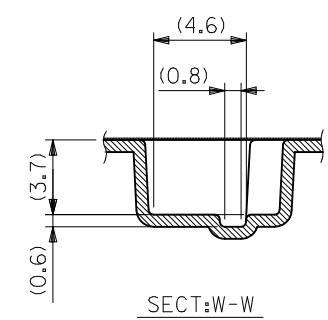
REVISED EC NO: D	DESCRIPTION 2010/02/17 DRWN: YGOTO CHKD: KASAKAWA APPR:	GENERAL TOLERANCES (UNLESS SPECIFIED)		DIMENSION STYLE MM ONLY		SCALE ---	DESIGN UNITS METRIC		THIRD ANGLE PROJECTION	
		10 UNDER	±0.2	DRAWN BY H. SHIMABUKUR	DATE '04/02/06	TITLE 1.25 W/B CONN WAFER ASSY FOR SMT EMBSTP PKG				
		10 OVER 30 UNDER	±0.25	CHECKED BY K. TOJO	DATE '04/02/06	APPROVED BY NUKITA 2010/02/18				
		30 OVER	±0.3	MATERIAL NO. SEE TABLE & SHEET 2,3		DOCUMENT NO. SD-53261-023		SHEET NO. 1 OF 3		
ANGULAR ±3 °		DRAFT WHERE APPLICABLE MUST REMAIN WITHIN DIMENSIONS		THIS DRAWING CONTAINS INFORMATION THAT IS PROPRIETARY TO MOLEX INCORPORATED AND SHOULD NOT BE USED WITHOUT WRITTEN PERMISSION						



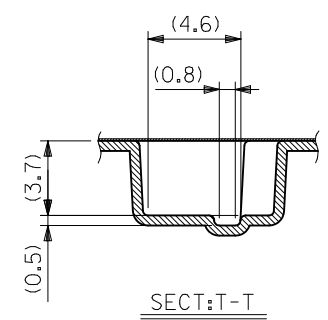


SECT:Y-Y

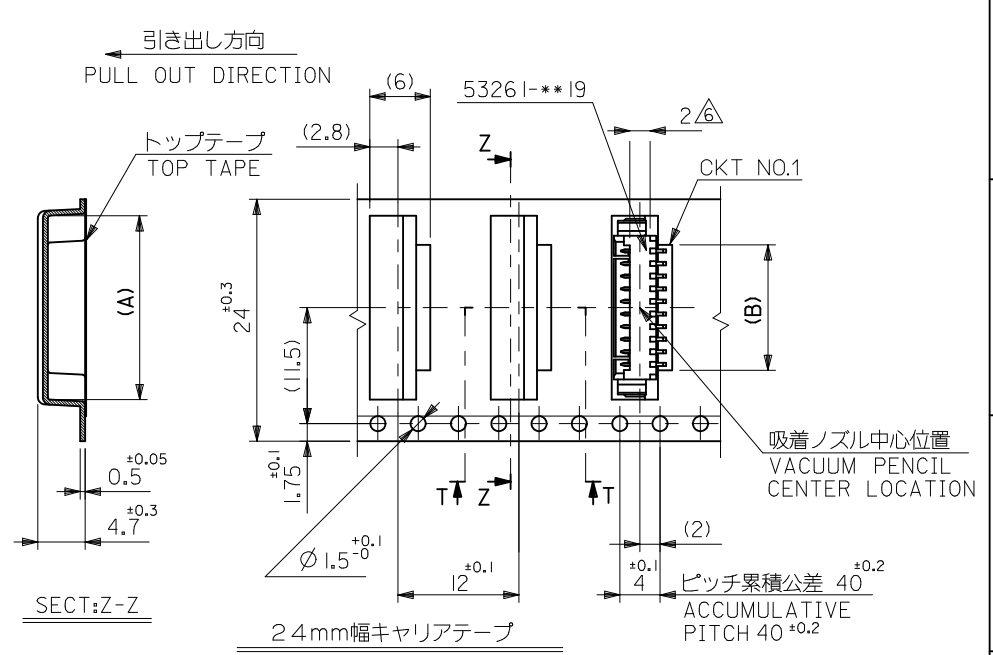
32mm幅キャリアテープ  
32mm WIDTH CARRIER TAPE



SECT:W-W



SECT:T-T



SECT:Z-Z

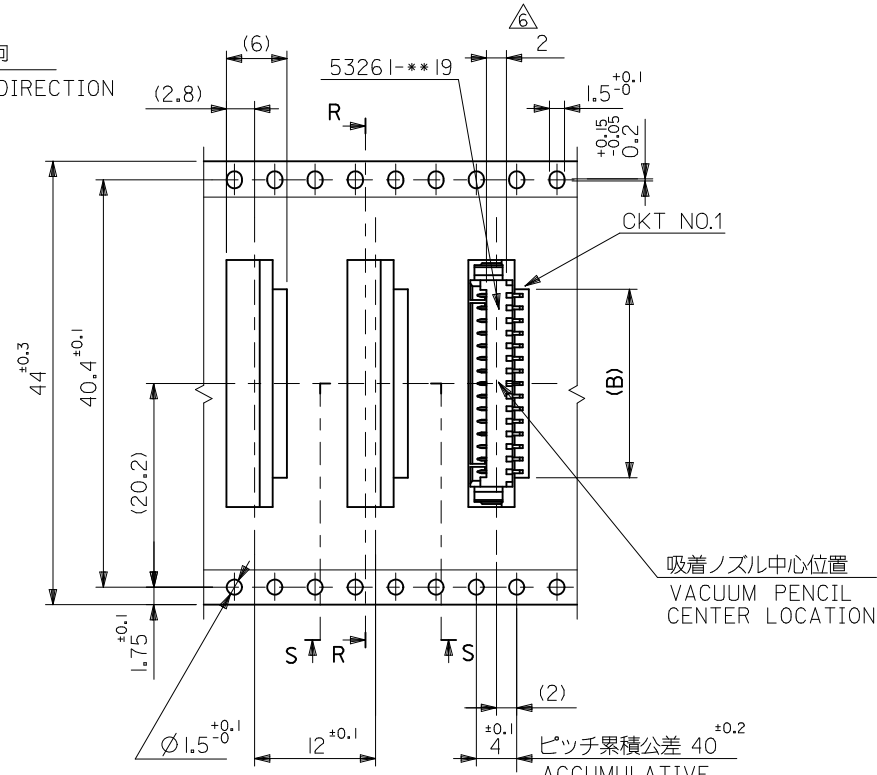
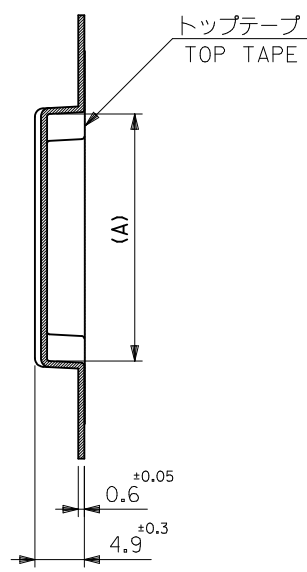
24mm幅キャリアテープ  
24mm WIDTH CARRIER TAPE

32	37.4	33.4	16.2	22	53261-1371	13
			14.95	20.75	-1271	12
24	29.4	25.4	13.7	19.5	-1171	11
			12.45	18.25	-1071	10
			11.2	17	-0971	9
			9.95	15.75	-0871	8
			8.7	14.5	-0771	7
			7.45	13.25	-0671	6
			6.2	12	-0571	5
			4.95	10.75	53261-0471	4

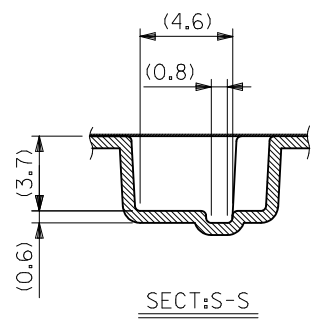
キャリアテープ幅 CARRIER TAPE WIDTH	D	C	B	A	EMBOSSD TAPE PACKAGE	極数 CKT.
--------------------------------	---	---	---	---	----------------------	------------

MODEL NO.	53261-***71	DIMENSION STYLE	MM ONLY	SCALE	DESIGN UNITS	METRIC	THIRD ANGLE PROJECTION
REVISED	2010/02/17	GENERAL TOLERANCES (UNLESS SPECIFIED)	10 UNDER ±0.2	DRAWN BY	DATE	TITLE	1.25 W/B CONN WAFER ASSY FOR SMT EMBSTP PKG
EC NO.	D	10 OVER 30 UNDER ±0.25	H. SHIMABUKUR	'04/02/06			
DRWN:	YGOTO	30 OVER ±0.3	CHECKED BY	DATE			
CHKD:	KASAKAWA	ANGULAR ±3 °	APPROVED BY	DATE			
APPR:		DRAFT WHERE APPLICABLE MUST REMAIN WITHIN DIMENSIONS	NUKITA	2010/02/18			
REV		SIZE	A3	THIS DRAWING CONTAINS INFORMATION THAT IS PROPRIETARY TO MOLEX INCORPORATED AND SHOULD NOT BE USED WITHOUT WRITTEN PERMISSION			
		MATERIAL NO.	SEE TABLE & SHEET 1.3	DOCUMENT NO.	SD-53261-023	SHEET NO.	2 OF 3

引き出し方向  
PULL OUT DIRECTION

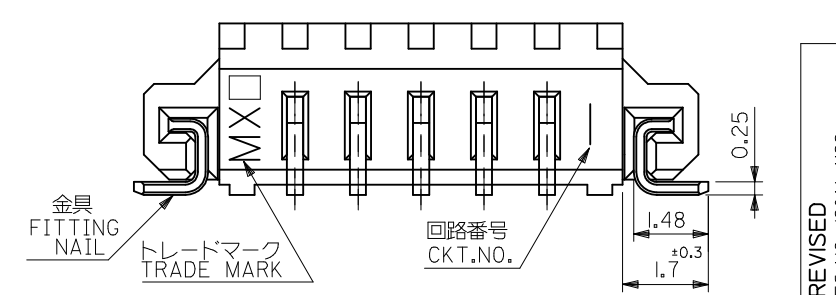
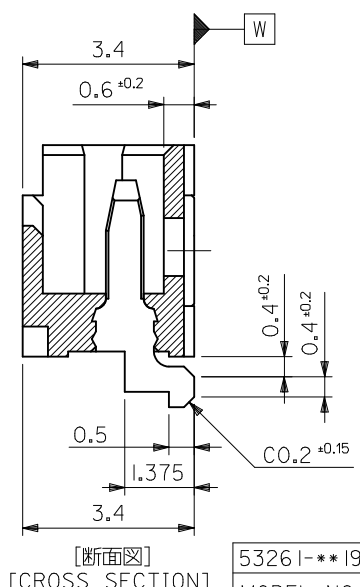
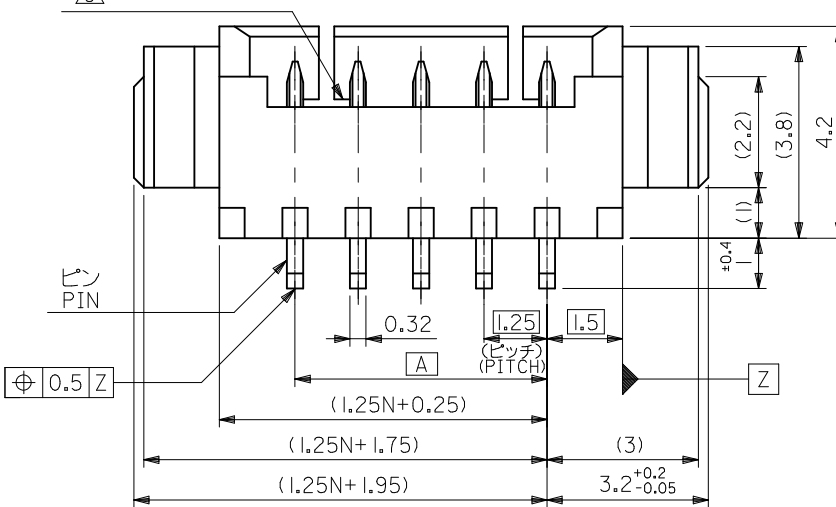
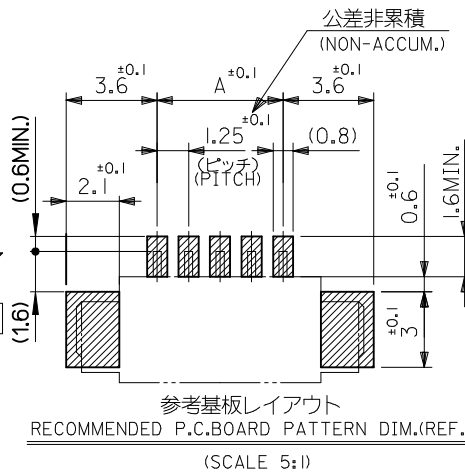
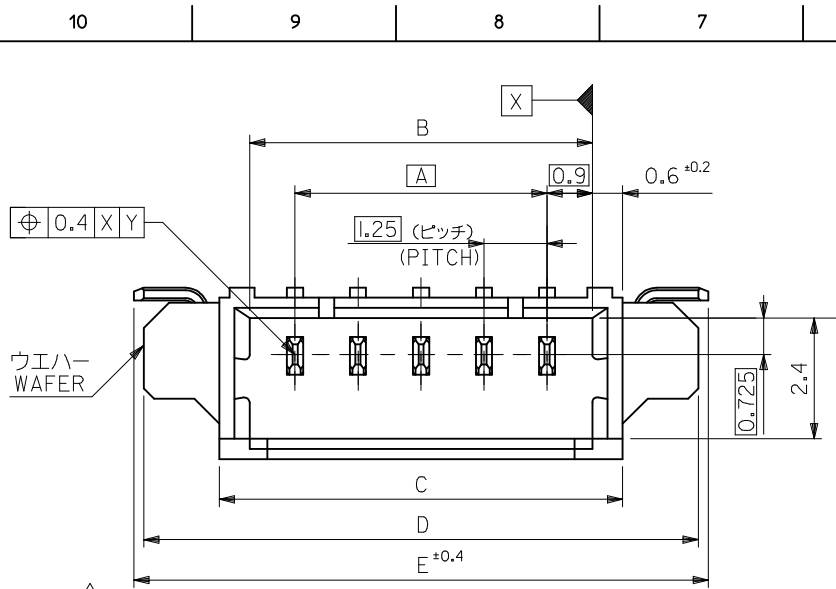


44mm幅キャリアテープ  
44mm WIDTH CARRIER TAPE



44	49.4	45.4	18.7	24.5	53261-1571	15				
			17.45	23.25	53261-1471	14				
キャリアテープ幅 CARRIER TAPE WIDTH					D	C	B	A	EMBOSSD TAPE PACKAGE	極数 CKT.
MODEL NO. 53261-***71					ORDER NO.		ORDER NO.			

REVISED EC NO: D DRWN:Y.GOTO CHKD:KASAKAWA APPR: REV	DESCRIPTION 2010/02/17	GENERAL TOLERANCES (UNLESS SPECIFIED)		DIMENSION STYLE MM ONLY		SCALE ---	DESIGN UNITS METRIC		THIRD ANGLE PROJECTION	
		10 UNDER	±0.2	DRAWN BY H. SHIMABUKUR	DATE '04/02/06	TITLE 1.25 W/B CONN WAFER ASSY FOR SMT EMBSTP PKG				
		10 OVER 30 UNDER	±0.25	CHECKED BY K. TOJO	DATE '04/02/06					
		30 OVER	±0.3	APPROVED BY NUKITA	DATE 2010/02/18	MOLEX INCORPORATED				
ANGULAR ±3 °		DRAFT WHERE APPLICABLE MUST REMAIN WITHIN DIMENSIONS		MATERIAL NO. SEE TABLE & SHEET 12		DOCUMENT NO. SD-53261-023		SHEET NO. 3 OF 3		
THIS DRAWING CONTAINS INFORMATION THAT IS PROPRIETARY TO MOLEX INCORPORATED AND SHOULD NOT BE USED WITHOUT WRITTEN PERMISSION										



注記 NOTES

- 嵌合相手: 51021 シリーズ  
MATES WITH: 51021 SERIES
- 材質 MATERIAL  
ウエハー: NYLON46, UL94V-0  
ピン: リン青銅  
: PHOS-BRO  
: 銅メッキ 1.0 マイクロメートル以上  
: TIN 1.0 MICROMETER MINIMUM  
: ニッケル下地 1.0 マイクロメートル以上  
: NICKEL (UNDER PLATING) 1.0 MICROMETER MINIMUM  
金具  
FITTING NAIL: リン青銅  
: PHOS-BRO  
: 銅メッキ 1.0 マイクロメートル以上  
: TIN 1.0 MICROMETER MINIMUM  
: ニッケル下地 1.0 マイクロメートル以上  
: NICKEL (UNDER PLATING) 1.0 MICROMETER MINIMUM
- ロック窓は2、3極は1箇所、4極以上は2箇所とする。  
LOCKING WINDOW: ONE PLACE FOR 2 AND 3 CKT. AND TWO PLACES FOR MORE THAN 3 CKT.
- ソリダータール部のスレ量及び金具(補強板)のスレ量は基準面 W に対し、上方向 0.05MAX.、下方向に 0.1 MAX.とする。  
OFFSET BETWEEN BASIS PLANE W TO SOLDER TAIL BOTTOM AND FITTING NAIL BOTTOM:  
UPPER SIDE: 0.05MAX.  
LOWER SIDE: 0.1MAX.
- 本製品は 53261-\*\*-10 の鉛フリー品である。  
THIS PRODUCT IS LEAD FREE OF 53261-\*\*10
- ELV及びRoHS適合品  
ELV AND RoHS COMPLIANT.
- ソルダータール及び金具の平坦度は0.1以下。  
SOLDER TAIL & FITTING NAIL COPLANARITY TO BE 0.1 MAX.

26.4	26	23	21.8	20	53261-1771	53261-1719	17	
23.9	23.5	20.5	19.3	17.5	-1571	-1519	15	
22.65	22.25	19.25	18.05	16.25	-1471	-1419	14	
21.4	21	18	16.8	15	-1371	-1319	13	
20.15	19.75	16.75	15.55	13.75	-1271	-1219	12	
18.9	18.5	15.5	14.3	12.5	-1171	-1119	11	
17.65	17.25	14.25	13.05	11.25	-1071	-1019	10	
16.4	16	13	11.8	10	-0971	-0919	9	
15.15	14.75	11.75	10.55	8.75	-0871	-0819	8	
13.9	13.5	10.5	9.3	7.5	-0771	-0719	7	
12.65	12.25	9.25	8.05	6.25	-0671	-0619	6	
11.4	11	8	6.8	5	-0571	-0519	5	
10.15	9.75	6.75	5.55	3.75	-0471	-0419	4	
8.9	8.5	5.5	4.3	2.5	-0371	-0319	3	
53261-**-19	7.65	7.25	4.25	3.05	1.25	53261-0271	53261-0219	2
MODEL NO.	E	D	C	B	A	EMBOSSED TAPE PKG ORDER No.	MATERIAL NO.	極数 CKT.

REVISED EC NO: J2016-1122 DRWN: QHEJ1 CHKD: SAKIYAMA APPR: IKANEKO	GENERAL TOLERANCES (UNLESS SPECIFIED)		DIMENSION STYLE		SCALE	DESIGN UNITS		THIRD ANGLE PROJECTION	
	0.25 UNDER	UNDER	±0.03	MM ONLY		10:1	METRIC		
	0.25 OVER	0.5 UNDER	±0.05	DRAWN BY	DATE	TITLE			
	0.5 OVER	1.0 UNDER	±0.1	HS HIMABU	04/02/06	1.25 WIRE TO BOARD WAFER ASS FOR SMT			
1.0 OVER	10 UNDER	±0.2	CHECKED BY	DATE					
10 OVER	30 UNDER	±0.25	KTOJO	04/02/06					
30 OVER		±0.3	APPROVED BY	DATE	SEE CHART		SD-53261-024		
ANGULAR	±3 °		MSASAO	04/02/06			SHEET NO. 1 OF 1		
DRAFT WHERE APPLICABLE MUST REMAIN WITHIN DIMENSIONS			MATERIAL NO.		DOCUMENT NO.				
			SIZE A3		THIS DRAWING CONTAINS INFORMATION THAT IS PROPRIETARY TO MOLEX ELECTRONIC TECHNOLOGIES, LLC AND SHOULD NOT BE USED WITHOUT WRITTEN PERMISSION				