

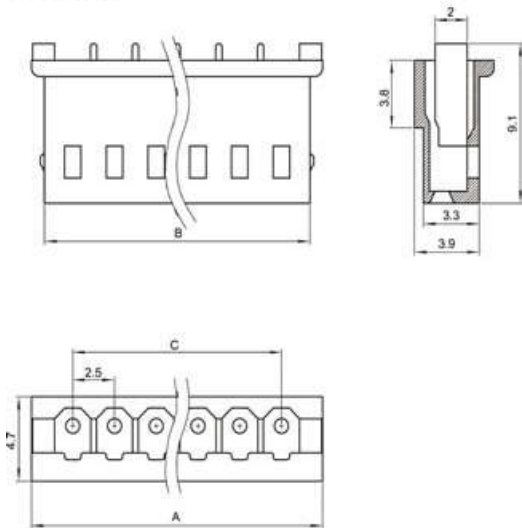
◆ SPECIFICATIONS

Unit:mm

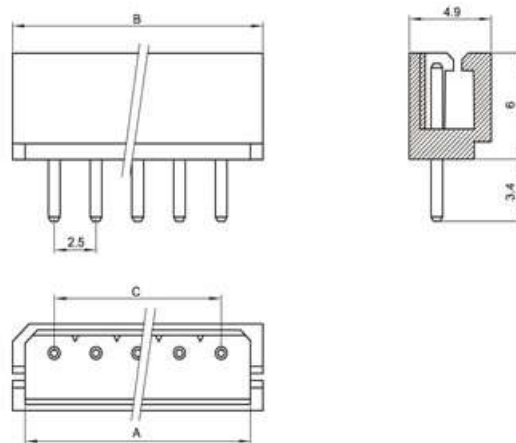
- ◇ Poles: 2~15
- ◇ Applicable wire: AWG#22-#28
- ◇ Voltage rating: 250V DC/AC
- ◇ Current rating: 3.0A
- ◇ Withstand voltage: 1000V AC
- ◇ Working Temperature: -25°C ~ +85°C
- ◇ Insulation resistance: ≥ 1000MΩ
- ◇ Contact resistance: ≤ 0.02Ω
- ◇ Applicable PC board thickness: 1.6mm

UL:Recognized No.E309635
 RoHS-specification and
 Halogen-free products

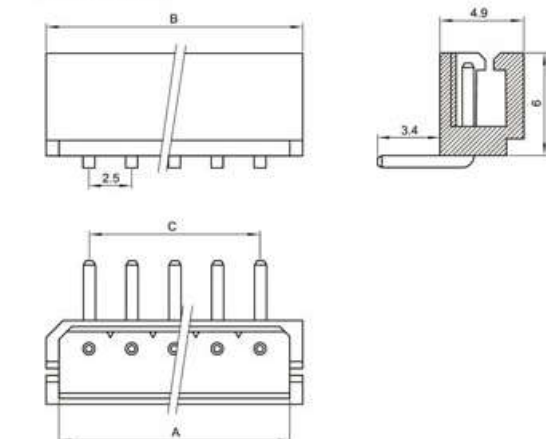
5264-nY



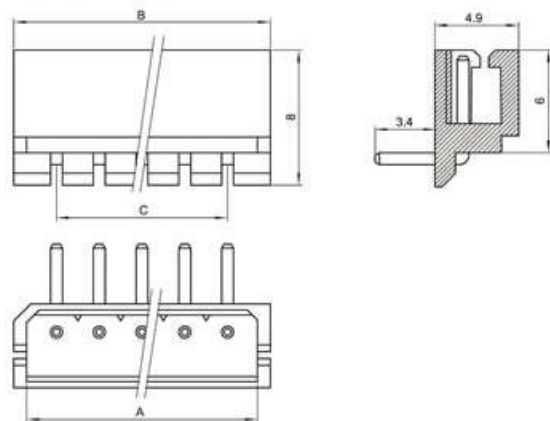
5264-nA



5264-nAW

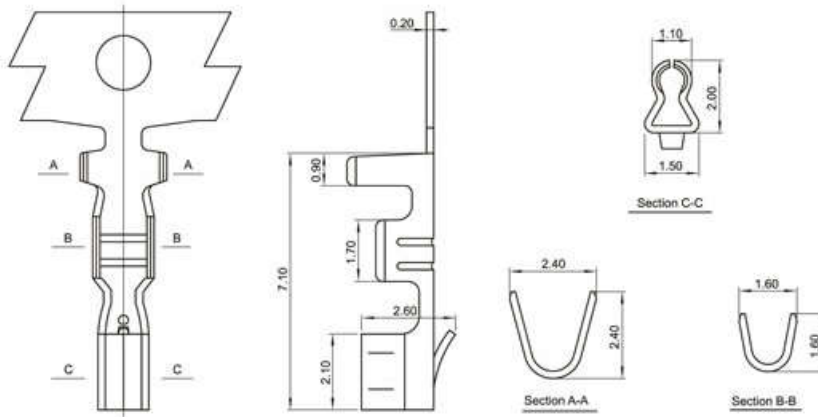


5264-nAWD

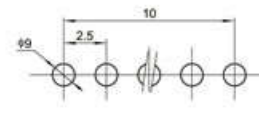
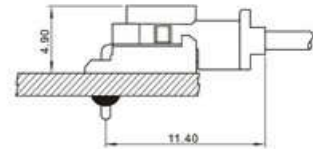
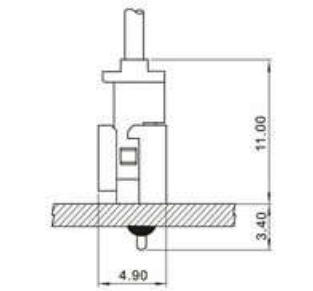


Unit:mm

5264-PT



Mounting Measurement



Terminal(5264)

Type	Applicable wires		O.D of wire ins mm	Material	Finish
	mm ²	AWG#			
BM-5264	0.08-0.3	24-32	1.2-1.9	Phos.bronze	Tin-plated

Poles	Type	Size(mm)		
		A	B	C
2	5264-2Y	7.5	6.0	2.5
3	5264-3Y	10.0	8.5	5.0
4	5264-4Y	12.5	11.0	7.5
5	5264-5Y	15.0	13.5	10.0
6	5264-6Y	17.5	16.0	12.5
7	5264-7Y	20.0	18.5	15.0
8	5264-8Y	22.5	21.0	17.5
9	5264-9Y	25.0	23.5	20.0
10	5264-10Y	27.5	26.0	22.5
11	5264-11Y	30.0	28.5	25.0
12	5264-12Y	32.5	31.0	27.5
13	5264-13Y	35.0	33.5	30.0
14	5264-14Y	37.5	36.0	32.5
15	5264-15Y	40.0	38.5	35.0

Poles	Type	Size(mm)		
		A	B	C
2	5264-2A	6.1	7.5	2.5
3	5264-3A	8.6	10.0	5.0
4	5264-4A	11.1	12.5	7.5
5	5264-5A	13.6	15.0	10.0
6	5264-6A	16.1	17.5	12.5
7	5264-7A	18.6	20.0	15.0
8	5264-8A	21.1	22.5	17.5
9	5264-9A	23.6	25.0	20.0
10	5264-10A	26.1	27.5	22.5
11	5264-11A	28.6	30.0	25.0
12	5264-12A	31.1	32.5	27.5
13	5264-13A	33.6	35.0	30.0
14	5264-14A	36.1	37.5	32.5
15	5264-15A	38.6	40.0	35.0