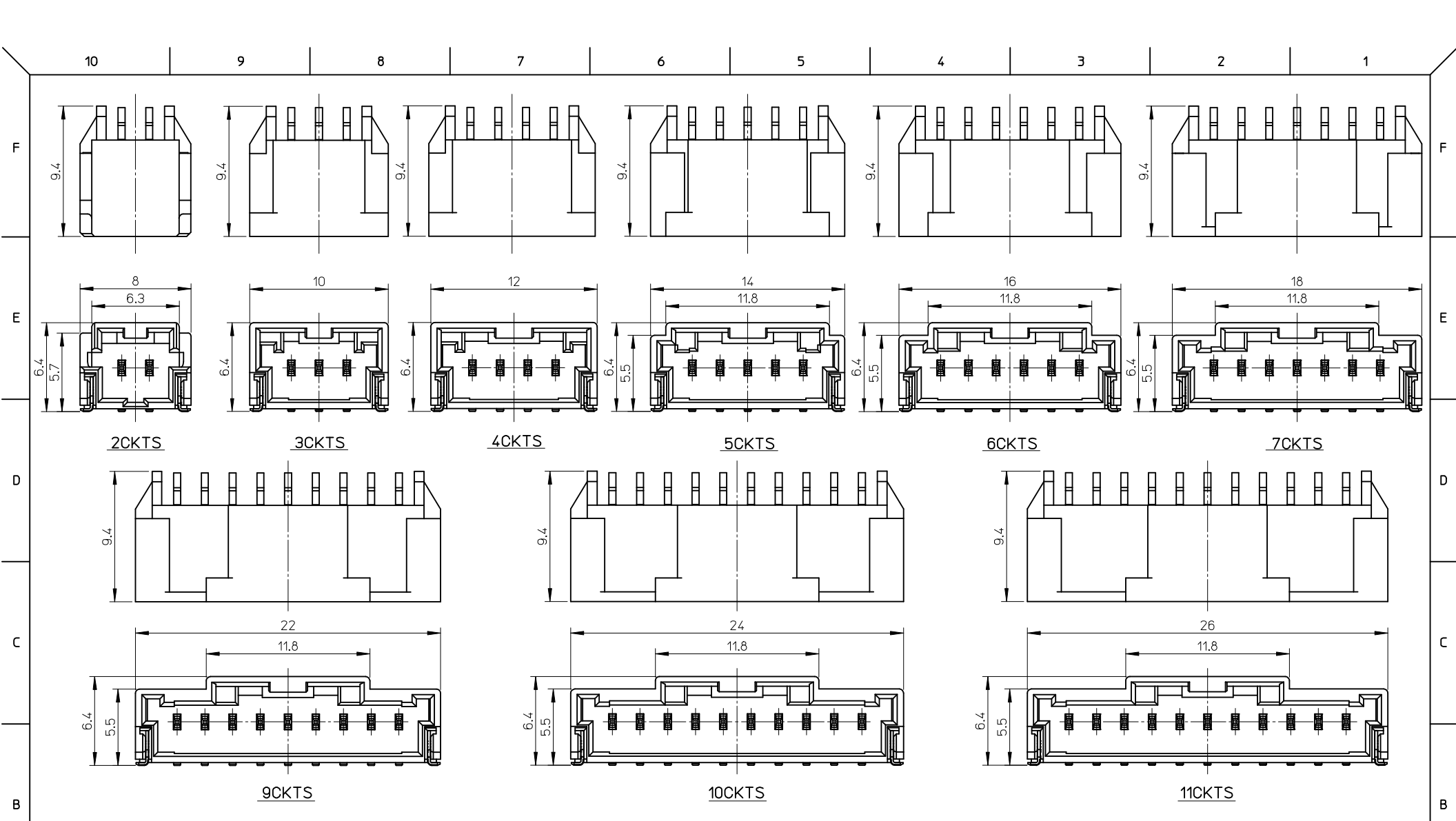


注記 NOTES

- 材質
ハウジング: 耐熱性ナイロン UL94V-0
ピン: 銅合金、ニッケル下地、錫メッキ、金メッキ
フィッティングネール: 銅合金、ニッケル下地、錫メッキ
MATERIAL
HOUSING: POLYAMIDE UL94V-0
PIN: COPPER ALLOY, GOLD OR TIN OVER NICKEL PLATE.
FITTING NAIL: COPPER ALLOY, TIN OVER NICKEL PLATE.
- 色: ナチュラル、黒、赤、青
COLOR: NATURAL, BLACK, RED, BLUE
- 嵌合相手
ハウジング: 502351-**0*
錫メッキ端子: 50212-8*00, 50372-8*00, 560085-0101
金メッキ端子: 56161-8*81
MATES WITH
HOUSING: 502351-**0*
SN PLATING TERMINAL: 50212-8*00, 50372-8*00, 560085-0101
AU PLATING TERMINAL: 56161-8*81
- エンボス梱包品の詳細はSD-502352-002参照
DETAILED TAPING PACKAGE, SEE SD-502352-002.
- ELV及びRoHS適合
ELV AND RoHS COMPLIANT
- 半田付け面のコプラナリティ: 0.1mm MAX.
CO-PLANARITY OF SOLDERING TAILS TO BE 0.1mm MAX.

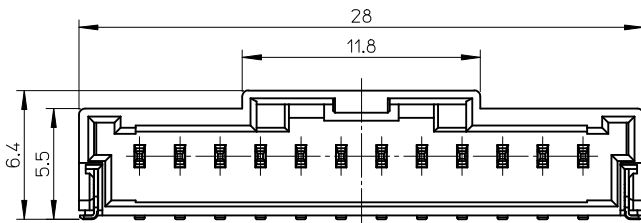
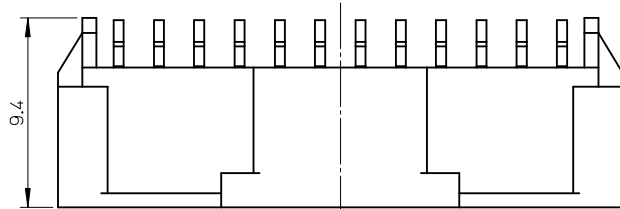
- 一般公差
GENERAL TOLERANCES
10 UNDER: 0.2
10 OVER 30 UNDER: 0.25
30 OVER: 0.3
ANGULAR: ±3°

REVISED EC NO: JTR2016-0015 DR: WNK/MAGAI02 2016/03/04 CHK: D: HKOMATSU 2016/03/04 APPR: MAYAMAMOTO 2016/03/08	QUALITY SYMBOLS △ ₁ = 0 △ ₂ = 0 △ ₃ = 0	GENERAL TOLERANCES (UNLESS SPECIFIED)		DIMENSION STYLE MM ONLY		SCALE 5:1	DESIGN UNITS METRIC	THIRD ANGLE PROJECTION		
		mm	INCH	DRAWN BY SHSHIBATA	DATE 2007/12/18	TITLE 2.0MM PITCH W/B CONN. WAFER ASSY R/A SMT				
		4 PLACES ± --- ± ---	3 PLACES ± --- ± ---	CHECKED BY HKOMATSU	DATE 2007/12/18	DOCUMENT NO. SD-502352-001				
		2 PLACES ± --- ± ---	1 PLACE ± --- ± ---	APPROVED BY AKANESHIGE	DATE 2007/12/18					
0 PLACE ± --- ± ---	ANGULAR ± - °		DRAFT WHERE APPLICABLE MUST REMAIN WITHIN DIMENSIONS		MATERIAL NO. SEE CHART		THIS DRAWING CONTAINS INFORMATION THAT IS PROPRIETARY TO MOLEX INCORPORATED AND SHOULD NOT BE USED WITHOUT WRITTEN PERMISSION			

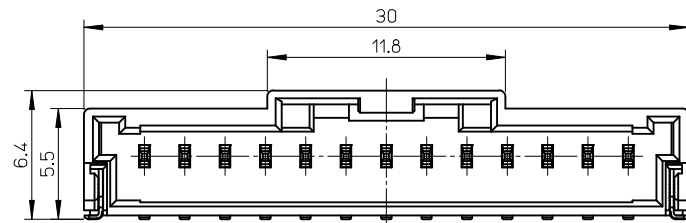
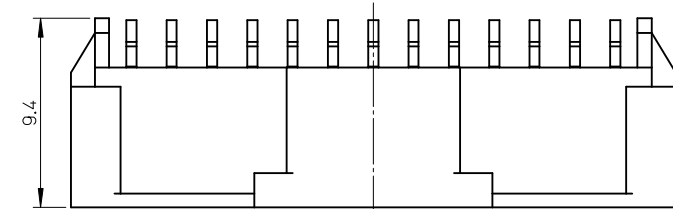


REVISED EC NO: JTR2016-0015 DRWN:KNAGA I02 2016/03/01 CHKD:HKOMATSU 2016/03/04 APPR:MATAMAMOTO 2016/03/08 K	QUALITY SYMBOLS $\nabla = 0$ $\nabla \square = 0$ $\nabla \square = 0$	GENERAL TOLERANCES (UNLESS SPECIFIED)		DIMENSION STYLE MM ONLY	SCALE 4:1	DESIGN UNITS METRIC	THIRD ANGLE PROJECTION		
		4 PLACES \pm --- \pm --- 3 PLACES \pm --- \pm --- 2 PLACES \pm --- \pm --- 1 PLACE \pm --- \pm --- 0 PLACE \pm --- \pm ---	mm INCH	DRAWN BY SHSHIBATA	DATE 2007/12/18	TITLE 2.0MM PITCH W/B CONN. WAFER ASSY R/A SMT			
		ANGULAR \pm - \circ		CHECKED BY HKOMATSU	DATE 2007/12/18	molex DOCUMENT NO. SD-502352-001 SHEET NO. 2 OF 4			
		DRAFT WHERE APPLICABLE MUST REMAIN WITHIN DIMENSIONS		APPROVED BY AKANESHIGE	DATE 2007/12/18				
REV	DESCRIPTION	SEE CHART		THIS DRAWING CONTAINS INFORMATION THAT IS PROPRIETARY TO MOLEX INCORPORATED AND SHOULD NOT BE USED WITHOUT WRITTEN PERMISSION					

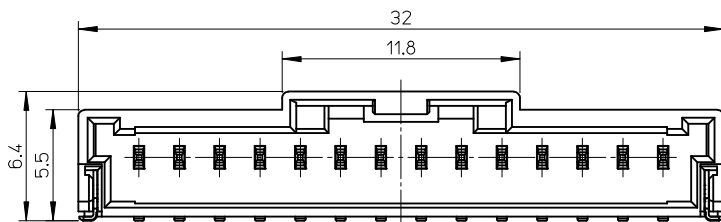
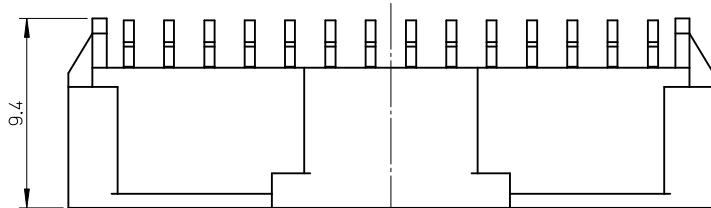
10 9 8 7 6 5 4 3 2 1



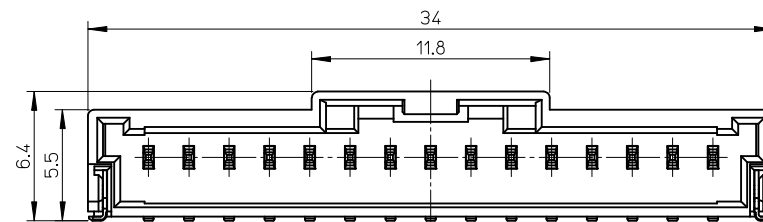
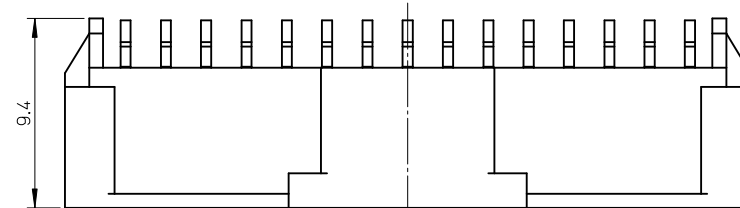
12CKTS



13CKTS



14CKTS



15CKTS

REVISED EC NO: JTR2016-0015 DRW:KNAGA I02 2016/03/01 CHKD:HKOMATSU 2016/03/04 APPR:MIYAMOTO 2016/03/08	QUALITY SYMBOLS $\nabla = 0$ $\nabla \square = 0$ $\nabla \square = 0$	GENERAL TOLERANCES (UNLESS SPECIFIED)		DIMENSION STYLE MM ONLY	SCALE 4:1	DESIGN UNITS METRIC	THIRD ANGLE PROJECTION		
		4 PLACES \pm --- \pm ---	3 PLACES \pm --- \pm ---	mm	INCH	DRAWN BY SHSHIBATA	DATE 2007/12/18	TITLE 2.0MM PITCH W/B CONN. WAFER ASSY R/A SMT	
		2 PLACES \pm --- \pm ---	1 PLACE \pm --- \pm ---	ANGULAR \pm - °		CHECKED BY HKOMATSU	DATE 2007/12/18	DOCUMENT NO. SD-502352-001	
		0 PLACE \pm --- \pm ---	DRAFT WHERE APPLICABLE MUST REMAIN WITHIN DIMENSIONS		APPROVED BY AKANESHIGE	DATE 2007/12/18	SHEET NO. 3 OF 4		
K	REV	SEE CHART		THIS DRAWING CONTAINS INFORMATION THAT IS PROPRIETARY TO MOLEX INCORPORATED AND SHOULD NOT BE USED WITHOUT WRITTEN PERMISSION					

9 8 7 6 5 4 3 2 1

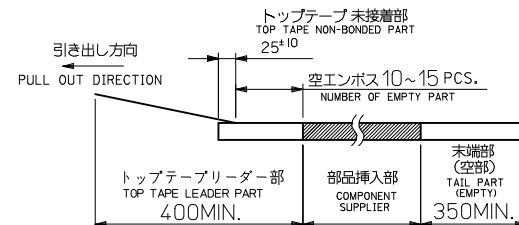
	10	9	8	7	6	5	4	3	2	1				
F	Sn NATURAL	34.0	502352-1500	15	Au NATURAL	34.0	502352-1510	15						
		32.0	502352-1400	14		32.0	502352-1410	14						
		30.0	502352-1300	13		30.0	502352-1310	13						
		28.0	502352-1200	12		28.0	502352-1210	12						
		26.0	502352-1100	11		26.0	502352-1110	11						
		24.0	502352-1000	10		24.0	502352-1010	10						
		22.0	502352-0900	9		22.0	502352-0910	9						
		20.0	502352-0800	8		20.0	502352-0810	8						
		18.0	502352-0700	7		18.0	502352-0710	7						
		16.0	502352-0600	6		16.0	502352-0610	6						
E		14.0	502352-0500	5		14.0	502352-0510	5						
		12.0	502352-0400	4		12.0	502352-0410	4						
		10.0	502352-0300	3		10.0	502352-0310	3						
		8.0	502352-0200	2		8.0	502352-0210	2						
		PLATING COLOR	A	EMBOSSED PACKAGE ORDER NO.		CKTS	PLATING COLOR	A			EMBOSSED PACKAGE ORDER NO.	CKTS		
		CONNECTOR SERIES NO. 502352-**08				CONNECTOR SERIES NO. 502352-**18								

D	Sn BLACK			15	Sn RED			15	Sn BLUE			15			
				14				14				14			
				13				13				13			
				12				12				12			
				11				11				11			
				10				10				10			
				9				9				9			
		20.0	502352-0801	8		20.0	502352-0802	8		20.0	502352-0803	8			
		18.0	502352-0701	7				7				7			
		16.0	502352-0601	6		16.0	502352-0602	6		16.0	502352-0603	6			
C		14.0	502352-0501	5		12.0	502352-0402	4		12.0	502352-0403	4			
		12.0	502352-0401	4		10.0	502352-0302	3		10.0	502352-0303	3			
		10.0	502352-0301	3		8.0	502352-0202	2		8.0	502352-0203	2			
		8.0	502352-0201	2		PLATING COLOR	A	EMBOSSED PACKAGE ORDER NO.		CKTS	PLATING COLOR	A	EMBOSSED PACKAGE ORDER NO.	CKTS	
		CONNECTOR SERIES NO. 502352-**28				CONNECTOR SERIES NO. 502352-**48				CONNECTOR SERIES NO. 502352-**68					

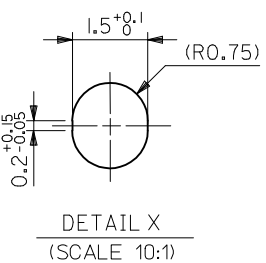
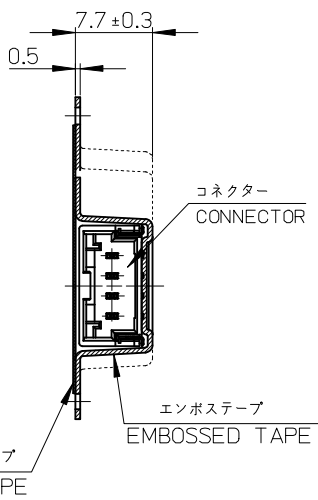
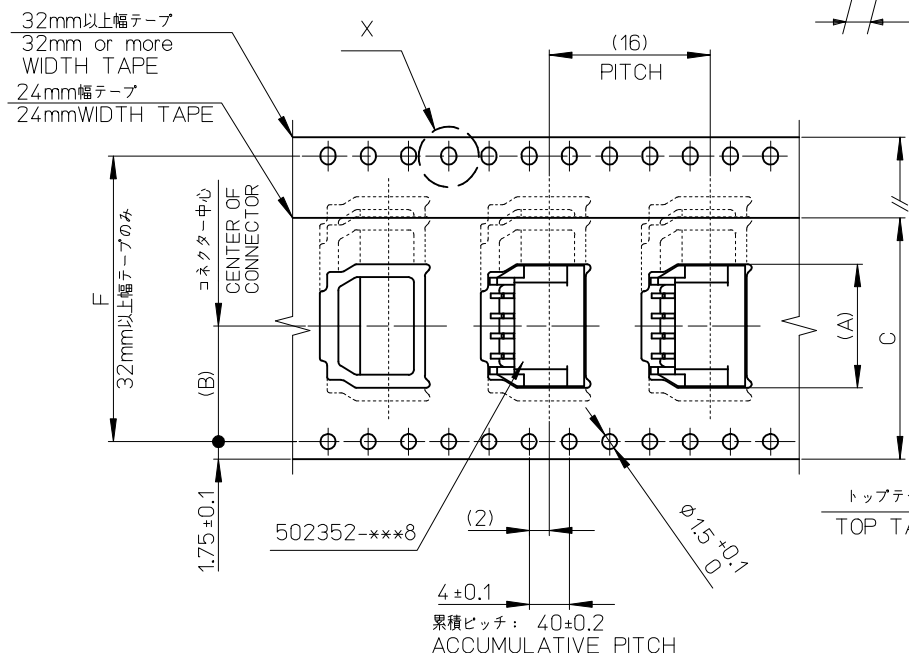
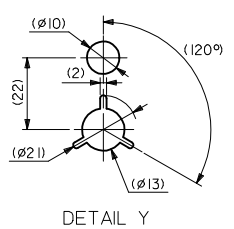
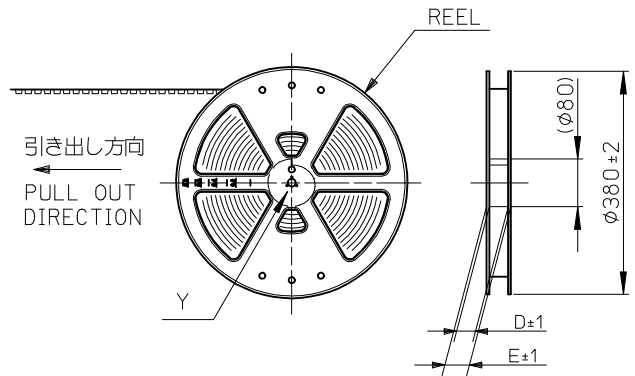
A	REVISED	EC NO: JTR2016-0015	QUALITY SYMBOLS	GENERAL TOLERANCES (UNLESS SPECIFIED)	DIMENSION STYLE MM ONLY	SCALE 5:1	DESIGN UNITS METRIC	THIRD ANGLE PROJECTION	TITLE 2.0MM PITCH W/B CONN. WAFER ASSY R/A SMT				
		DRW:KANAGA 02 2016/03/01								4 PLACES ± --- ± ---	DRAWN BY	DATE	DOCUMENT NO. SD-502352-001
		CHKD:HKOMATSU 2016/03/04								3 PLACES ± --- ± ---	SHSHIBATA	2007/12/18	
		APPR:MIYAMOTO 2016/03/08								2 PLACES ± --- ± ---	CHKED BY	DATE	
		REV								1 PLACE ± --- ± ---	HKOMATSU	2007/12/18	
										0 PLACE ± ±	APPROVED BY	DATE	
										ANGULAR ± - °	AKANESHIGE	2007/12/18	
										DRAFT WHERE APPLICABLE MUST REMAIN WITHIN DIMENSIONS	MATERIAL NO.		
											SEE CHART		
											SIZE		
		A3											

注記
NOTES

- 製品番号
 ナチュラル・錫めっき: 502352-**00
 ナチュラル・金めっき: 502352-**10
 黒・錫めっき: 502352-**01
 赤・錫めっき: 502352-**02
 青・錫めっき: 502352-**03
 詳細寸法については、製品単体図面を参照下さい。
 PART NO.
 NATURAL Sn Plating: 502352-**00
 NATURAL Au Plating: 502352-**10
 BLACK Sn Plating: 502352-**01
 RED Sn Plating: 502352-**02
 BLUE Sn Plating: 502352-**03
 SEE SALES DRAWING FOR CONNECTOR
- 梱包数量: 700個/リール
 NUMBER OF CONNECTORS 700PCS/REEL
- リードテープ長さ
 LEAD TAPE LENGHT



- 材料
 MATERIAL
 キャリアテープ: ポリスチレン
 CARRIER TAPE: POLYSTYRENE
 トップテープ: PET, PE, PEF
 TOP TAPE: PET, PE, PEF
 リール: ポリスチレン
 REEL: POLYSTYRENE
- 一般降参
 GENERAL TOLERANCES
 10 UNDER: 0.2
 10 OVER 30 UNDER: 0.25
 30 OVER: 0.3
 ANGULAR: ±1°



引き出し方向
PULL OUT DIRECTION

エンボステープ内の製品の向き
DIRECTION OF CONNECTOR
IN EMBOSSED TAPE

REVISED EC NO: JTR2016-0015 DRWN:KNAGAI02 2016/03/01 CHKD:HKWATSU 2016/03/04 APPR: MAYAMAMOTO 2016/03/08	DESCRIPTION REV	QUALITY SYMBOLS		GENERAL TOLERANCES (UNLESS SPECIFIED)		DIMENSION STYLE		SCALE	DESIGN UNITS	THIRD ANGLE PROJECTION	
		▽=0		mm INCH		MM ONLY			METRIC		
		▽=0		4 PLACES ± --- ± ---		DRAWN BY SHSHIBATA		DATE 2007/6/6			TITLE
		▽=0		3 PLACES ± --- ± ---		CHECKED BY TAITO		DATE 2007/6/6			2.0MM PITCH W/B CONN. WAFER ASSY EMBOSSED TAPE PACKAGE
				1 PLACE ± --- ± ---		APPROVED BY MAYAMAMOTO		DATE 2012/03/14		molex	
				0 PLACE ± --- ± ---		MATERIAL NO.		DOCUMENT NO.	SHEET NO.		
				ANGULAR ± °		SEE CHART		SD-502352-002	1 OF 2		
		DRAFT WHERE APPLICABLE MUST REMAIN WITHIN DIMENSIONS		SIZE A3		THIS DRAWING CONTAINS INFORMATION THAT IS PROPRIETARY TO MOLEX INCORPORATED AND SHOULD NOT BE USED WITHOUT WRITTEN PERMISSION					

	10	9				8			7			6			5			4			3			2			1												
F	Sn NATURAL	52.4	61.4	57.4	56	26.2	34.3	502352-1500	15	Au NATURAL	52.4	61.4	57.4	56	26.2	34.3	502352-1510	15	Sn BLACK	28.4	37.4	33.4	32	14.2	32.3	502352-1400	14	32.3	502352-1410	14	20.3	502352-0801	8	20.3	502352-0802	8	20.3	502352-0803	8
		30.3	502352-1300	13	30.3	502352-1310	13	18.3	502352-0701		7	18.3	502352-0702	7	18.3	502352-0703	7																						
		28.3	502352-1200	12	28.3	502352-1210	12	16.3	502352-0601		6	16.3	502352-0602	6	16.3	502352-0603	6																						
		26.3	502352-1100	11	26.3	502352-1110	11	14.3	502352-0501		5	14.3	502352-0502	5	14.3	502352-0503	5																						
		24.3	502352-1000	10	24.3	502352-1010	10	12.3	502352-0401		4	12.3	502352-0402	4	12.3	502352-0403	4																						
		22.3	502352-0900	9	22.3	502352-0910	9	10.3	502352-0301		3	10.3	502352-0302	3	10.3	502352-0303	3																						
		20.3	502352-0800	8	20.3	502352-0810	8	8.3	502352-0200		2	8.3	502352-0202	2	8.3	502352-0203	2																						
		18.3	502352-0700	7	18.3	502352-0710	7																																
		16.3	502352-0600	6	16.3	502352-0610	6																																
		14.3	502352-0500	5	14.3	502352-0510	5																																
12.3	502352-0400	4	12.3	502352-0410	4																																		
10.3	502352-0300	3	10.3	502352-0310	3																																		
8.3	502352-0200	2	8.3	502352-0210	2																																		
PLATING COLOR	F	E	D	C	(B)	(A)	エンボス梱包品 製品番号 MATERIAL NO.	極数 CKT.	PLATING COLOR	F	E	D	C	(B)	(A)	エンボス梱包品 製品番号 MATERIAL NO.	極数 CKT.	PLATING COLOR	F	E	D	C	(B)	(A)	エンボス梱包品 製品番号 MATERIAL NO.	極数 CKT.													

D	Sn BLACK	/					20.3	502352-0801	8	Sn RED	/					20.3	502352-0802	8	Sn BLUE	/					20.3	502352-0803	8																		
							18.3	502352-0701	7							18.3	502352-0702	7							18.3	502352-0703	7																		
							16.3	502352-0601	6							16.3	502352-0602	6							16.3	502352-0603	6																		
							14.3	502352-0501	5							14.3	502352-0502	5							14.3	502352-0503	5																		
							12.3	502352-0401	4							12.3	502352-0402	4							12.3	502352-0403	4																		
							10.3	502352-0301	3							10.3	502352-0302	3							10.3	502352-0303	3																		
							8.3	502352-0201	2							8.3	502352-0202	2							8.3	502352-0203	2																		
							PLATING COLOR	F	E							D	C	(B)							(A)	エンボス梱包品 製品番号 MATERIAL NO.	極数 CKT.	PLATING COLOR	F	E	D	C	(B)	(A)	エンボス梱包品 製品番号 MATERIAL NO.	極数 CKT.	PLATING COLOR	F	E	D	C	(B)	(A)	エンボス梱包品 製品番号 MATERIAL NO.	極数 CKT.

REVISED EC NO: JTR2016-0015 DRAWN: KAGA I02 2016/03/01 CHKD: KOMATSU 2016/03/04 APPR: MAYAMAMOTO 2016/03/08	DESCRIPTION QUALITY SYMBOLS F/A = 0 F/G = 0 F/P = 0	GENERAL TOLERANCES (UNLESS SPECIFIED)		DIMENSION STYLE MM ONLY		SCALE 1:1	DESIGN UNITS METRIC	THIRD ANGLE PROJECTION			
				mm	INCH	DRAWN BY SHSHIBATA	DATE 2007/6/6	TITLE 2.0MM PITCH W/B CONN. WAFER ASSY EMBOSSED TAPE PACKAGE			
				4 PLACES ± --- ± ---	3 PLACES ± --- ± ---	2 PLACES ± --- ± ---	1 PLACE ± --- ± ---	0 PLACE ± --- ± ---	APPROVED BY MAYAMAMOTO	DATE 2012/03/14	DOCUMENT NO. SD-502352-002
				ANGULAR ± - °			SEE CHART		SHEET NO. 2 OF 2		
		DRAFT WHERE APPLICABLE MUST REMAIN WITHIN DIMENSIONS			THIS DRAWING CONTAINS INFORMATION THAT IS PROPRIETARY TO MOLEX INCORPORATED AND SHOULD NOT BE USED WITHOUT WRITTEN PERMISSION						