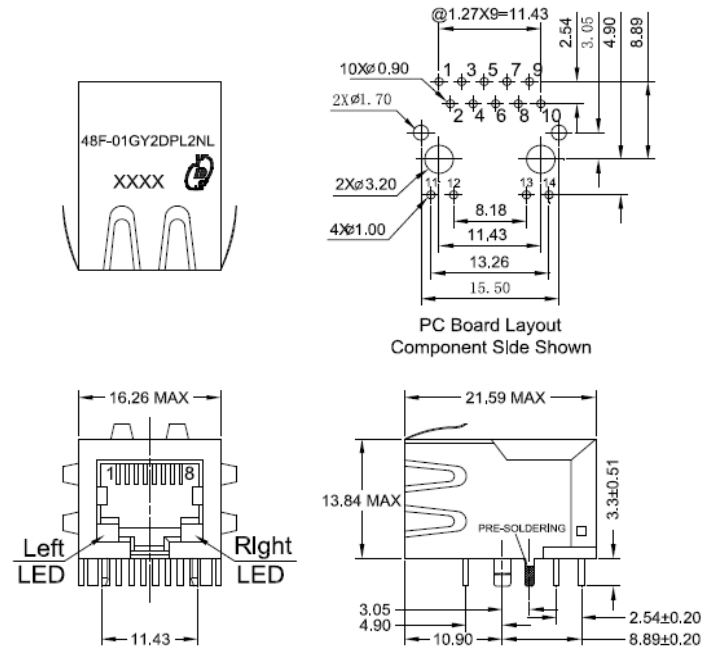


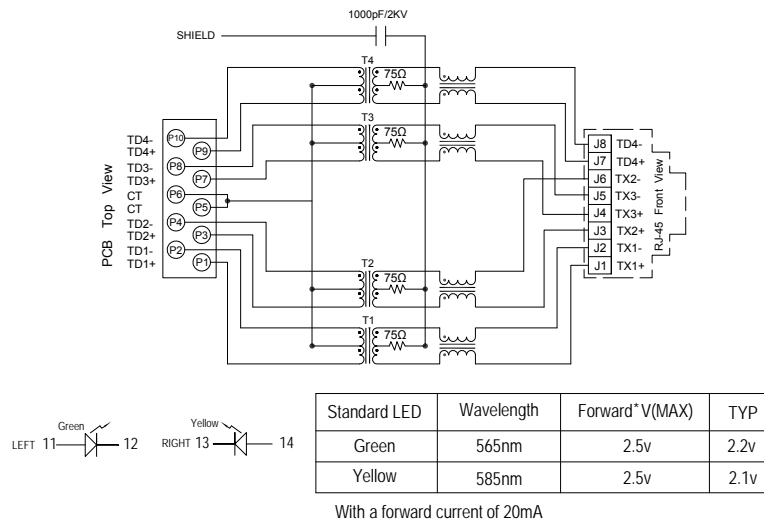
REV.	DESCRIPTION	DATE	DWN	AP'PD

## 一、Mechanicals Dimensions



UNIT:mm Unless otherwise specified,all tolerances are  $\pm 0.25$

## 二、Schematics



## 三、ELECTRICAL SPECIFICATIONS@25°C:

1. Turn Ratio( $\pm 5\%$ ): 1CT:1CT
2. OCL(100KHz/0.1V@8mA): 350uH MIN.
3. Insertion Loss(dB MAX): -1.0dB(1-100MHz)
4. Return Loss (dB MIN): -18dB(1-30MHz),-14dB(30-60MHz),-12dB(60-80MHz),
5. Cross Talk (dB MIN): -35dB(1-10MHz),-26dB(15-60MHz),-24dB(60-100MHz)
6. CMR (dB MIN): -30dB(1-100MHz),
7. HI-POT(Pri to Sec): 1500Vrms
8. Operating Temperature:0°C TO +70°C
9. RoHS compliance:YES

Ref: BOM-AL01

RoHS  
Compliant



元册科技股份有限公司

YUAN DEAN SCIENTIFIC CO., LTD.

TITLE

RJ45 1000 BASE-T SINGLE PORT  
JACK MAGNETICS

P/N

48F-01GY2DPLXNL

REV.

1.0

PAGE NO

1-4

DATE

2011-10-18

AP'PD

LiuQingHong

DWN

GuoHaiJin

## 四、Mechanicals

### Housing Material:

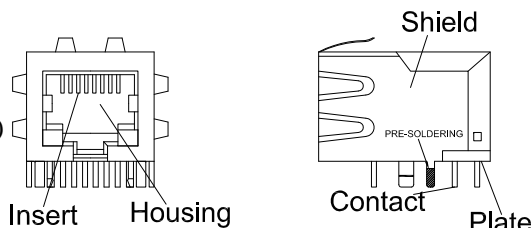
MATERIAL:NYLON GF (Fr50) UL94V-0 STANDARD COLOR:BLACK

### Insert Material:

MATERIAL:Phos-Bronze C5210 EH---0.35mm Thickness

Insert -PBT GF UL94V-0

- 1.PLATING(1) NICKEL
- 2.PLATING(2) 100%Sn
- 3.PLATING(3) GOLD (3u " ~50u " )



### Plate Material:

PBT GF UL 94V-0

### Contact pin Material:

MATERIAL: Phos-Bronze C5191---0.35mm Thickness

- 1.PLATING(1) NICKEL
- 2.PLATING(2) 100%Sn

### Shielding Material:

BRASS C2680 PLATING NICKEL

Operating Life:750 Cycles MIN.

## 五、Environmental

- 1.Storage Temp:-40°C TO +85°C.
- 2.Operating Temp: 0°C TO +70°C.
3. MATES WITH MODULAR PLUG CONFORMING TO FCC PART 68,SUBPARTE.

## 六、Part Number:

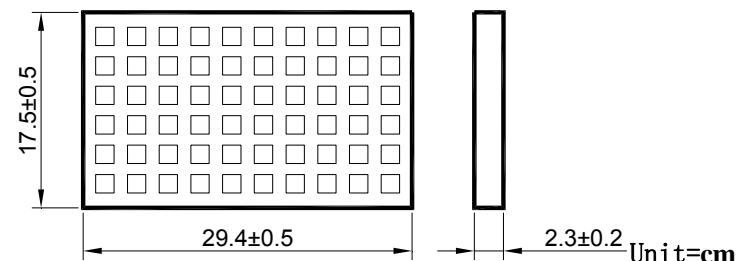
**48F-01GY2DPLXNL**

RoHS version  
Gold Plating: 1=3u", 2=6u", 3=15u", 4=30u", 5=50u",

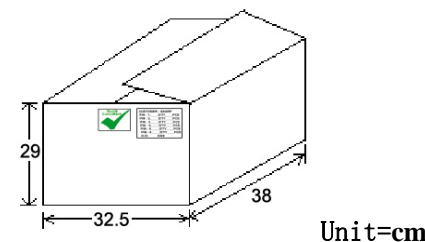
REV.	DESCRIPTION	DATE	DWN	AP'PD

## 七、Packaging

1. packaging unit : 60 PCS/tray
2. packaging material : PET



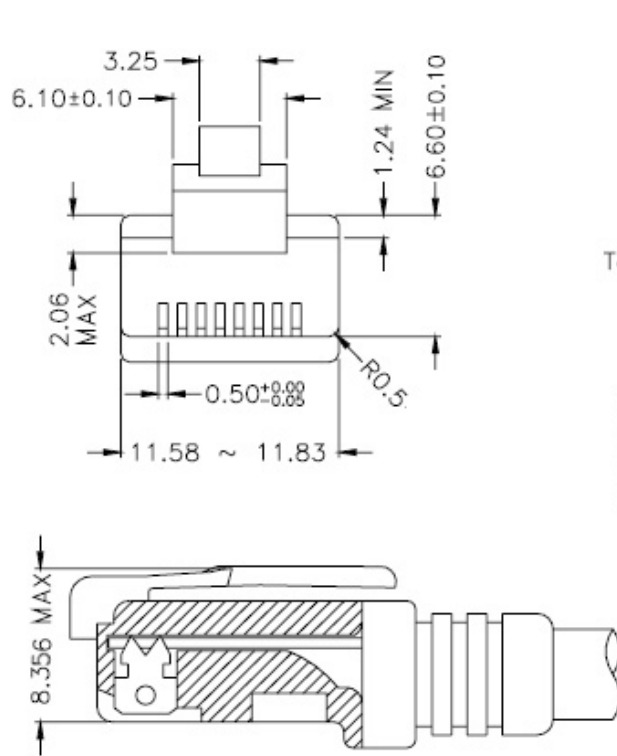
3. outer carton unit: 1320 pcs/ 22 Trays/box



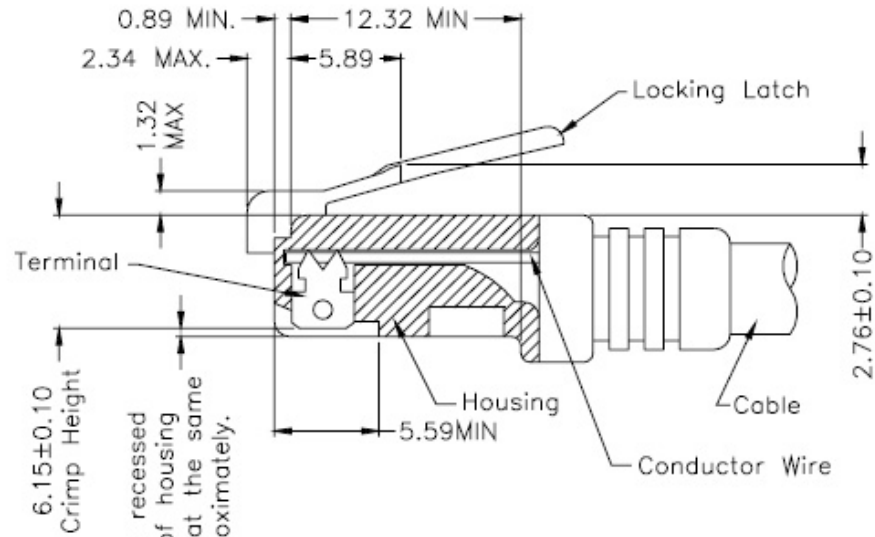
	<b>元册科技股份有限公司</b> YUAN DEAN SCIENTIFIC CO., LTD.			
	TITLE	RJ45 1000 BASE-T SINGLE PORT JACK MAGNETICS		
	P/N	48F-01GY2DPLXNL	REV.	1.0
	PAGE NO	2-4	DATE	2011-10-18
	AP'PD	LiuQingHong	DWN	GuoHaiJin

# 八、RJ PLUG SPECIFICATION

REV.	DESCRIPTION	DATE	DWN	AP'PD



FOLLOW SPECIFICATION : FCC, PART 68, SUBPART F  
FIGURE 68.500 (C)(2)(ii)



All contacts recessed below top of housing and must be at the same height approximately.

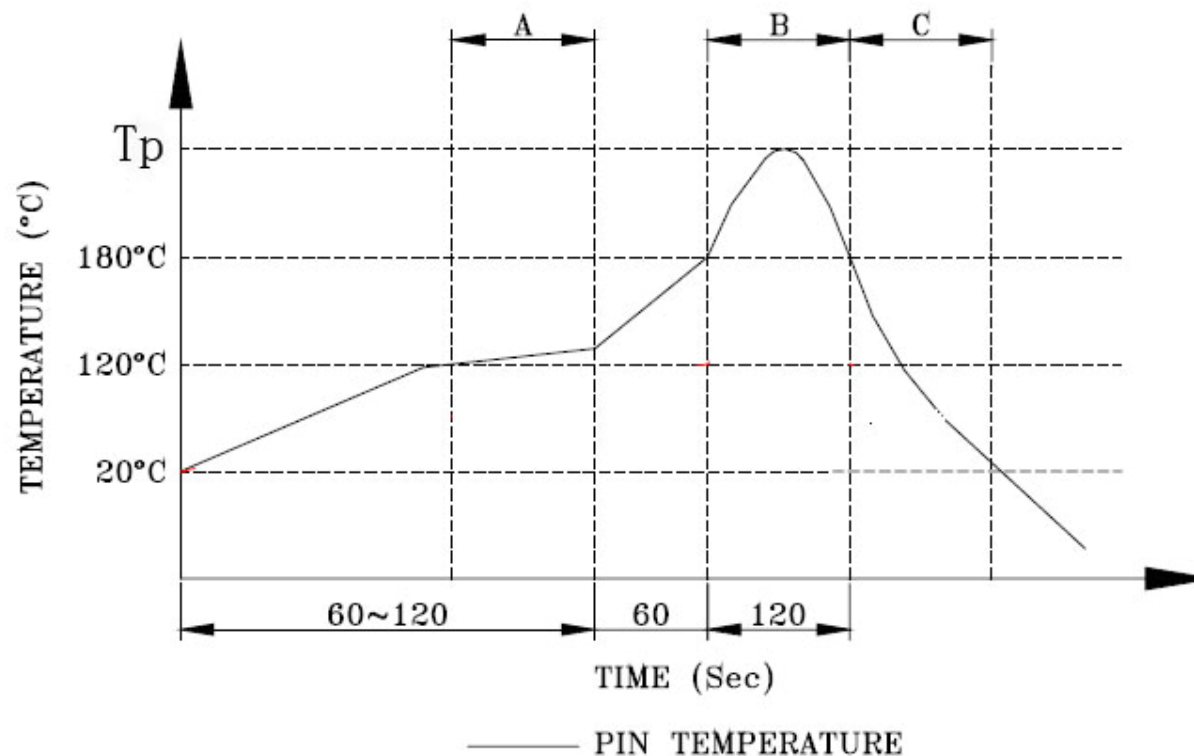
FOLLOW SPECIFICATION : FCC, PART 68,  
SUBPART F FIGURE 68.500 (C)(2)(i)  
AND IEC 603-7 FIGURE 23 & 24

STANDARD MODULAR PLUG ASSEMBLY

	 <b>元册科技股份有限公司</b> YUAN DEAN SCIENTIFIC CO., LTD.			
	TITLE		RJ45 1000 BASE-T SINGLE PORT JACK MAGNETICS	
	P/N	48F-01GY2DPLXNL	REV.	1.0
	PAGE NO	3-4	DATE	2011-10-18
	AP'PD	LiuQingHong	DWN	GuoHaiJin

# 九、PROFILE OF WAVE SOLDER

REV.	DESCRIPTION	DATE	DWN	AP'PD



A. Preheating    B. Soldering    C. Gradual Cooling

## SUGGESTED WAVE SOLDER CURVE

1. Peak temperature( $T_p$ ) :  $250 \pm 10^\circ\text{C}$
2. Peak temperature( $T_p$ ) time : 5sec max

RoHS  
Compliant



元册科技股份有限公司

YUAN DEAN SCIENTIFIC CO., LTD.

TITLE	RJ45 1000 BASE-T SINGLE PORT JACK MAGNETICS		
P/N	48F-01GY2DPLXNL	REV.	1.0
PAGE NO	4-4	DATE	2011-10-18
AP'PD	LiuQingHong	DWN	GuoHaiJin