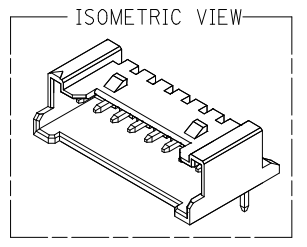
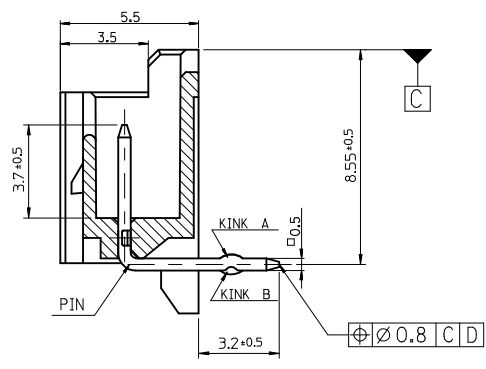
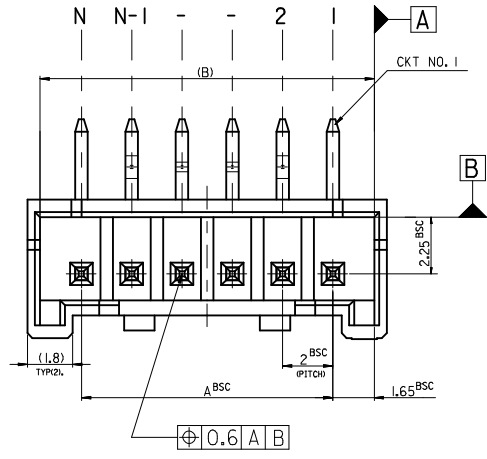


LEAD FREE



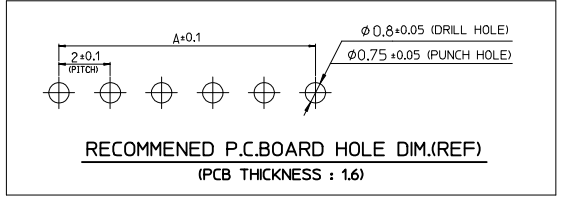
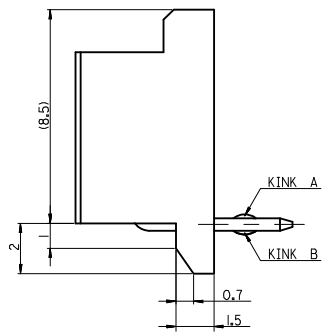
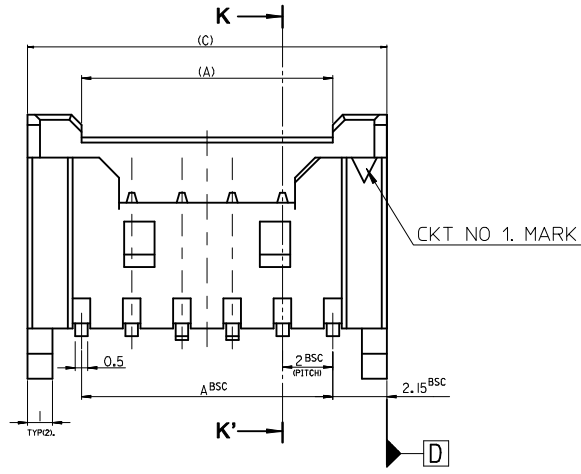
LEGEND

SD-35363-*** 6 * COLOR

- 0 : NATURAL
- 1 : BLACK
- 2 : RED
- 3 : YELLOW
- 4 : BLUE
- 5 : GREEN

CKT NO. _____

LEAD FREE _____



32.3	31.3	28	156*	- 156*	15
30.3	29.3	26	146*	- 146*	14
28.3	27.3	24	136*	- 136*	13
26.3	25.3	22	126*	- 126*	12
24.3	23.3	20	116*	- 116*	11
22.3	21.3	18	106*	- 106*	10
20.3	19.3	16	096*	- 096*	9
18.3	17.3	14	086*	- 086*	8
16.3	15.3	12	076*	- 076*	7
14.3	13.3	10	066*	- 066*	6
12.3	11.3	8	056*	- 056*	5
10.3	9.3	6	35363046*	35363-046*	4
(C)	(B)	A	MATERIAL NO.	ENG. NO.	CKT

- NOTES**
- MATERIAL : WAFER - UNFILLED POLYAMIDE, UL94V-0
PIN - BRASS
 - FINISHES : PIN - Tint(Sn) 1 ~ 3 MICROMETER OVERALL
 - PRODUCT SPECIFICATION : PS-35507-003
 - MATES WITH : HOUSING - 35507-***0*
TERMINAL - 50212-8000

CKT	1	2	3	4	5	N-2	N-1	N
6 CKT OVER	-	A	B	-	-	B	A	-
5 CKT	A	B	-	B	A			
4 CKT	A	B	B	A				

30 over	±0.3
10 over 30 under	±0.25
10 under	±0.2
ANGLE	±3°
GENERAL TOLERANCE	

REVISED
 IEC NO: KOR2015-0019
 DRWN:KIM01 2014/08/25
 CH'K:KSKIM 2014/08/26
 APPR:YSKIM02 2014/09/03

QUALITY SYMBOLS
 F=0
 F=0
 F=0

GENERAL TOLERANCES (UNLESS SPECIFIED)

	mm	INCH
4 PLACES	± ---	± ---
3 PLACES	± ---	± ---
2 PLACES	± ---	± ---
1 PLACE	± ---	± ---
0 PLACE	±	±

ANGULAR ± ---°
 DRAFT WHERE APPLICABLE MUST REMAIN WITHIN DIMENSIONS

DIMENSION STYLE
MM ONLY

SCALE
5:1

DESIGN UNITS
METRIC

THIRD ANGLE PROJECTION

DRAWN BY: YSOOKIM
 DATE: 1996/09/11

CHECKED BY: JKOH
 DATE: 1996/09/11

APPROVED BY: _____
 DATE: _____

MATERIAL NO. _____
 DOCUMENT NO. SD-35363-002

SIZE: **A3**

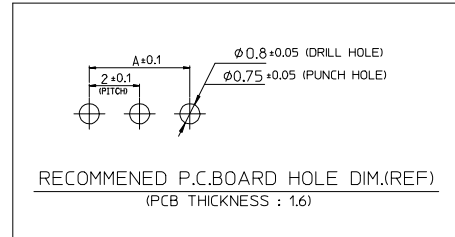
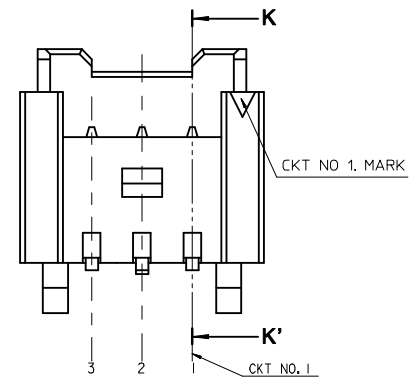
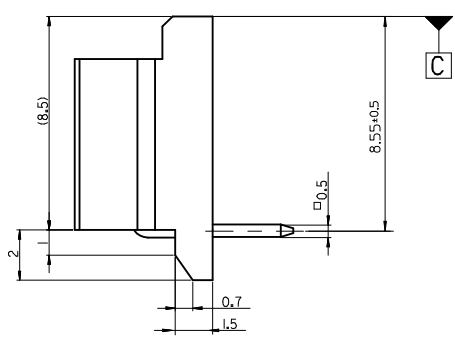
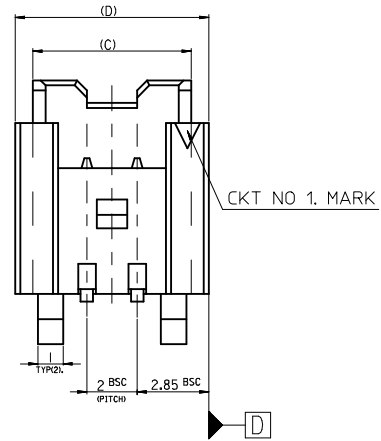
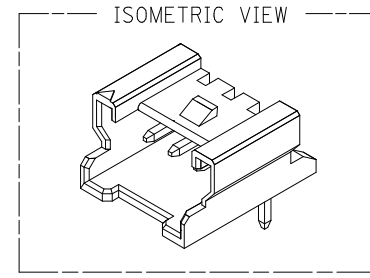
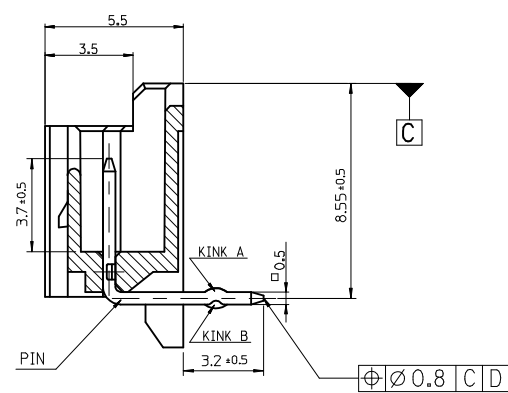
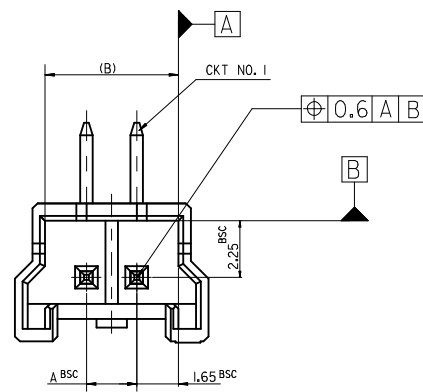
TITLE
2.0 W/B WAFER R/A ASS'Y -LEAD FREE-

molex

SHEET NO.
1 OF 1

THIS DRAWING CONTAINS INFORMATION THAT IS PROPRIETARY TO MOLEX INCORPORATED AND SHOULD NOT BE USED WITHOUT WRITTEN PERMISSION

FOR 2 & 3 CKTS. LEAD FREE



LEGEND

SD-35363-**-6* COLOR

- 0 : NATURAL
- 1 : BLACK
- 2 : RED
- 3 : YELLOW
- 4 : BLUE
- 5 : GREEN

- NOTES
- MATERIAL : WAFER - UNFILLED POLYAMIDE, UL94V-0
PIN - BRASS
 - FINISHES : PIN - Tin(Sn) 1 ~ 3 MICROMETER OVERALL
 - PRODUCT SPECIFICATION : PS-35507-003
 - MATES WITH : HOUSING - 35507-**-0*
TERMINAL - 50212-8000
 - KINK

CKT	CKT NO	1	2	3
2 CKT	NONE KINK			
3 CKT	A B A			

30 over	±0.3
10 over 30 under	±0.25
10 under	±0.2
ANGLE	±3°
GENERAL TOLERANCE	

REVISED
EC NO: KOR2015-0019
DRW:KTK1M01 2014/08/25
CHK:KSKIM 2014/08/26
APPR:YSK1M02 2014/09/03

QUALITY SYMBOLS
▽=0
▽=0
▽=0

GENERAL TOLERANCES (UNLESS SPECIFIED)

	mm	INCH
4 PLACES	± ---	± ---
3 PLACES	± ---	± ---
2 PLACES	± ---	± ---
1 PLACE	± ---	± ---
0 PLACE	±	±

ANGULAR ±---°

DRAFT WHERE APPLICABLE MUST REMAIN WITHIN DIMENSIONS

DIMENSION STYLE
MM ONLY

DRAWN BY YSOOKIM DATE 1996/09/11
CHECKED BY JKOH DATE 1996/09/11
APPROVED BY DATE

SCALE 5:1
DESIGN UNITS METRIC
THIRD ANGLE PROJECTION

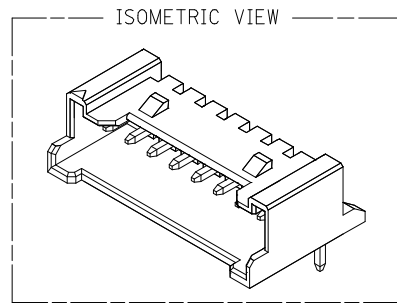
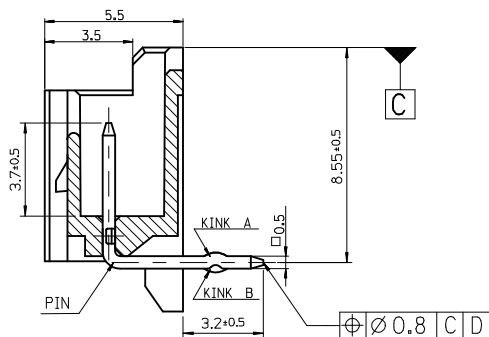
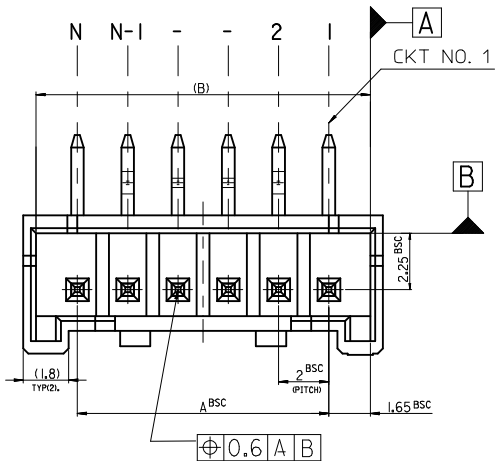
TITLE
2.0 W/B WAFER R/A ASS'Y
-LEAD FREE-

molex

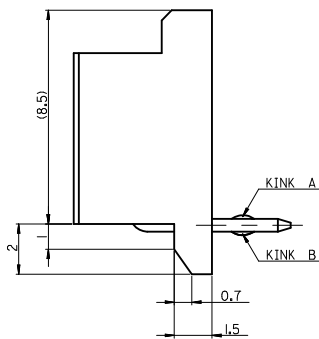
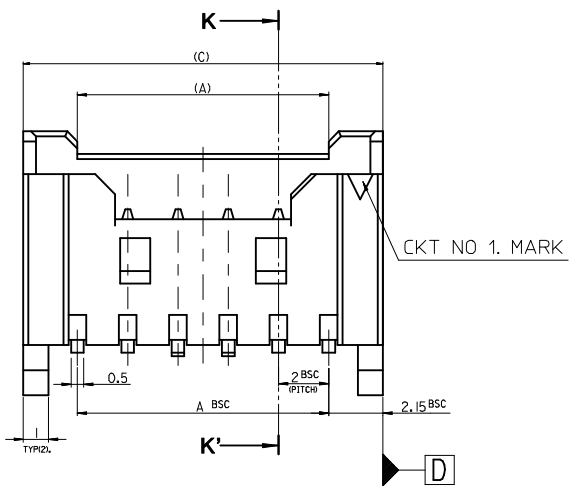
MATERIAL NO. SEE TABLE DOCUMENT NO. SD-35363-002 SHEET NO. 1 OF 1

THIS DRAWING CONTAINS INFORMATION THAT IS PROPRIETARY TO MOLEX INCORPORATED AND SHOULD NOT BE USED WITHOUT WRITTEN PERMISSION

LEAD FREE

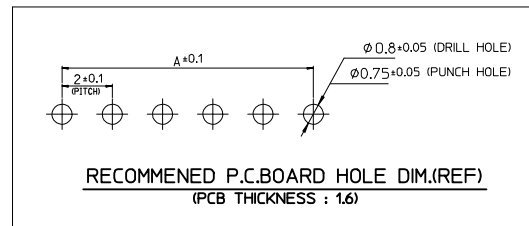


SECTION K-K'



LEGEND

SD-35363-*** 6 *	COLOR	0 : NATURAL
CKT NO.		1 : BLACK
LEAD FREE		2 : RED
		3 : YELLOW
		4 : BLUE
		5 : GREEN



NOTES

- MATERIAL : WAFER - UNFILLED POLYAMIDE, UL94V-0
PIN - BRASS
- FINISHES : PIN - Tin(Sn) 1 ~ 3 MICROMETER OVERALL
- PRODUCT SPECIFICATION : PS-35507-003
- MATES WITH : HOUSING - 35507-**0*
TERMINAL - 50212-8000
- KINK

CKT NO	1	2	3	4	N-3	N-2	N-1	N
20	-	A	B	-	-	B	A	-

30 over	±0.3
10 over 30 under	±0.25
10 under	±0.2
ANGLE	±3°
GENERAL TOLERANCE	

REVISED	EC NO: KOR2015-0019
D	DRWN:KIM01 2014/08/25
	CHK:KSKIM 2014/08/26
	APPR:YSKIM02 2014/09/03
REV	DESCRIPTION

QUALITY SYMBOLS
$\nabla = 0$
$\nabla = 0$
$\nabla = 0$

GENERAL TOLERANCES (UNLESS SPECIFIED)	
	mm
4 PLACES	± ---
3 PLACES	± ---
2 PLACES	± ---
1 PLACE	± ---
0 PLACE	±
ANGULAR ± --- °	
DRAFT WHERE APPLICABLE MUST REMAIN WITHIN DIMENSIONS	

42.3	41.3	38	35363206*	35363-206*	20
(C)	(B)	A	MATERIAL NO.	ENG. NO.	CKT
DIMENSION STYLE		SCALE	DESIGN UNITS	THIRD ANGLE PROJECTION	
MM ONLY		5:1	METRIC		
DRAWN BY	DATE	TITLE			
YSOOKIM	1998/04/23	2.0 W/B WAFER R/A ASS'Y -LEAD FREE-			
CHECKED BY	DATE				
JKOH	1998/04/23				
APPROVED BY	DATE				
MATERIAL NO.			DOCUMENT NO.	SHEET NO.	
SEE TABLE			SD-35363-002	1 OF 1	
THIS DRAWING CONTAINS INFORMATION THAT IS PROPRIETARY TO MOLEX INCORPORATED AND SHOULD NOT BE USED WITHOUT WRITTEN PERMISSION					