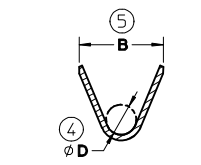
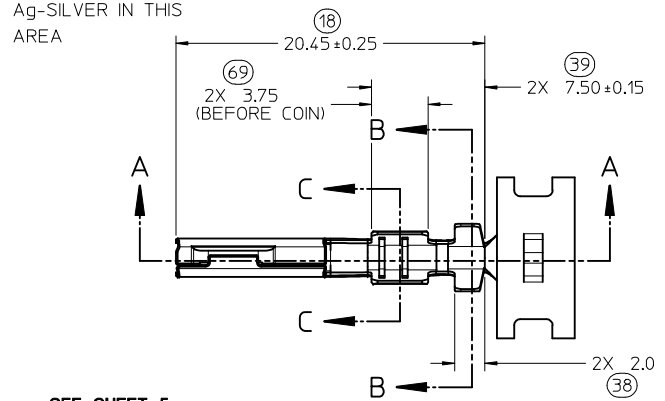
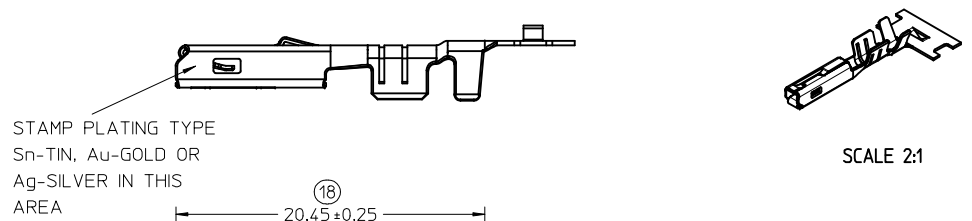
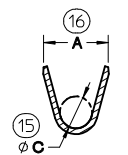


DIMENSIONS FOR LARGE POLARIZATION RIB TERMINAL ONLY



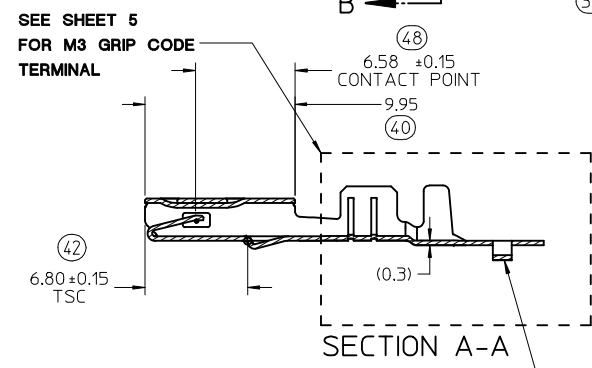
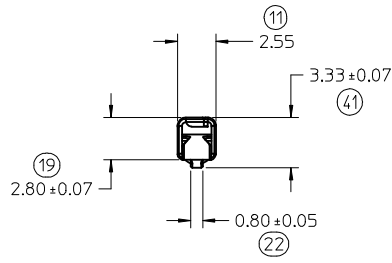
**SECTION B-B
SCALE 5:1**



**SECTION C-C
SCALE 5:1**

NOTES: (UNLESS OTHERWISE SPECIFIED)

1. MATING TERMINAL SHOWN ON SD-33000-001
2. MATERIAL: ASTM B422, UNS C19025, HR04
THICKNESS: 0.30 mm +0.01
TEMPER: FULL HARD (REF)
TENSILE: 496 MIN MPA
3. TIN PLATED TERMINAL FINISH:
OVERALL UNDERPLATE ELECTRODEPOSITED NICKEL
OVERALL ELECTRODEPOSITED REFLOW TIN
4. GOLD PLATED TERMINAL FINISH:
OVERALL UNDERPLATE ELECTRODEPOSITED DUCTILE SULFAMATE NICKEL
CONTACT AREA - ELECTRODEPOSITED GOLD
GRIP AREA - ELECTRODEPOSITED 100% TIN MATTE FINISH
5. SILVER PLATED TERMINAL FINISH:
OVERALL UNDERPLATE ELECTRODEPOSITED DUCTILE SULFAMATE NICKEL
CONTACT AREA - ELECTRODEPOSITED PURE SILVER (0.5% MAX
IMPURITIES) SEMI-BRIGHT FINISH
- SILVER ANTI-TARNISH : EVABRITE
GRIP AREA - ELECTRODEPOSITED 100% TIN MATTE FINISH
6. MEETS PERFORMANCE SPECIFICATION FOR CABLE TO TERMINAL
ELECTRICAL CRIMPS PER SAE/USCAR-21 (8/2001)
7. MEETS PERFORMANCE STANDARD FOR AUTOMOTIVE ELECTRICAL
CONNECTOR SYSTEMS FOR SAE/USCAR-2, REV. 4 (TEMP CLASS 3)
(5/2004)
8. MEETS ELECTRICAL CONNECTION SYSTEM DESIGN SPECIFICATION
(SDS) REV.11 (5/2002)
9. MEETS FIELD CORRELATED LIFE TEST (FCLT) PER
SAE/USCAR-20 (6/2004)
10. MEETS WIRING COMPONENT DESIGN GUIDELINES SAE/USCAR-12
REV 2 (12/2001)
11. TSC ON A DIMENSION TO BE INTERPRETED AS DISTANCE TO
A THEORETICAL SHARP CORNER AS IF THE RADIUS WERE NOT
PRESENT
12. REFERENCE 97BG-14474-AAB FOR LARGE POLARIZATION RIB
CAVITY SPECIFICATION
13. INSERTION FORCE (TIN) AVG. FROM PV TESTING -
3.8N LARGE POLARIZATION RIB
3.5N SMALL POLARIZATION RIB
(REFERENCE)
14. ALL DIMENSIONS EXCEPT (33), (34), (41) & (42) ARE COMMON TO
BOTH SMALL AND LARGE POLARIZATION RIB TERMINALS
15. REFERENCE PK-31300-516 FOR REEL DIRECTION
16. REFERENCE AS-33012-002 FOR CRIMP INFORMATION



**SEE SHEET 5
FOR M3 GRIP CODE
TERMINAL**

CARRIER BUMP DIRECTION
POINTS DOWN FOR TIN PLATED TERMINALS
POINTS UP FOR PRECIOUS PLATED TERMINALS

(10.67)
PROGRESSION

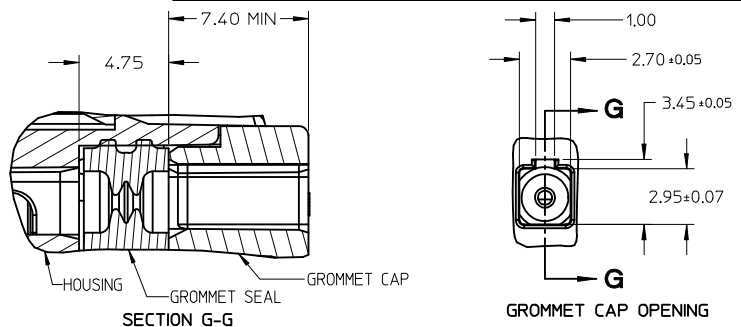
ENTER DESCRIPTION EC NO: UAU2017-1076 DRW: NANKATESHSH2017/05/29 CHKDA: DHIR 2017/05/29 APPR: T.JSMITH 2017/06/09	QUALITY SYMBOLS ∇=0 ∇=0 ∇=0	GENERAL TOLERANCES (UNLESS SPECIFIED)		DIMENSION STYLE MM ONLY		SCALE 4:1	DESIGN UNITS METRIC	THIRD ANGLE PROJECTION	
		4 PLACES ± --- ± --- 3 PLACES ± --- ± --- 2 PLACES ± 0.10 ± --- 1 PLACE ± 0.3 ± --- 0 PLACE ± ±	mm INCH	DRAWN BY DATE L. PULLIAM 2005/06/21	CHECKED BY DATE A. DHIR 2005/06/21	APPROVED BY DATE B. MOSER 2005/06/22		TITLE MX150 RECEPTACLE TERMINAL molex DOCUMENT NO. SD-33012-002 SHEET NO. 1 OF 5	
ANGULAR ± 3 °		MATERIAL NO. SEE TABLE		DRAFT WHERE APPLICABLE MUST REMAIN WITHIN DIMENSIONS		THIS DRAWING CONTAINS INFORMATION THAT IS PROPRIETARY TO MOLEX INCORPORATED AND SHOULD NOT BE USED WITHOUT WRITTEN PERMISSION			
C1	REV								

FAMILY	GENDER	SEALING	PLATING	PART NUMBER	PAYOFF DIRECTION	GRIP CODE	WIRE SIZES*	A ±0.30	B ±0.30	C ±0.30	D ±0.30	SPECIAL CHARACTERISTICS
MX150	RECEPTACLE	MAT SEAL	Sn	33012-2001	RIGHT (B)	14	16/14AWG	3.9	4.4	1.7	1.6	HIGH PERFORMANCE Sn
				33012-3001	LEFT (D)		1.50-2.00mm ²					
				33012-2002	RIGHT (B)	18	20/18AWG	3.3	3.1	1.3	1.4	
				33012-3002	LEFT (D)		0.75-1.00mm ²					
				33012-2003	RIGHT (B)	22	22AWG	2.5	2.6	0.9	1.0	
				33012-3003	LEFT (D)							
			33012-2004	RIGHT (B)	M3	0.35-0.50mm ²	2.5	2.7	0.9	1.54 ±0.1		
			33012-3004	LEFT (D)								
			33001-2003	RIGHT (B)	14	16/14AWG	3.9	4.4	1.7	1.6	HIGH PERFORMANCE Au	
			33001-3003	LEFT (D)		1.50-2.00mm ²						
			33001-2004	RIGHT (B)	18	20/18AWG	3.3	3.1	1.3	1.4		
			33001-3004	LEFT (D)		0.75-1.00mm ²						
			33001-2005	RIGHT (B)	22	22AWG	2.5	2.6	0.9	1.0		
			33001-3005	LEFT (D)								
			33001-2006	RIGHT (B)	M3	0.35-0.50mm ²	2.5	2.7	0.9	1.54 ±0.1		
			33001-3006	LEFT (D)								
			33001-4001	RIGHT (B)	14	16/14AWG	3.9	4.4	1.7	1.6	HIGH PERFORMANCE Ag	
			33001-5001	LEFT (D)		1.50-2.00mm ²						
33001-4002	RIGHT (B)	18	20/18AWG	3.3	3.1	1.3	1.4					
33001-5002	LEFT (D)		0.75-1.00mm ²									
33001-4003	RIGHT (B)	22	22AWG	2.5	2.6	0.9	1.0					
33001-5003	LEFT (D)											
33001-4005	RIGHT (B)	M3	0.35-0.50mm ²	2.5	2.7	0.9	1.54 ±0.1					
33001-5005	LEFT (D)											

LARGE POLARIZATION RIB - NOT TO BE USED IN MX150 SEALED CONNECTORS

FAMILY	GENDER	SEALING	PLATING	PART NUMBER	PAYOFF DIRECTION	GRIP CODE	WIRE SIZES*	A ±0.30	B ±0.30	C ±0.30	D ±0.30	SPECIAL CHARACTERISTICS
MX150	RECEPTACLE	UNSEALED	Sn	33012-2021	RIGHT (B)	14	16/14AWG	3.9	4.4	1.7	1.6	HIGH PERFORMANCE Sn
				33012-3021	LEFT (D)		1.50-2.00mm ²					
				33012-2022	RIGHT (B)	18	20/18AWG	3.3	3.1	1.3	1.4	
				33012-3022	LEFT (D)		0.75-1.00mm ²					
				33012-2023	RIGHT (B)	22	22AWG	2.5	2.6	0.9	1.0	
				33012-3023	LEFT (D)		0.35-0.50mm ²					
			33001-2021	RIGHT (B)	14	16/14AWG	3.9	4.4	1.7	1.6	HIGH PERFORMANCE Au	
			33001-3021	LEFT (D)		1.50-2.00mm ²						
			33001-2022	RIGHT (B)	18	20/18AWG	3.3	3.1	1.3	1.4		
			33001-3022	LEFT (D)		0.75-1.00mm ²						
			33001-2023	RIGHT (B)	22	22AWG	2.5	2.6	0.9	1.0		
			33001-3023	LEFT (D)		0.35-0.50mm ²						
			33001-4021	RIGHT (B)	14	16/14AWG	3.9	4.4	1.7	1.6	HIGH PERFORMANCE Ag	
			33001-5021	LEFT (D)		1.50-2.00mm ²						
			33001-4022	RIGHT (B)	18	20/18AWG	3.3	3.1	1.3	1.4		
			33001-5022	LEFT (D)		0.75-1.00mm ²						
			33001-4023	RIGHT (B)	22	22AWG	2.5	2.6	0.9	1.0		
			33001-5023	LEFT (D)		0.35-0.50mm ²						

* REFERENCE AS-33012-002 FOR SPECIFIC WIRE TYPES



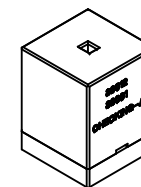
GROMMET SEAL / CAP CONFIGURATION TO MODIFY LARGE POLARIZATION RIB CAVITY TO ACCEPT SMALL POLARIZATION RIB APPLICATIONS

ENTER DESCRIPTION EC NO: JAU2017-1076 DRWINGENKATESHSHT2017/05/29 CHKDA: DHR 2017/05/29 APPR: TSMITH 2017/06/09	QUALITY SYMBOLS ▽=0 ▽=0 ▽=0	GENERAL TOLERANCES (UNLESS SPECIFIED) <table border="1"> <tr> <th></th> <th>mm</th> <th>INCH</th> </tr> <tr> <td>4 PLACES</td> <td>± ---</td> <td>± ---</td> </tr> <tr> <td>3 PLACES</td> <td>± ---</td> <td>± ---</td> </tr> <tr> <td>2 PLACES</td> <td>± 0.10</td> <td>± ---</td> </tr> <tr> <td>1 PLACE</td> <td>± 0.3</td> <td>± ---</td> </tr> <tr> <td>0 PLACE</td> <td>±</td> <td>±</td> </tr> </table>		mm	INCH	4 PLACES	± ---	± ---	3 PLACES	± ---	± ---	2 PLACES	± 0.10	± ---	1 PLACE	± 0.3	± ---	0 PLACE	±	±	DIMENSION STYLE MM ONLY	SCALE DESIGN UNITS METRIC	THIRD ANGLE PROJECTION
				mm	INCH																		
4 PLACES	± ---	± ---																					
3 PLACES	± ---	± ---																					
2 PLACES	± 0.10	± ---																					
1 PLACE	± 0.3	± ---																					
0 PLACE	±	±																					
DRAWN BY L. PULLIAM 2005/06/21	CHECKED BY A. DHR 2005/06/21	APPROVED BY B. MOSER 2005/06/22	TITLE MX150 RECEPTACLE TERMINAL	DOCUMENT NO. SD-33012-002	SHEET NO. 2 OF 5																		

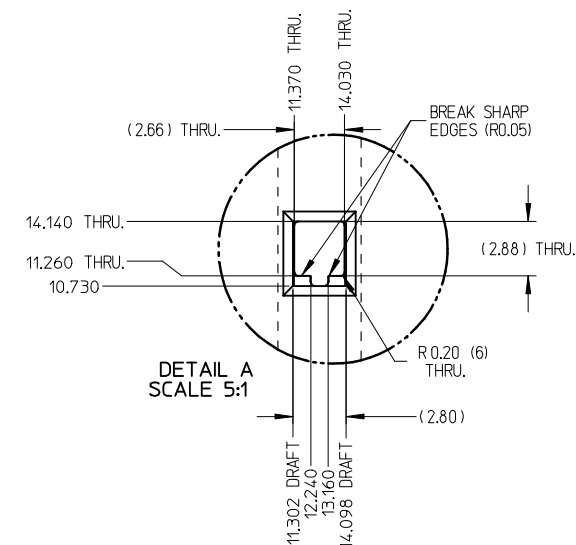
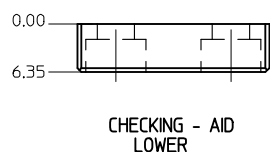
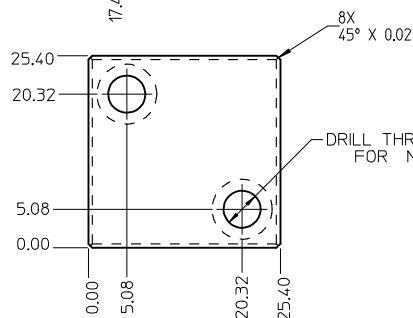
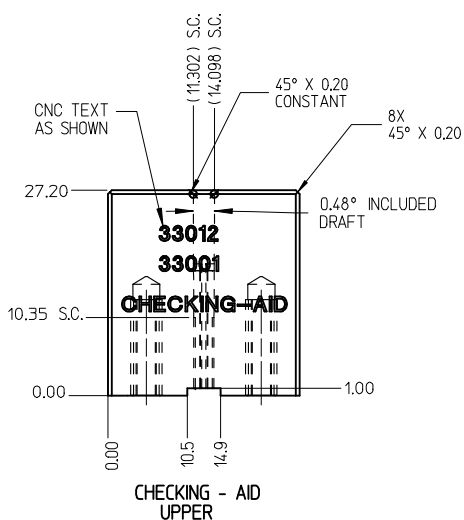
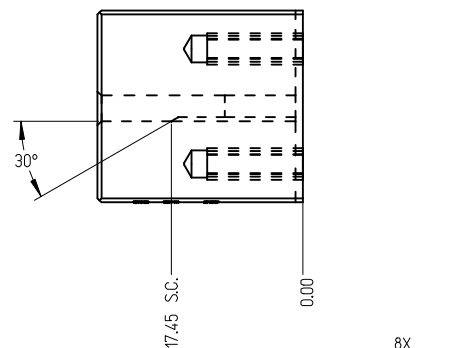
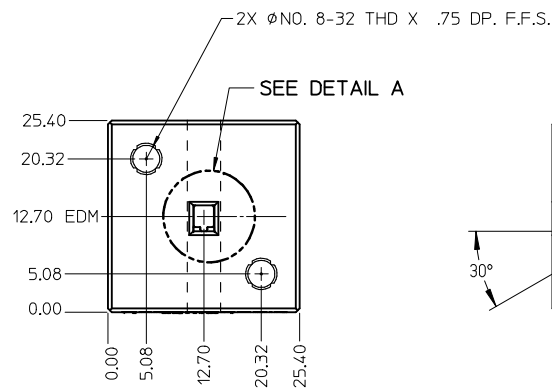
ANGULAR ± 3 °
 DRAFT WHERE APPLICABLE MUST REMAIN WITHIN DIMENSIONS

THIS DRAWING CONTAINS INFORMATION THAT IS PROPRIETARY TO MOLEX INCORPORATED AND SHOULD NOT BE USED WITHOUT WRITTEN PERMISSION

THIS CHECKING - AID IS FOR SMALL POLARIZATION RIB TERMINALS ONLY



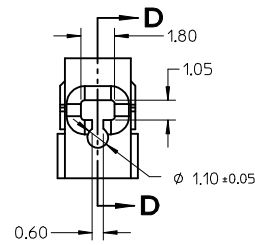
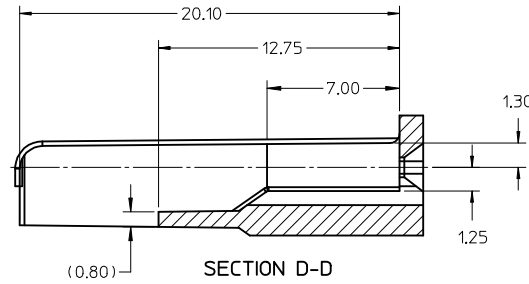
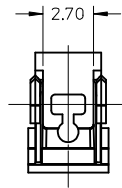
CHECKING - AID ASSEMBLY
SCALE 1:1



- CRIMP REQUIREMENTS:
1. CRIMP STRAIGHTNESS MUST BE MAINTAINED USE A KNOCKDOWN TOOL LOCATED AS SHOWN TERMINAL BOX MUST NOT BE DEFORMED
 2. AFTER CRIMPING, THE CRIMPED TERMINAL (AND UP TO 5 mm OF WIRE PAST THE INSULATOR (CUTOFF TAB) MUST FIT FREELY INTO THE CHECKING-AID SHOWN ON THIS PAGE
 3. FOR OTHER MECHANICAL REQUIREMENTS ON CRIMPED TERMINALS, REFER TO SAE/USCAR-21 (5-13-02) SECTIONS 4.2 (VISUAL INSPECTION), 4.2 (CROSS SECTION ANALYSIS) AND 4.4 (CONDUCTOR CRIMP PULLOUT FORCE)

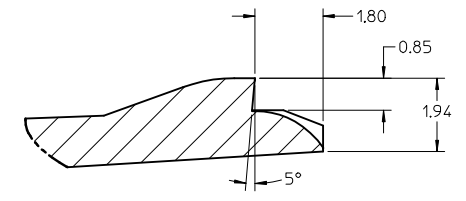
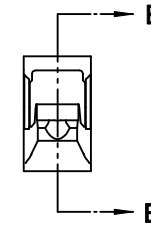
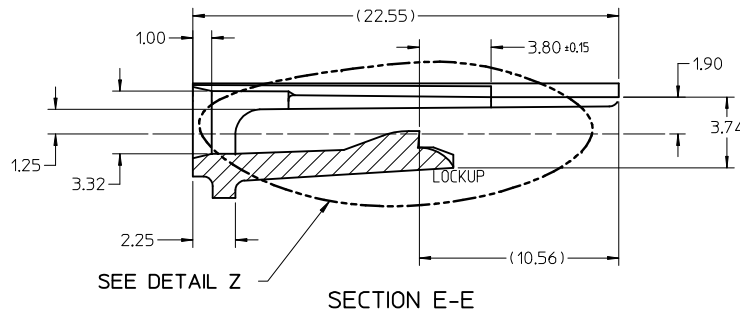
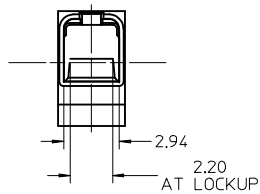
UPPER & LOWER
CHECKING-AID
A2 TOOL STEEL
HARDEN & GRIND
ROCKWELL "C" 56-58

ENTER DESCRIPTION EC NO: UAU2017-1076 DRW:WENKATESHSH2017/05/29 CHKD:A. DHIR 2017/05/29 APPR:T.JSMITH 2017/06/09	QUALITY SYMBOLS 	GENERAL TOLERANCES (UNLESS SPECIFIED)		DIMENSION STYLE MM ONLY	SCALE 2:1	DESIGN UNITS METRIC	THIRD ANGLE PROJECTION
		4 PLACES ± --- ± --- 3 PLACES ± --- ± --- 2 PLACES ± 0.10 ± --- 1 PLACE ± 0.3 ± --- 0 PLACE ± ±	mm INCH	DRAWN BY DATE L. PULLIAM 2005/06/21	CHECKED BY DATE A. DHIR 2005/06/21	MX150 RECEPTACLE TERMINAL	
C1	DESCRIPTION REVISION	ANGULAR ± 3 ° DRAFT WHERE APPLICABLE MUST REMAIN WITHIN DIMENSIONS		APPROVED BY DATE B. MOSER 2005/06/22	MATERIAL NO. SEE TABLE	DOCUMENT NO. SD-33012-002	SHEET NO. 3 OF 5
THIS DRAWING CONTAINS INFORMATION THAT IS PROPRIETARY TO MOLEX. INCORPORATED AND SHOULD NOT BE USED WITHOUT WRITTEN PERMISSION							

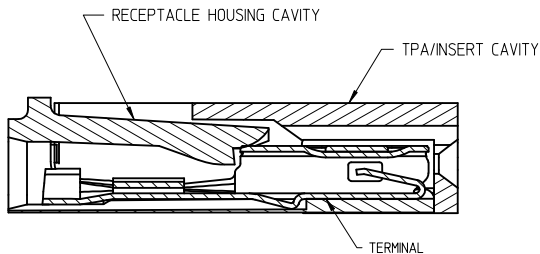


NOTES: UNLESS OTHERWISE SPECIFIED

1. TOLERANCES: LINEAR ± 0.10
ANGULAR $\pm 3^\circ$
2. ALL DRAFT WITHIN TOLERANCE.
3. MAX RADII ON ALL CORNERS SHOWN SHARP: 0.10
4. MAX FLASH PERMISSIBLE: 0.1
5. EJECTOR PIN MARKS PERMISSIBLE IF FLUSH TO 0.25 BELOW SURFACE.
6. MATERIAL: HOUSING/FINGER SPECIFICATION ENGINEERED FOR MATERIAL WITH THE FOLLOWING PROPERTIES:
A. FLEXURAL MODULUS = 4,500 TO 9,400 MPa
PER ASTM TEST D790
B. ELONGATION AT YIELD = 2.3% OR BETTER
PER ASTM TEST D638 TYPE V
7. CAVITY SPEC FOR USE ONLY WITH MOLEX RECEPTACLE
TERMINAL PART NUMBERS SPECIFIED ELSEWHERE ON THIS
DRAWING

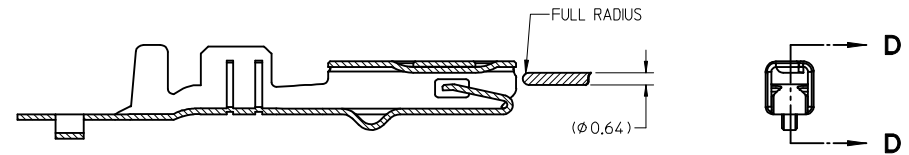
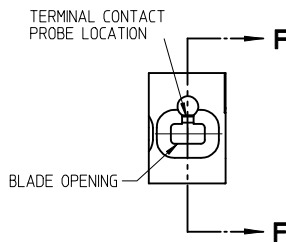


DETAIL Z
SCALE 20:1



SECTION F-F

RECEPTACLE CAVITY ASSEMBLED VIEWS
FOR SMALL POLARIZATION RIB APPLICATIONS
FIG. 1



SECTION D-D
FOR LARGE POLARIZATION RIB APPLICATIONS
FIG. 2

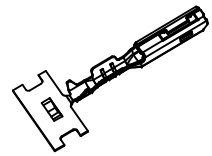
PROBING DOWN THE
THROAT MUST USE
THIS TERMINAL PROBE

FOR PROBING INFORMATION REFERENCE
MOLEX MX150 APPLICATION SPEC AS-33472-100

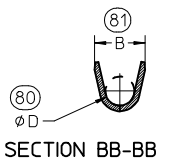
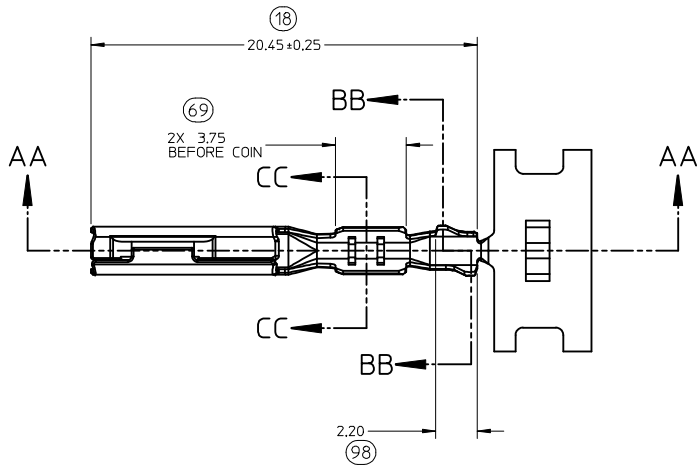
PREFERRED PROBING LOCATION
IS NOT ON SPRING MEMBER

IF ELECTRICAL CONTINUITY PROBE
TOUCHES SPRING MEMBER USE
PROBING AS SHOWN IN FIG. 2

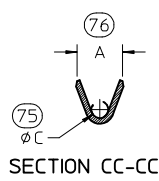
ENTER DESCRIPTION EC NO: UAU2017-1076 DRAWN: VENKATESHSH/2017/05/29 CHKD: A. DHIR 2017/05/29 APPR: T.JSMITH 2017/06/09	QUALITY SYMBOLS ▽=0 ▽=0 ▽=0	GENERAL TOLERANCES (UNLESS SPECIFIED)		DIMENSION STYLE MM ONLY	SCALE 5:1	DESIGN UNITS METRIC	THIRD ANGLE PROJECTION	
		4 PLACES ± --- ± ---	3 PLACES ± --- ± ---	2 PLACES ± 0.10 ± ---	1 PLACE ± 0.3 ± ---	0 PLACE ± ±	ANGULAR ± 3°	DRAWN BY L. PULLIAM 2005/06/21
REV: C1	DESCRIPTION	DRAFT WHERE APPLICABLE MUST REMAIN WITHIN DIMENSIONS		SIZE C	MATERIAL NO. SEE TABLE	DOCUMENT NO. SD-33012-002	SHEET NO. 4 OF 5	



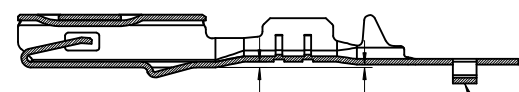
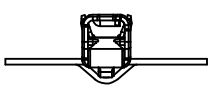
ISO VIEW
SCALE 2:1



SECTION BB-BB



SECTION CC-CC



SECTION AA-AA
M3 GRIP CODE TERMINAL
SEE TABLE (SHEET 2) FOR PART NUMBERS

CARRIER BUMP DIRECTION
POINTS DOWN FOR TIN PLATED TERMINAL
POINTS UP FOR PRECIOUS METAL PLATED TERMINAL

ENTER DESCRIPTION EC NO: UAU2017-1076 DRW: NIKATESH 2017/05/29 CHKD: A. DHIR 2017/05/29 APPR: T. SMITH 2017/06/09	QUALITY SYMBOLS ▽=0 ▽=0 ▽=0	GENERAL TOLERANCES (UNLESS SPECIFIED)		DIMENSION STYLE MM ONLY	SCALE 5:1	DESIGN UNITS METRIC	THIRD ANGLE PROJECTION	
		4 PLACES ± --- ± ---	DRAWN BY L. PULLIAM	DATE 2005/06/21	TITLE MX150 RECEPTACLE TERMINAL			
		3 PLACES ± --- ± ---	CHECKED BY A. DHIR	DATE 2005/06/21	MOLEX INCORPORATED			
		2 PLACES ± 0.10 ± ---	APPROVED BY B. MOSER	DATE 2005/06/22	MATERIAL NO. SEE TABLE	DOCUMENT NO. SD-33012-002	SHEET NO. 5 OF 5	
1 PLACE ± 0.3 ± ---	ANGULAR ± 3°		DRAFT WHERE APPLICABLE MUST REMAIN WITHIN DIMENSIONS			THIS DRAWING CONTAINS INFORMATION THAT IS PROPRIETARY TO MOLEX INCORPORATED AND SHOULD NOT BE USED WITHOUT WRITTEN PERMISSION		