

Data Sheet

PT115xxHBBN

Page 1/5

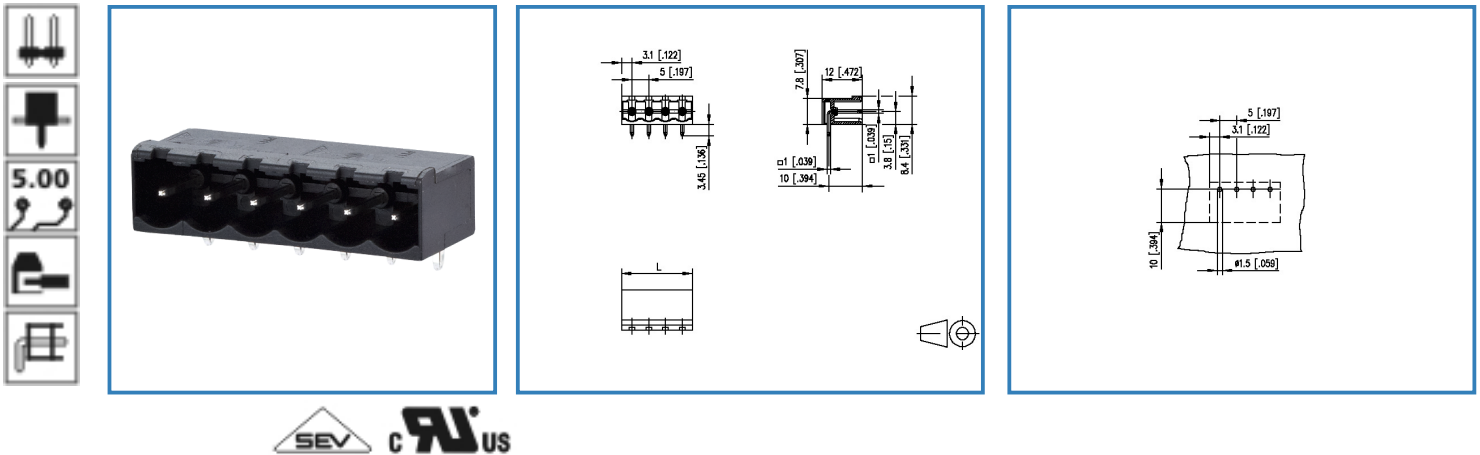
P/N

313301xx

xx=number of poles

2017/01/24

Illustration



see enlarged drawing at the end of the document

Product specification

- pin header, solderable
- centerline 5.00 mm, direction of connection 90°
- closed ends
- color black
- codeable

Data Sheet

PT115xxHBBN

Technical Data

General Data

Solder pin length	3.45 mm		
min. number of poles	2		
max. number of poles	24		
Insulating material class	CTI 600		
clearance/creepage dist.	4 mm		
protection category	IP 00		
Overvoltage category	III	III	II
Pollution degree	3	2	2
Rated voltage	320 V	800 V	800 V
Rated test voltage	4 kV	4.0 kV	4 kV

Approvals



300 / 15



13.5 A / 320 V / 4 kV / 3 / IEC 61984

Material

insulating material	PA66
flammability class	V0
Glow-Wire Flammability GWFI	960
Glow-Wire Flammability GWIT	775
contact pin material	CuFe
contact pin surface	Ni + Ag

Climatic properties

upper limit temperature	105 °C
lower limit temperature	-40 °C

General

solderability	Acc. to JEDEC JESD22-B102E 245°C/5s
Tolerance	ISO 2768 -mH



Data Sheet

PT115xxHBBN

Page 3/5

P/N

313301xx

xx=number of poles

2017/01/24

Matching Part to

P/N	Product name
313131	RP035xxHBLC Typ 313
313141	RP035xxHBLD Typ 314
313491	RP015xxVBLC Typ 349
313501	RP015xxSBLC Typ 350
ASP045	SP045xxVBNC ASP045
SP065XXVBNC	SP065xxVBNC
SP065XXVBPC	SP065xxVBPC
SP995XXVBNC	SP995xxVBNC

Accessories

P/N	Product name
700024-01-9	700024
700523-0157 (on request)	Geh_Kappe_swg_Block
700523-0257 (on request)	Geh_Kappe_swg_Block



Data Sheet

PT115xxHBBN

Page 4/5

P/N

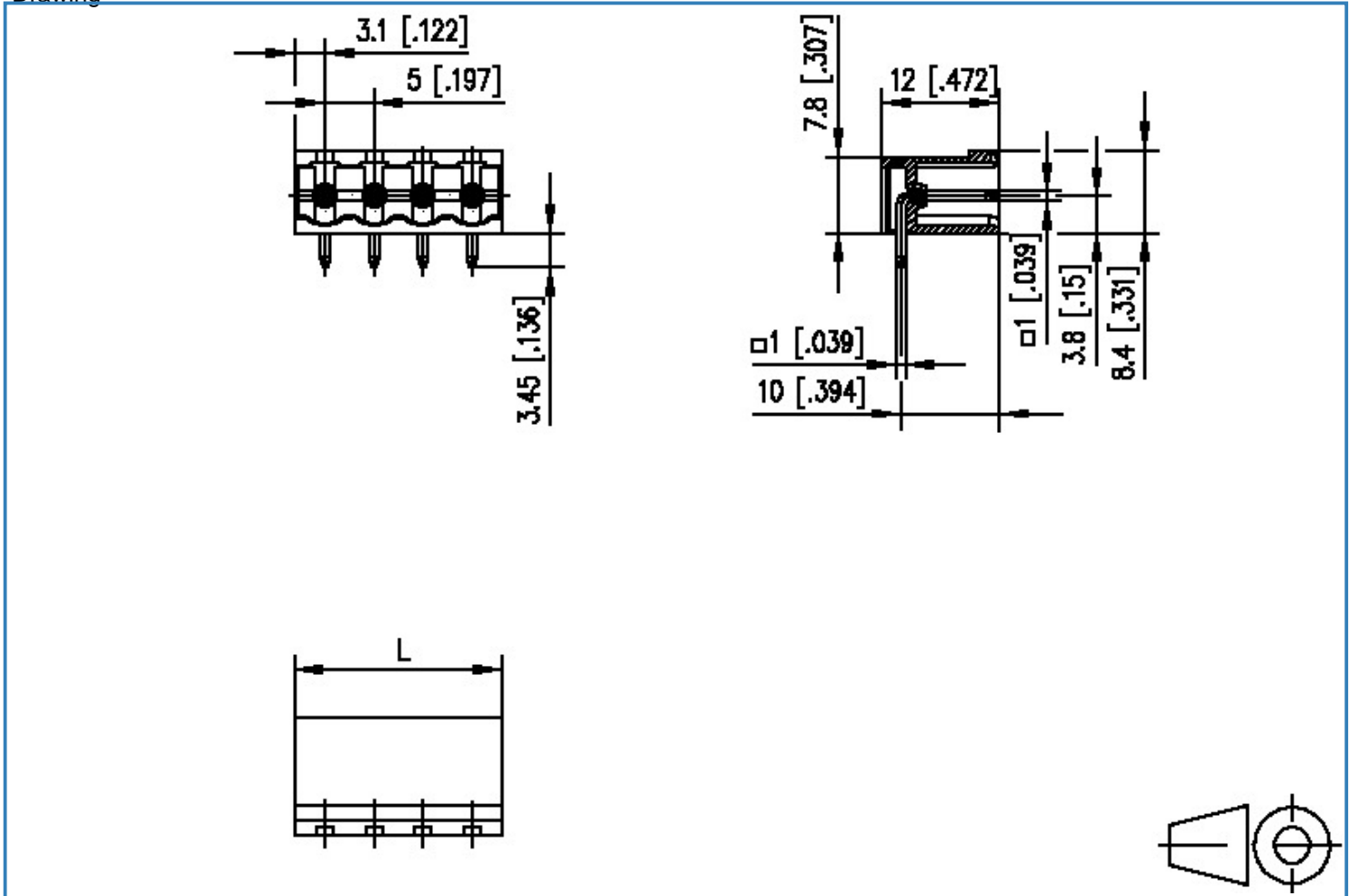
313301xx

xx=number of poles

2017/01/24

Illustration

Drawing



$$L = (\text{pole size} - 1) \times \text{centerline} + 6.2 [0.244]$$



Data Sheet

PT115xxHBBN

Page 5/5

P/N

313301xx

xx=number of poles

2017/01/24

PCB Layout

