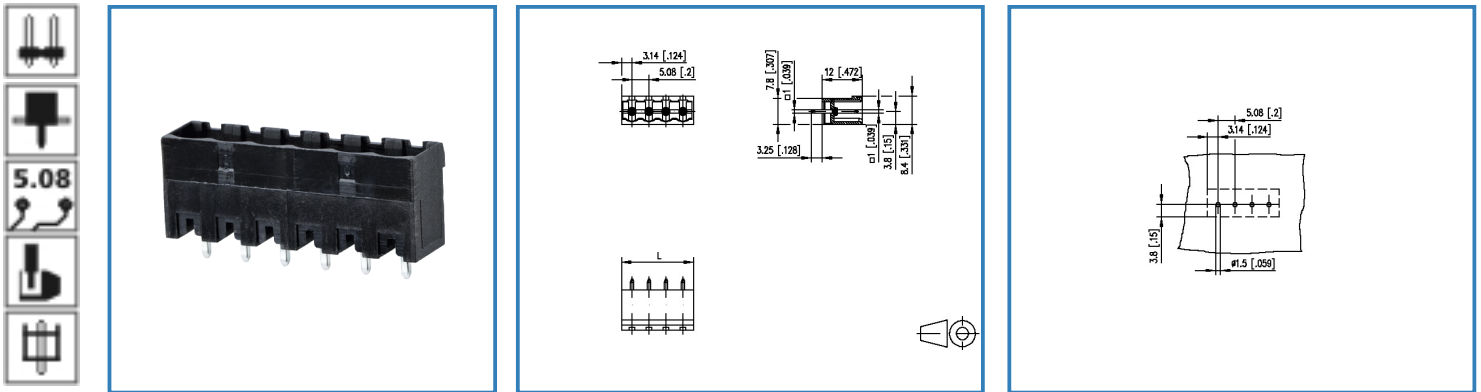


# Data Sheet

## PT116xxVBBN

### Illustration



see enlarged drawing at the end of the document

### Product specification

- pin header, solderable
- centerline 5.08 mm, direction of connection vertical 0°
- closed ends
- color black
- codeable

# Data Sheet



## PT116xxVBBN

### Technical Data

#### General Data

Solder pin length	3.25 mm		
min. number of poles	2		
max. number of poles	24		
Insulating material class	CTI 600		
clearance/creepage dist.	4.08 mm		
protection category	IP 00		
Overvoltage category	III	III	II
Pollution degree	3	2	2
Rated voltage	320.0 V	800.0 V	800.0 V
Rated test voltage	4.0 kV	4.0 kV	4.0 kV

#### Approvals

 V / A	300 / 15
	13.5 A / 320 V / 4 kV / 3 /

#### Material

insulating material	PA66
flammability class	V0
Glow-Wire Flammability GWFI	960 °C acc. to IEC 60695-2-12
Glow-Wire Flammability GWIT	775 °C acc. to IEC 60695-2-13
contact pin material	CuFe
contact pin surface	Ni + Ag

#### Climatic properties

upper limit temperature	105 °C
lower limit temperature	-40 °C

#### General

solderability	Acc. to JEDEC JESD22-B102E 245°C/5s
Tolerance	ISO 2768 -mH



# Data Sheet

## PT116xxVBBN

Page 3/5

P/N

312201xx

xx=number of poles

2018/02/02

### Matching Part to

P/N	Product name
312131	RP036xxHBLC Typ 213
312141	RP036xxHBLD Typ 214
312491	RP016xxVBLC Typ 249
312492	RP01AxxVBLC Typ 249
312501	RP016xxSBLC Typ 250
ASP046	SP046xxVBNC ASP046
SP066XXVBNC	SP066xxVBNC
SP066XXVBPC	SP066xxVBPC

### Accessories

P/N	Product name
700024-01-9	700024
700523-0157 (on request)	Geh_Kappe_swg_Block

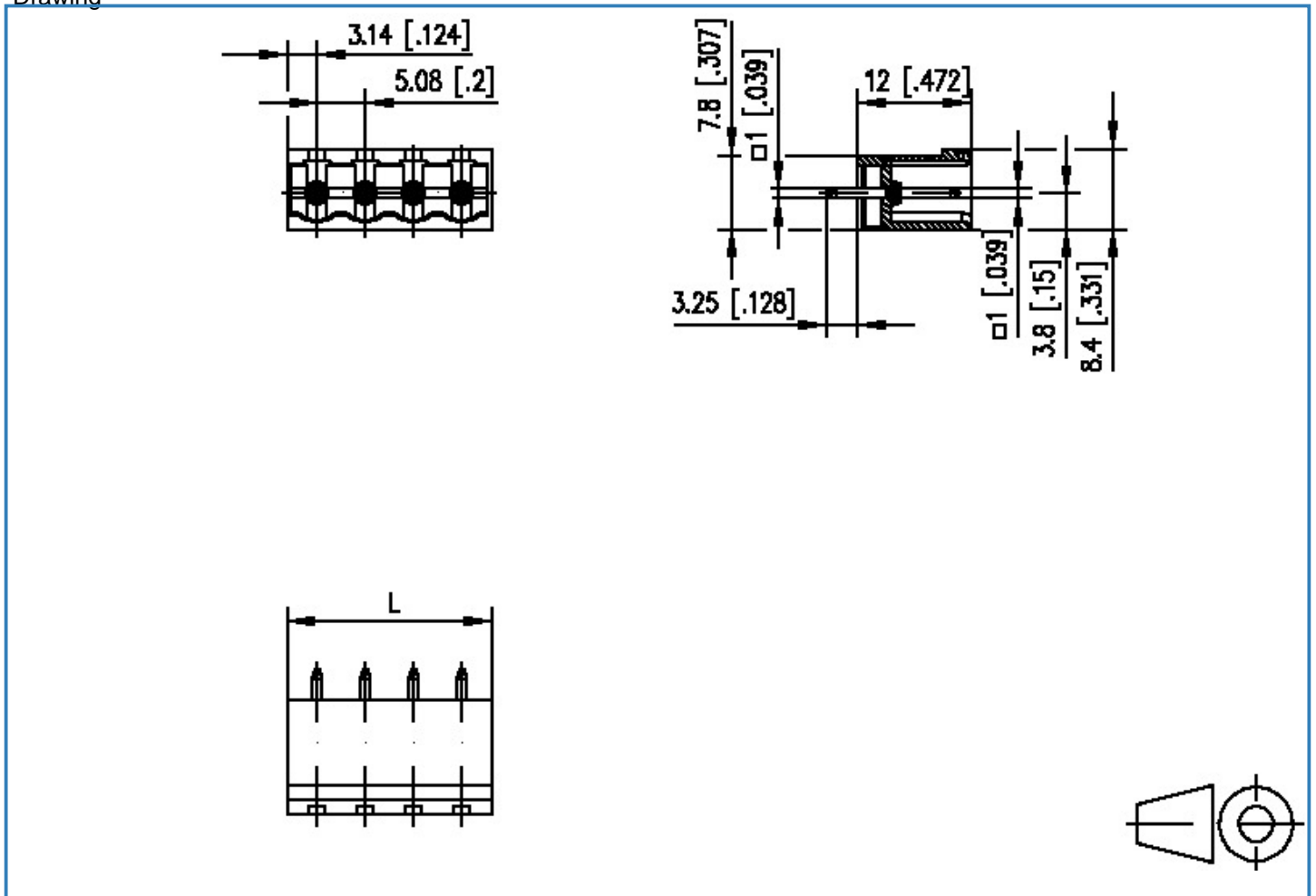


# Data Sheet

## PT116xxVBBN

### Illustration

Drawing



$$L = (\text{pole size} - 1) \times \text{centerline} + 6.28 [0.247]$$

**Data Sheet**  
**PT116xxVBBN**

Page 5/5

P/N

312201xx

xx=number of poles

2018/02/02

PCB Layout

